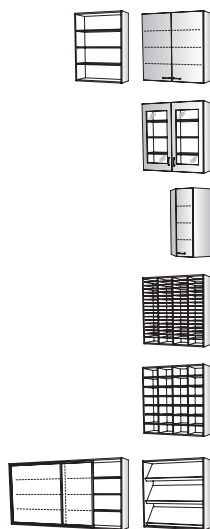


## Table of Contents

Design Information.....2-5

### HUTCH



Shelf .....6

Display .....7

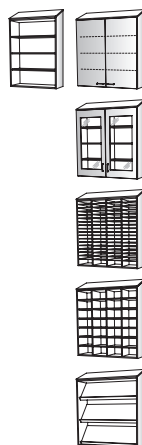
Corner .....8

Folder .....9

Mail Cubicle.....9

Specialty .....10

### SLOPE HUTCH



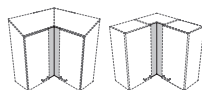
Shelf .....11

Display .....12

Folder .....13

Mail Cubicle.....14

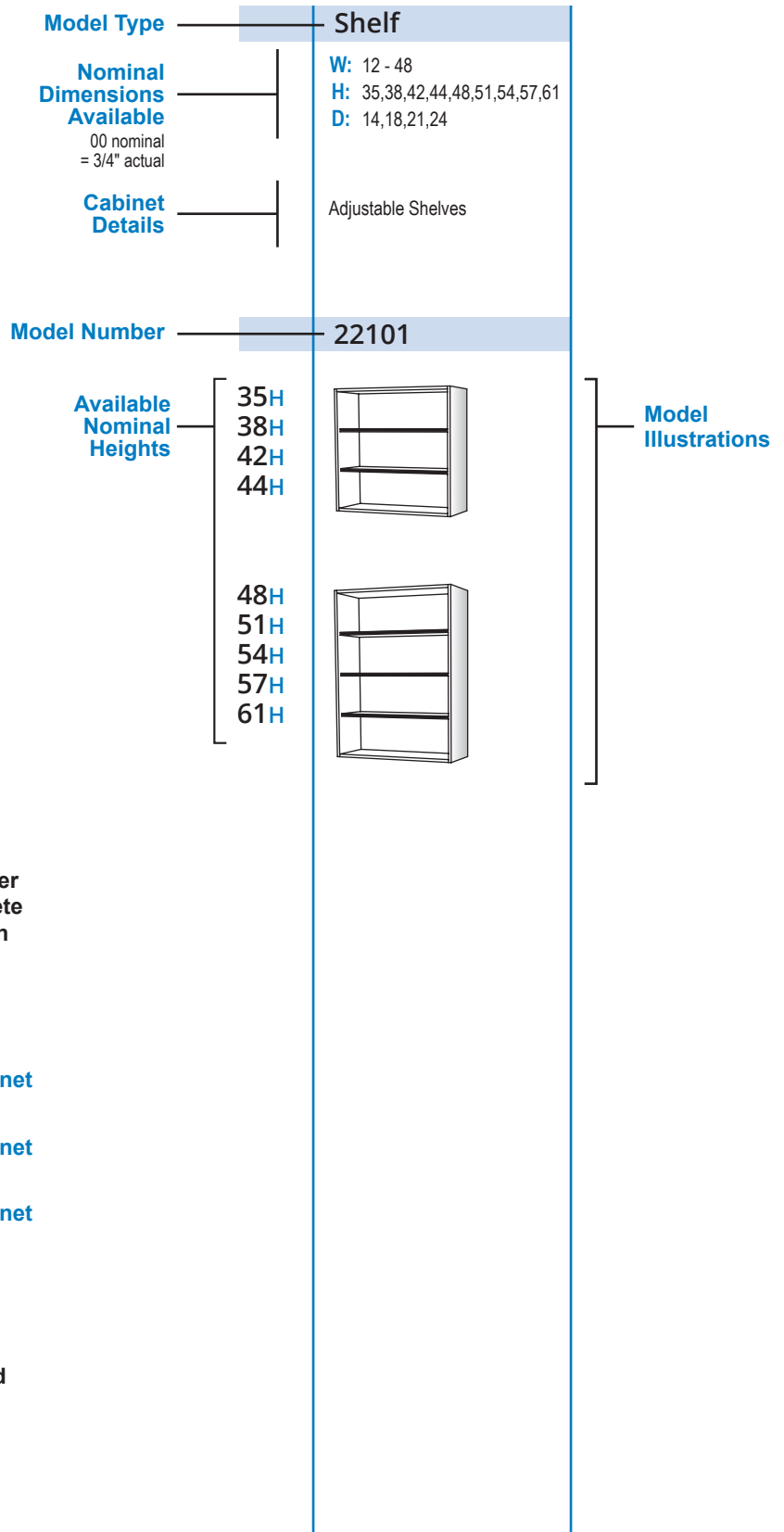
Specialty .....14



**INSTALLATION ACCESSORIES.....15-16**

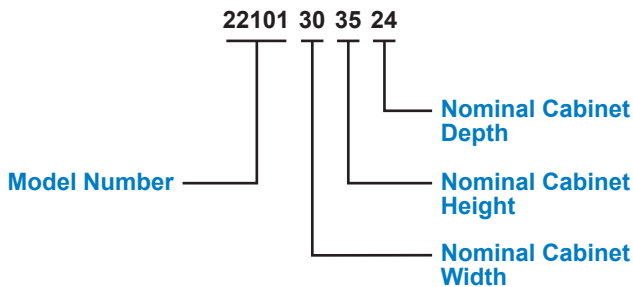
# HUTCH

## Model Number System



### MODEL NUMBER DEFINED

Cabinets are defined using the 5-digit model number associated with the design illustration. The complete unit definition requires the width, height and depth suffix to properly identify the cabinet desired.

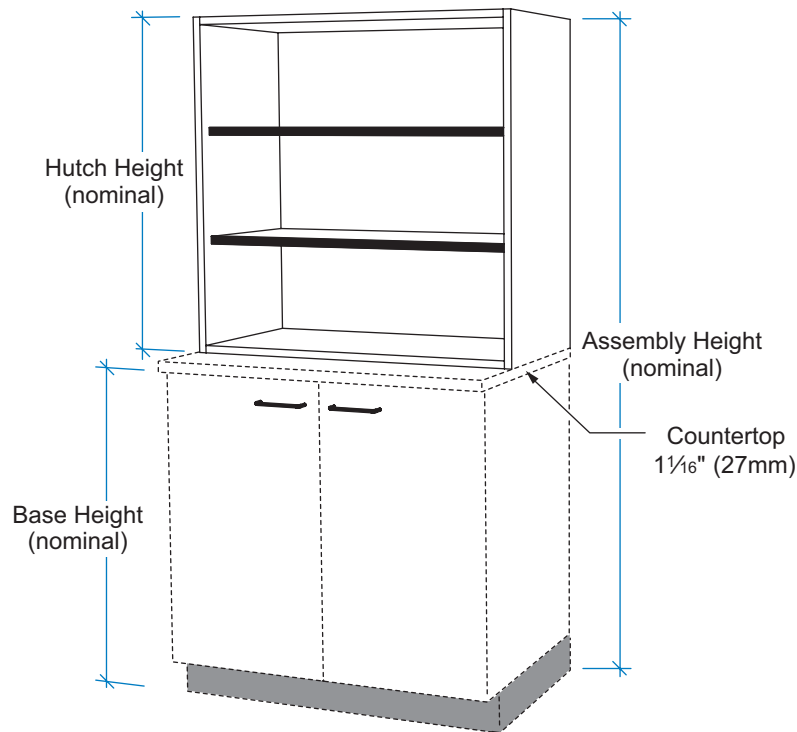


### HOW TO ORDER

To order a cabinet, provide the model number, followed by the desired nominal width, height and depth, chosen from the available sizes listed.

For example, to order a 22101 cabinet that is 30" wide by 35" high by 24" deep, specify:  
**22101303524**

**HUTCH / BASE ASSEMBLIES**



Hutch design is for stacking on base unit with countertop thickness of 1 1/16" (27mm). Actual hutch heights are provided based on overall total height of elevation with the base and special thickness countertop combination used.

				With 1 1/16" top (27mm)		
Assembly Height* (nominal)	Assembly Height* (actual)		Base Height (nominal)	Hutch Height (nominal)	Hutch Height (actual)	
inches	inches	mm	inches	inches	inches	mm
72	71 9/16	1817	35	35	35 1/2	901
72	71 9/16	1817	32	38	38	965
72	71 9/16	1817	29	42	41 3/4	1061
78	77 13/16	1977	41	35	35 1/2	901
78	77 13/16	1977	35	42	41 3/4	1061
78	77 13/16	1977	32	44	44 5/16	1125
78	77 13/16	1977	29	48	48 1/16	1221
84	84 1/8	2137	41	42	41 3/4	1061
84	84 1/8	2137	35	48	48 1/16	1221
84	84 1/8	2137	32	51	50 9/16	1285
84	84 1/8	2137	29	54	54 3/8	1381
90	90 7/16	2297	41	48	48 1/16	1221
90	90 7/16	2297	35	54	54 3/8	1381
90	90 7/16	2297	32	57	56 7/8	1445
90	90 7/16	2297	29	61	60 1/16	1541

\* Assembly heights based on using 1 1/16" (27mm) top.

# HUTCH

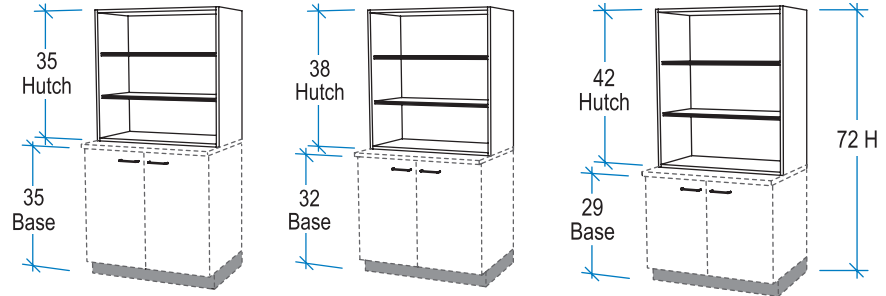
## Design Information

Typical hutch combinations are shown as the base and hutch unit nominal heights with a 1/16" (27mm) countertop thickness.



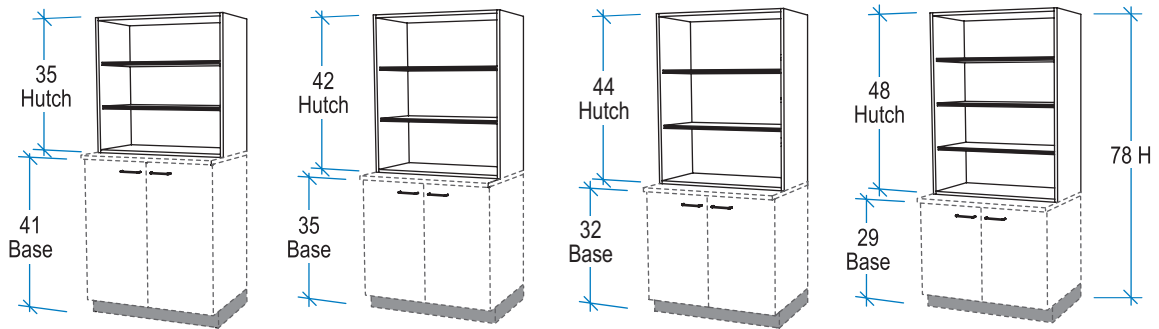
### 72 HIGH ASSEMBLY

Actual Height  
71 9/16" (1817mm)



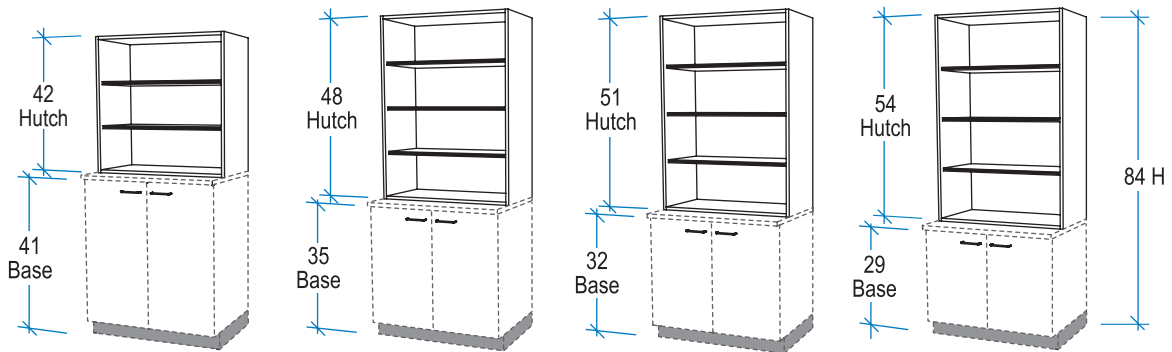
### 78 HIGH ASSEMBLY

Actual Height  
77 13/16" (1977mm)



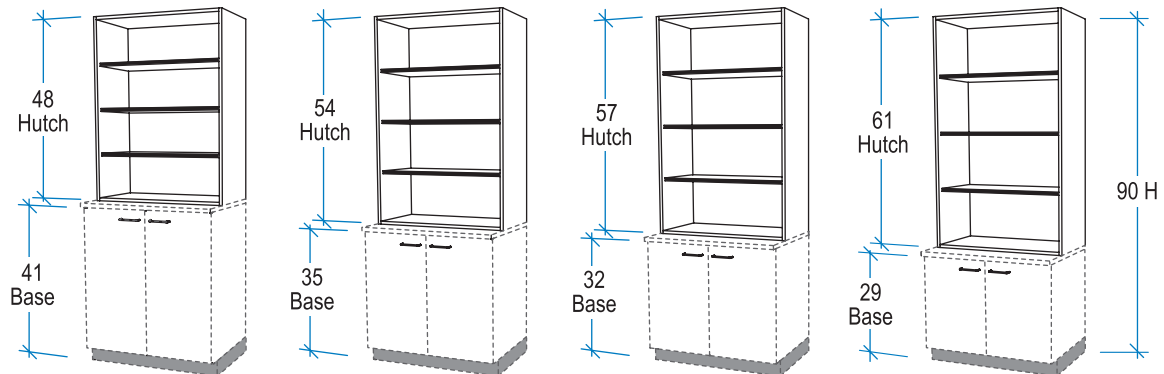
### 84 HIGH ASSEMBLY

Actual Height  
84 1/8" (2137mm)



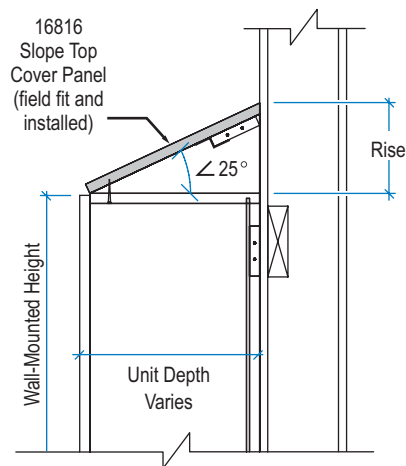
### 90 HIGH ASSEMBLY

Actual Height  
90 7/16" (2297mm)



### SLOPE TOP

Stevens Advantage slope top units are designed with integral slope ends, eliminating the need for on-the-job fabrication of slope structures. Overlay slope cover panels are shipped with length and end edging for final fit and sizing as installation field conditions may require. Stevens Advantage slope design incorporates a full 3/4" thick slope top on a 25° constant rising slope. Slope top options are available on nominal cabinet depths of 14", 18", 21", and 24". Slope tops not recommended for wall-mounted height above 84", due to possible ceiling interferences. 16816 Slope Top Cover Panels must be specified and ordered separately (not included with cabinet units).



Nominal Unit Depth	Rise	
	inches	mm
14	7	177.9
18	8 ¾	222.6
21	10 ¾	262.8
24	11 ½	292.8

# HUTCH

## Shelf



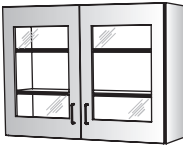

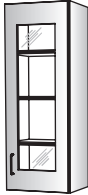



Hutch units are built for stacking on a countertop surface. Actual hutch heights are based on overall total height of elevation with the base and countertop combination used. Standard 3" width increments available where range is shown. 1" increments require upcharge.

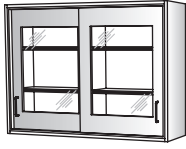
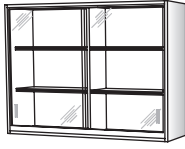






Shelf				
	<p><b>W:</b> 12 - 48 <b>H:</b> 35,38,42,44,48,51,54,57,61 <b>D:</b> 14,18,21,24</p> <p>Adjustable Shelves</p>	<p><b>W:</b> 12 - 24 <b>H:</b> 35,38,42,44,48,51,54,57,61 <b>D:</b> 14,18,21,24</p> <p>Right Hinge Door Adjustable Shelves</p>	<p><b>W:</b> 12 - 24 <b>H:</b> 35,38,42,44,48,51,54,57,61 <b>D:</b> 14,18,21,24</p> <p>Left Hinge Door Adjustable Shelves</p>	<p><b>W:</b> 24 - 48 <b>H:</b> 35,38,42,44,48,51,54,57,61 <b>D:</b> 14,18,21,24</p> <p>Doors Adjustable Shelves</p>
	<b>22101</b>	<b>22120</b>	<b>22121</b>	<b>22129</b>
<p>35H 38H 42H 44H</p>				
<p>48H 51H 54H 57H 61H</p>				

Shelf				
	<p><b>W:</b> 39 - 48 <b>H:</b> 35,38,42,44,48,51,54,57,61 <b>D:</b> 14,18,21,24</p> <p>Center Divider Adjustable Shelves</p>	<p><b>W:</b> 39 - 48 <b>H:</b> 35,38,42,44,48,51,54,57,61 <b>D:</b> 14,18,21,24</p> <p>Doors Center Divider Adjustable Shelves</p>	<p><b>W:</b> 36 - 48 <b>H:</b> 35,38,42,44,48,51,54,57,61 <b>D:</b> 14,18,21,24</p> <p>Sliding Doors Center Divider Adjustable Shelves</p>	<p><b>W:</b> 30,36,42,48 <b>H:</b> 35,38,42,44,48,51,54,57,61 <b>D:</b> 18,21,24,29</p> <p>Pocket Doors Adjustable Shelves</p>
	<b>22138</b>	<b>22181</b>	<b>22150</b>	<b>22140</b>
<p>35H 38H 42H 44H</p>				
<p>48H 51H 54H 57H 61H</p>				

Hutch units are built for stacking on a countertop surface. Actual hutch heights are based on overall total height of elevation with the base and countertop combination used.

Display				
	<p><b>W:</b> 15,18,21,24 <b>H:</b> 35,38,42,44,48,51,54,57,61 <b>D:</b> 14,18,21,24</p> <p>Right Hinge Display Door Adjustable Shelves</p>	<p><b>W:</b> 15,18,21,24 <b>H:</b> 35,38,42,44,48,51,54,57,61 <b>D:</b> 14,18,21,24</p> <p>Left Hinge Display Door Adjustable Shelves</p>	<p><b>W:</b> 30,36,42,48 <b>H:</b> 35,38,42,44,48,51,54,57,61 <b>D:</b> 14,18,21,24</p> <p>Display Doors Adjustable Shelves</p>	<p><b>W:</b> 30,36,42,48 <b>H:</b> 35,38,42,44,48,51,54,57,61 <b>D:</b> 14,18,21,24</p> <p>Display Doors Center Divider Adjustable Shelves</p>
	<b>22130</b>	<b>22131</b>	<b>22136</b>	<b>22182</b>
35H 38H 42H 44H				
48H 51H 54H 57H 61H				

Display			
	<p><b>W:</b> 30,36,42,48 <b>H:</b> 35,38,42,44,48,51,54,57,61 <b>D:</b> 14,18,21,24</p> <p>Sliding Display Doors Center Divider Adjustable Shelves</p>	<p><b>W:</b> 30,36,42,48 <b>H:</b> 35,38,42,44,48,51,54,57,61 <b>D:</b> 14,18,21,24</p> <p>Sliding Glass Doors Center Divider Adjustable Shelves</p>	<p><b>W:</b> 30,36,42,48 <b>H:</b> 35,38,42,44,48,51,54,57,61 <b>D:</b> 18,21,24,29</p> <p>Pocket Display Doors Adjustable Shelves</p>
	<b>22154</b>	<b>22158</b>	<b>22141</b>
35H 38H 42H 44H			
48H 51H 54H 57H 61H			

# HUTCH

## Corner

Hutch units are built for stacking on a countertop surface. Actual hutch heights are based on overall total height of elevation with the base and countertop combination used.



### Corner - Diagonal

**14" DEEP:**

**W:** 25

**H:** 35,38,42,44,48,51,54,57,61

**D:** 14

**18" DEEP:**

**W:** 28

**H:** 35,38,42,44,48,51,54,57,61

**D:** 18

Right Hinge Door  
Fixed Shelves

**14" DEEP:**

**W:** 25

**H:** 35,38,42,44,48,51,54,57,61

**D:** 14

**18" DEEP:**

**W:** 28

**H:** 35,38,42,44,48,51,54,57,61

**D:** 18

Left Hinge Door  
Fixed Shelves

### 22211

### 22212

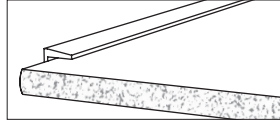
35H  
38H  
42H  
44H



48H  
51H  
54H  
57H  
61H




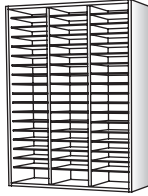
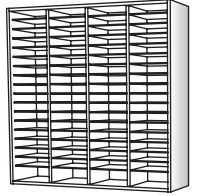




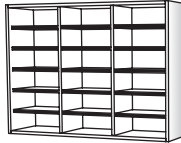
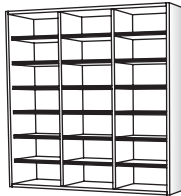
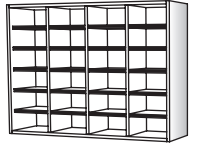
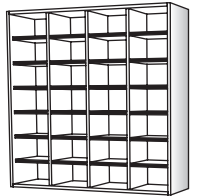


1/4"-thick folder shelves are held securely with translucent, low profile shelf supports. All edges unfinished. Front edge unfinished and shaped.

## Folder / Mail Cubicle

Hutch units are built for stacking on a countertop surface. Actual hutch heights are based on overall total height of elevation with the base and countertop combination used.

Folder	
<p><b>W:</b> 21,24,30,36 <b>H:</b> 35,38,42,44,48,51,54,57,61 <b>D:</b> 14,18,21,24</p> <p>1/4" Folder Shelves, Adjustable and Removable on 1 1/4" Centers Compartments 2 1/4"H min.</p>	<p><b>W:</b> 30,36,42,48 <b>H:</b> 35,38,42,44,48,51,54,57,61 <b>D:</b> 14,18,21,24</p> <p>1/4" Folder Shelves, Adjustable and Removable on 1 1/4" Centers Compartments 2 1/4"H min.</p>
<p><b>W:</b> 42,48 <b>H:</b> 35,38,42,44,48,51,54,57,61 <b>D:</b> 14,18,21,24</p> <p>1/4" Folder Shelves, Adjustable and Removable on 1 1/4" Centers Compartments 2 1/4"H min.</p>	
<p><b>22241</b></p> <p><b>35H:</b> 26 Compts. <b>38H:</b> 28 Compts. <b>42H:</b> 32 Compts. <b>44H:</b> 34 Compts. <b>48H:</b> 36 Compts. <b>51H:</b> 38 Compts. <b>54H:</b> 42 Compts. <b>57H:</b> 44 Compts. <b>61H:</b> 46 Compts.</p> 	<p><b>22242</b></p> <p><b>35H:</b> 39 Compts. <b>38H:</b> 42 Compts. <b>42H:</b> 48 Compts. <b>44H:</b> 51 Compts. <b>48H:</b> 54 Compts. <b>51H:</b> 57 Compts. <b>54H:</b> 63 Compts. <b>57H:</b> 66 Compts. <b>61H:</b> 69 Compts.</p> 
<p><b>22243</b></p> <p><b>35H:</b> 52 Compts. <b>38H:</b> 56 Compts. <b>42H:</b> 64 Compts. <b>44H:</b> 68 Compts. <b>48H:</b> 72 Compts. <b>51H:</b> 76 Compts. <b>54H:</b> 84 Compts. <b>57H:</b> 88 Compts. <b>61H:</b> 92 Compts.</p> 	

Mail Cubicle	
<p><b>Compt. Widths</b> 21W = 9 3/8" 24W = 10 7/8" 30W = 13 7/8" 36W = 16 7/8"</p> <p><b>W:</b> 21,24,30,36 <b>H:</b> 35,38,42,44,48,51,54,57,61 <b>D:</b> 14,18,21,24</p> <p>Open, One Face 3/4" Adjustable, Equally Spaced Cubicle Shelves Compartment Spacing 3"H min.</p>	<p><b>Compt. Widths</b> 30W = 9" 36W = 11" 42W = 13" 48W = 15"</p> <p><b>W:</b> 30,36,42,48 <b>H:</b> 35,38,42,44,48,51,54,57,61 <b>D:</b> 14,18,21,24</p> <p>Open, One Face 3/4" Adjustable, Equally Spaced Cubicle Shelves Compartment Spacing 3"H min.</p>
<p><b>Compt. Widths</b> 42W = 9 1/2" 48W = 11"</p> <p><b>W:</b> 42,48 <b>H:</b> 35,38,42,44,48,51,54,57,61 <b>D:</b> 14,18,21,24</p> <p>Open, One Face 3/4" Adjustable, Equally Spaced Cubicle Shelves Compartment Spacing 3"H min.</p>	
<p><b>22250</b></p> <p><b>35H</b> <b>38H</b> <b>42H</b> <b>44H:</b> 12 Compts.</p>  <p><b>48H</b> <b>51H</b> <b>54H</b> <b>57H</b> <b>61H:</b> 14 Compts.</p> 	<p><b>22251</b></p> <p><b>35H</b> <b>38H</b> <b>42H</b> <b>44H:</b> 18 Compts.</p>  <p><b>48H</b> <b>51H</b> <b>54H</b> <b>57H</b> <b>61H:</b> 21 Compts.</p> 
<p><b>22252</b></p> <p><b>35H</b> <b>38H</b> <b>42H</b> <b>44H:</b> 24 Compts.</p>  <p><b>48H</b> <b>51H</b> <b>54H</b> <b>57H</b> <b>61H:</b> 28 Compts.</p> 	

# HUTCH

## Specialty

Standard 3" width increments available where range is shown. 1" increments require upcharge.



### Specialty

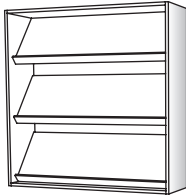
#### Magazine Shelf

**W:** 24 - 48  
**H:** 48,51,54,57,61  
**D:** 14,18,21,24

3 Magazine Shelves

22165

48H  
 51H  
 54H  
 57H  
 61H



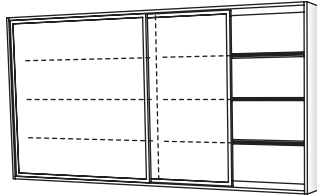
#### Instructor White Board

**W:** 72,96  
**H:** 48  
**D:** 14,18,21,24

2 Sliding White Boards  
 2 Tracks  
 Center Divider  
 Adjustable Shelves

22300

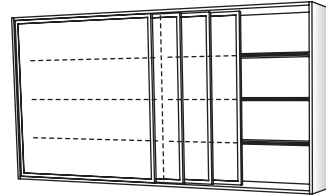
48H



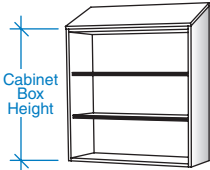


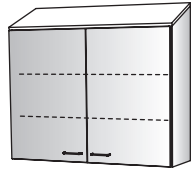
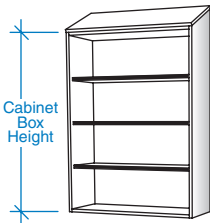


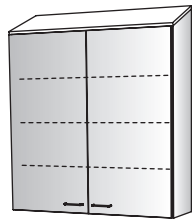
**W:** 96  
**H:** 48  
**D:** 14,18,21,24

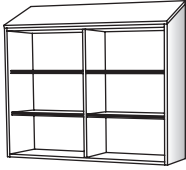
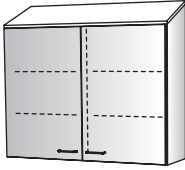
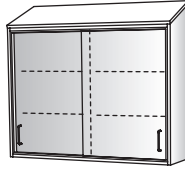
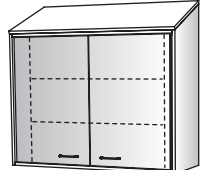

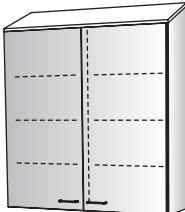
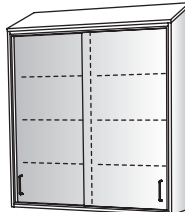
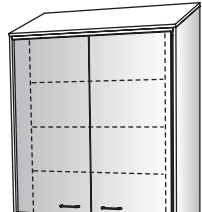
4 Sliding White Boards  
 4 Tracks  
 Center Divider  
 Adjustable Shelves

22302



Hutch units are built for stacking on a countertop surface. Actual hutch heights are based on overall total height of elevation with the base and countertop combination used.

Shelf				
	<p><b>W:</b> 12 - 48 <b>H:</b> 35,38,42,44,48,51,54 <b>D:</b> 14,18,21,24</p> <p>Adjustable Shelves</p>	<p><b>W:</b> 12 - 24 <b>H:</b> 35,38,42,44,48,51,54 <b>D:</b> 14,18,21,24</p> <p>Right Hinge Door Adjustable Shelves</p>	<p><b>W:</b> 12 - 24 <b>H:</b> 35,38,42,44,48,51,54 <b>D:</b> 14,18,21,24</p> <p>Left Hinge Door Adjustable Shelves</p>	<p><b>W:</b> 24 - 48 <b>H:</b> 35,38,42,44,48,51,54 <b>D:</b> 14,18,21,24</p> <p>Doors Adjustable Shelves</p>
	<b>23101</b>	<b>23120</b>	<b>23121</b>	<b>23129</b>
<p>35H 38H 42H 44H</p>	 <p>Cabinet Box Height</p>			
<p>48H 51H 54H</p>	 <p>Cabinet Box Height</p>			

Shelf				
	<p><b>W:</b> 39 - 48 <b>H:</b> 35,38,42,44,48,51,54 <b>D:</b> 14,18,21,24</p> <p>Center Divider Adjustable Shelves</p>	<p><b>W:</b> 39 - 48 <b>H:</b> 35,38,42,44,48,51,54 <b>D:</b> 14,18,21,24</p> <p>Doors Center Divider Adjustable Shelves</p>	<p><b>W:</b> 36 - 48 <b>H:</b> 35,38,42,44,48,51,54 <b>D:</b> 14,18,21,24</p> <p>Sliding Doors Center Divider Adjustable Shelves</p>	<p><b>W:</b> 30 - 48 <b>H:</b> 35,38,42,44,48,51,54 <b>D:</b> 18,21,24</p> <p>Pocket Doors Adjustable Shelves</p>
	<b>23138</b>	<b>23181</b>	<b>23150</b>	<b>23140</b>
<p>35H 38H 42H 44H</p>				
<p>48H 51H 54H</p>				

# SLOPE HUTCH



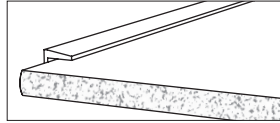
## Display

Hutch units are built for stacking on a countertop surface. Actual hutch heights are based on overall total height of elevation with the base and countertop combination used.

Display				
	<p><b>W:</b> 15,18,21,24 <b>H:</b> 35,38,42,44,48,51,54 <b>D:</b> 14,18,21,24</p> <p>Right Hinge Display Door Adjustable Shelves</p>	<p><b>W:</b> 15,18,21,24 <b>H:</b> 35,38,42,44,48,51,54 <b>D:</b> 14,18,21,24</p> <p>Left Hinge Display Door Adjustable Shelves</p>	<p><b>W:</b> 30,36,42,48 <b>H:</b> 35,38,42,44,48,51,54 <b>D:</b> 14,18,21,24</p> <p>Display Doors Adjustable Shelves</p>	<p><b>W:</b> 30,36,42,48 <b>H:</b> 35,38,42,44,48,51,54 <b>D:</b> 14,18,21,24</p> <p>Display Doors Center Divider Adjustable Shelves</p>
	<b>23130</b>	<b>23131</b>	<b>23136</b>	<b>23182</b>
<p>35H 38H 42H 44H</p>				
<p>48H 51H 54H</p>				


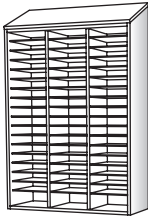
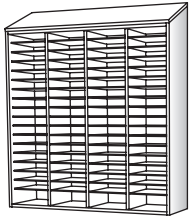
Display			
	<p><b>W:</b> 30,36,42,48 <b>H:</b> 35,38,42,44,48,51,54 <b>D:</b> 14,18,21,24</p> <p>Sliding Display Doors Center Divider Adjustable Shelves</p>	<p><b>W:</b> 30,36,42,48 <b>H:</b> 35,38,42,44,48,51,54 <b>D:</b> 14,18,21,24</p> <p>Sliding Glass Doors Center Divider Adjustable Shelves</p>	<p><b>W:</b> 30,36,42,48 <b>H:</b> 35,38,42,44,48,51,54 <b>D:</b> 18,21,24</p> <p>Pocket Display Doors Adjustable Shelves</p>
	<b>23154</b>	<b>23158</b>	<b>23141</b>
<p>35H 38H 42H 44H</p>			
<p>48H 51H 54H</p>			

## Folder



1/4"-thick folder shelves are held securely with translucent, low profile shelf supports. All edges unfinished. Front edge unfinished and shaped.

Hutch units are built for stacking on a countertop surface. Actual hutch heights are based on overall total height of elevation with the base and countertop combination used.

Folder		
<p><b>W:</b> 21,24,30,36 <b>H:</b> 35,38,42,44,48,51,54 <b>D:</b> 14,18,21,24</p> <p>1/4" Folder Shelves, Adjustable and Removable on 1 1/4" Centers Compartments 2 1/4"H min.</p>	<p><b>W:</b> 30,36,42,48 <b>H:</b> 35,38,42,44,48,51,54 <b>D:</b> 14,18,21,24</p> <p>1/4" Folder Shelves, Adjustable and Removable on 1 1/4" Centers Compartments 2 1/4"H min.</p>	
<p><b>W:</b> 42,48 <b>H:</b> 35,38,42,44,48,51,54 <b>D:</b> 14,18,21,24</p> <p>1/4" Folder Shelves, Adjustable and Removable on 1 1/4" Centers Compartments 2 1/4"H min.</p>		
23241	23242	23243
<p><b>35H:</b> 26 Compts. <b>38H:</b> 28 Compts. <b>42H:</b> 32 Compts. <b>44H:</b> 34 Compts. <b>48H:</b> 36 Compts. <b>51H:</b> 38 Compts. <b>54H:</b> 42 Compts.</p> 	<p><b>35H:</b> 39 Compts. <b>38H:</b> 42 Compts. <b>42H:</b> 48 Compts. <b>44H:</b> 51 Compts. <b>48H:</b> 54 Compts. <b>51H:</b> 57 Compts. <b>54H:</b> 63 Compts.</p> 	<p><b>35H:</b> 52 Compts. <b>38H:</b> 56 Compts. <b>42H:</b> 64 Compts. <b>44H:</b> 68 Compts. <b>48H:</b> 72 Compts. <b>51H:</b> 76 Compts. <b>54H:</b> 84 Compts.</p> 

# SLOPE HUTCH



## Mail Cubicle / Specialty

Hutch units are built for stacking on a countertop surface. Actual hutch heights are based on overall total height of elevation with the base and countertop combination used.

### Mail Cubicle

**Compt. Widths**  
 21W = 9 3/8"  
 24W = 10 7/8"  
 30W = 13 7/8"  
 36W = 16 7/8"

**W:** 21,24,30,36  
**H:** 35,38,42,44,48,51,54  
**D:** 14,18,21,24

Open, One Face  
 3/4" Adjustable, Equally Spaced  
 Cubicle Shelves  
 Compartment Spacing 3"H min.

#### 23250

**35H**  
**38H**  
**42H**  
**44H:**  
 12 Compts.



**48H**  
**51H**  
**54H:**  
 14 Compts.



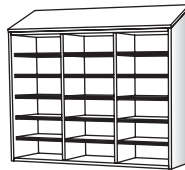
**Compt. Widths**  
 30W = 9"  
 36W = 11"  
 42W = 13"  
 48W = 15"

**W:** 30,36,42,48  
**H:** 35,38,42,44,48,51,54  
**D:** 14,18,21,24

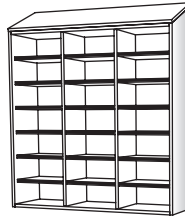
Open, One Face  
 3/4" Adjustable, Equally Spaced  
 Cubicle Shelves  
 Compartment Spacing 3"H min.

#### 23251

**35H**  
**38H**  
**42H**  
**44H:**  
 18 Compts.



**48H**  
**51H**  
**54H:**  
 21 Compts.



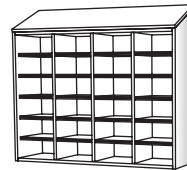
**Compt. Widths**  
 42W = 9 1/2"  
 48W = 11"

**W:** 42,48  
**H:** 35,38,42,44,48,51,54  
**D:** 14,18,21,24

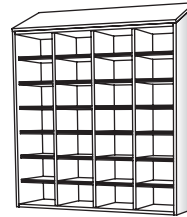
Open, One Face  
 3/4" Adjustable, Equally Spaced  
 Cubicle Shelves  
 Compartment Spacing 3"H min.

#### 23252

**35H**  
**38H**  
**42H**  
**44H:**  
 24 Compts.



**48H**  
**51H**  
**54H:**  
 28 Compts.



### Specialty

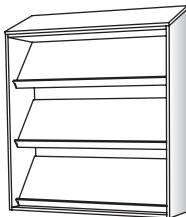
#### Magazine Shelf



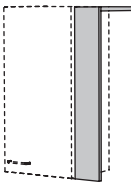
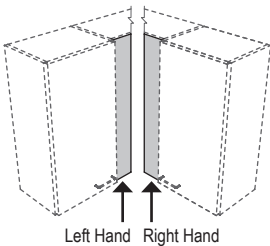
**W:** 24,27,30,33,36,39,42,45,48  
**H:** 48,51,54  
**D:** 14,18,21,24

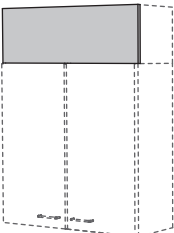
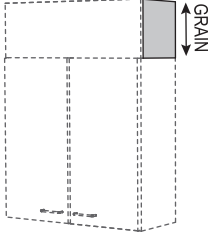
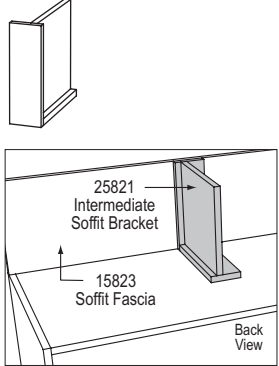
3 Magazine Shelves

#### 23165

**48H**  
**51H**  
**54H**



Soffit Trim	Vertical Scribe	Front Filler	Corner Filler
<p><b>W:</b> 96 <b>H:</b> 00 <b>D:</b> 03</p> <p>Field Trim to Fit Actual Thickness=<math>\frac{3}{4}</math>" Actual Depth=3" Edgebanding: One Long Edge in Casebody Trim Color and 0.5mm Thickness</p>	<p><b>W:</b> 00 <b>H:</b> 35-61 <b>D:</b> 14-24</p> <p>Field Trim to Fit Actual Thickness=<math>\frac{3}{4}</math>" Actual Depth=3" Edgebanding: One Long Edge in Casebody Trim Color and 0.5mm Thickness</p>	<p><b>W:</b> 01-12 <b>H:</b> 35-61 <b>D:</b> 14-24</p> <p>Field Trim to Fit Includes Top Closure Panel Edgebanding: Top and Bottom Edges in Casebody Trim Color and .05mm Thickness</p>	<p><b>W:</b> 01-12 <b>H:</b> 35-61 <b>D:</b> 14-24</p> <p>Field Trim to Fit Depths (D) Listed are Depths of Cabinets to which Filler is Attached Edgebanding: Top and Bottom Edges in Casebody Trim Color and 0.5mm Thickness</p>
<b>15801</b>	<b>15803</b>	<b>22803</b>	<b>22805</b>
			

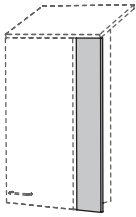
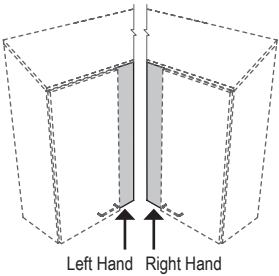
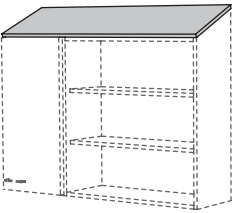
Soffit Fascia	End Soffit Closure	Intermediate Soffit Bracket
<p><b>W:</b> 12-96 Horizontal Grain 12-48 Vertical Grain <b>H:</b> 12-25 <b>D:</b> 00</p> <p>Field Trim to Fit Edgebanding: Bottom and Both Side Edges in Casebody Trim Color and 0.5mm Thickness Grain Defined in Specification Group</p>	<p><b>W:</b> 00 <b>H:</b> 12-25 <b>D:</b> 14-24</p> <p>Field Trim to Fit Edgebanding: All Edges in Casebody Trim Color and 0.5mm Thickness</p>	<p><b>W:</b> 04 <b>H:</b> 12 <b>D:</b> 12</p> <p>Provides Added Support for 15823 Soffit Fascias Edgebanding: None</p>
<b>15823</b>	<b>15820</b>	<b>25821</b>
		
Shown with 15820 End Soffit Closure	Shown with 15823 Soffit Fascia	Back View

# SLOPE HUTCH

## Installation Accessories

Slope top units require 16816 slope top cover panel for field installation.



Front Filler	Corner Filler	Slope Top Cover Panel
<p><b>W:</b> 01-12  <b>H:</b> 35-54  <b>D:</b> 14-24</p> <p>Field Trim to Fit                      Edgebanding: Bottom Edge in Casebody Trim Color and 0.5mm Thickness</p>	<p><b>W:</b> 01-12  <b>H:</b> 35-54  <b>D:</b> 14-24</p> <p>Field Trim to Fit                      Depths (D) Listed are Depths of Cabinets to which Filler is Attached                      Edgebanding: Bottom Edge of each in Casebody Trim Color and 0.5mm Thickness</p>	<p><b>W:</b> 12-96 Horizontal Grain                      12-48 Vertical Grain  <b>H:</b> 00  <b>D:</b> 14-24</p> <p>Shipped in Lengths for Field Trimming                      Order by Cabinet Depth                      Based on Standard 25° Rise                      Edgebanding: Bottom and Both Side Edges in Casebody Trim Color and 0.5mm Thickness                      Grain Defined in Specification Group</p>
23803	23805	16816
		

Custom Slope Top End Wedge
<p>Field Cut to Desired Size                      Provide Height of Rise Desired                      Edgebanding: None</p>
16817
