



| | |
|------------------------------------|----|
| DESIGN INFORMATION | 2 |
| EPOXY SINKS FOR EPOXY TOPS | 6 |
| EPOXY SINKS FOR PHENOLIC TOPS | 9 |
| GENERAL SOLID TOP SINK ACCESSORIES | 11 |
| STAINLESS STEEL SINKS | 12 |
| STAINLESS STEEL SINK ACCESSORIES | 15 |
| SOLID SURFACE SINKS | 16 |

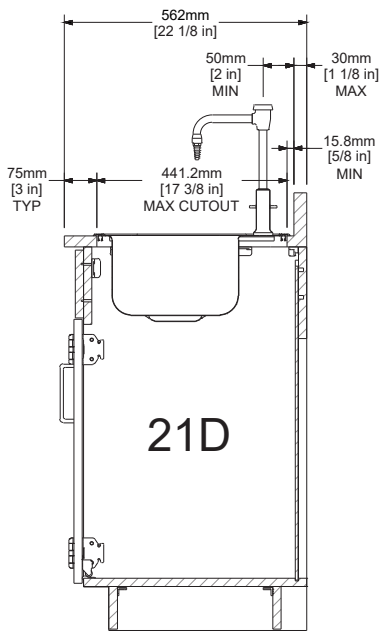
Rev. 03/03/25
©2023 STEVENS INDUSTRIES, INC.
ALL RIGHTS RESERVED.
Due to continuing product development,
Stevens reserves the right to change
specifications without notice.

SINKS

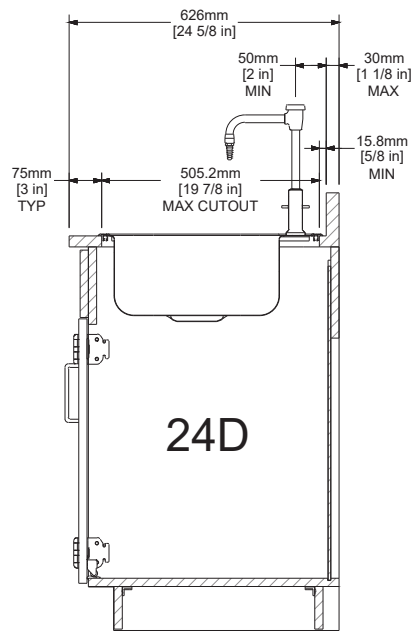
Design Information



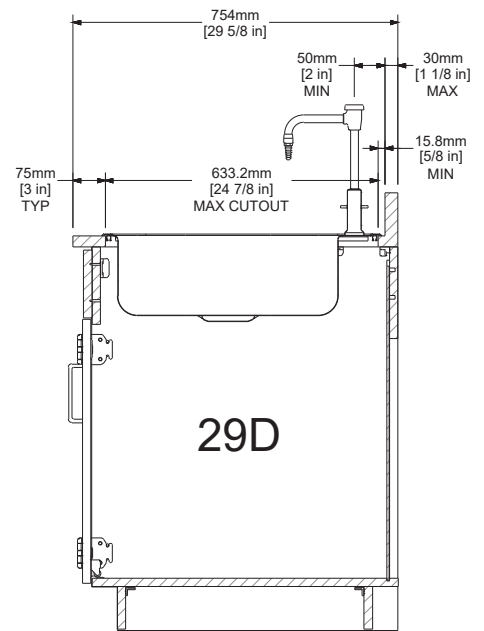
STEVENS ADVANTAGE CABINETS & COUNTERTOPS STAINLESS STEEL SINK MAX CUTOUTS



NOMINAL 21 SINK CABINET DEPTH
Accommodates up to 18" deep sink

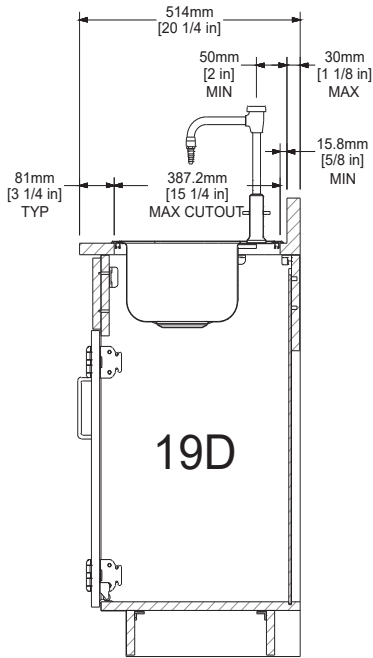


NOMINAL 24 SINK CABINET DEPTH
Accommodates up to 20" deep sink

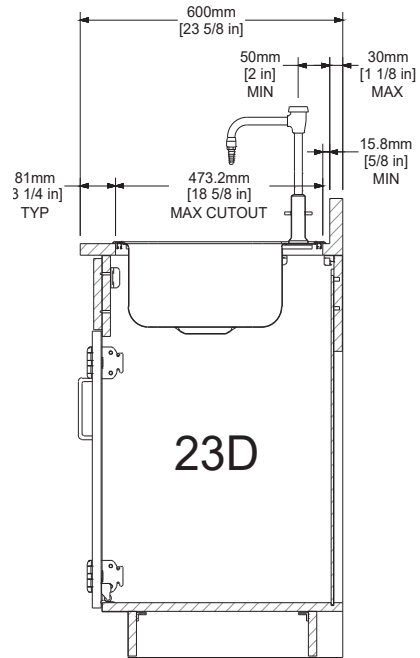


NOMINAL 29 SINK CABINET DEPTH
Accommodates up to 25" deep sink

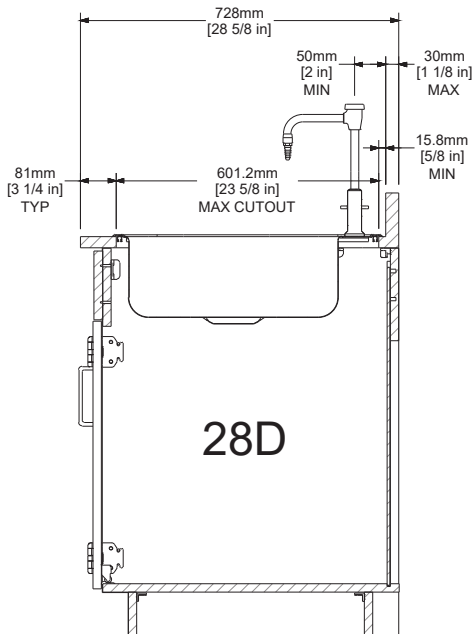
**ADVANTAGE SCIENTIFIC CABINETS & COUNTERTOPS
STAINLESS STEEL SINK MAX CUTOUTS**



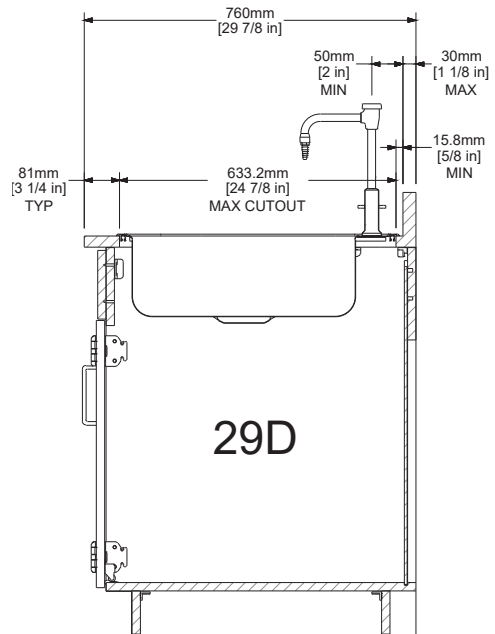
NOMINAL 19 SINK CABINET DEPTH
Accommodates up to 15" deep sink



NOMINAL 23 SINK CABINET DEPTH
Accommodates up to 19" deep sink

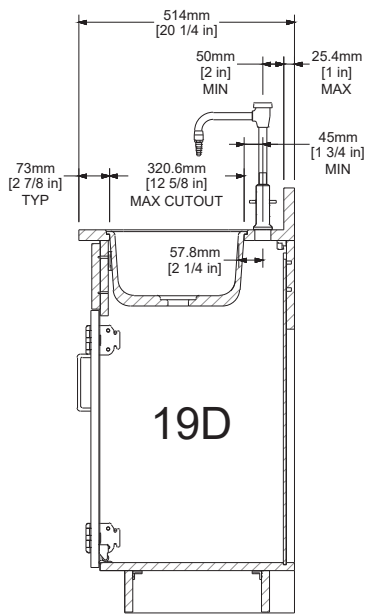


NOMINAL 28 SINK CABINET DEPTH
Accommodates up to 24" deep sink

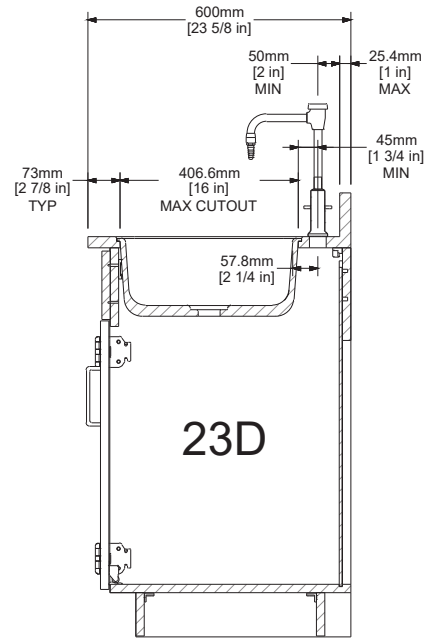


NOMINAL 29 SINK CABINET DEPTH
Accommodates up to 25" deep sink

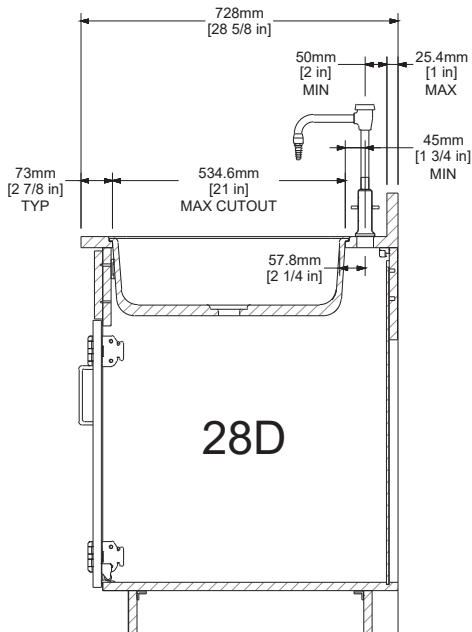
ADVANTAGE SCIENTIFIC CABINETS & COUNTERTOPS EPOXY SINK MAX CUTOUTS (No Drying Racks)



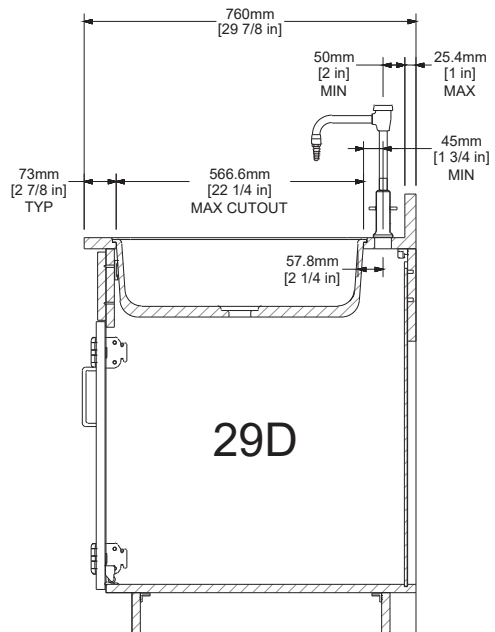
NOMINAL 19 SINK CABINET DEPTH
Accommodates up to 11" deep sink



NOMINAL 23 SINK CABINET DEPTH
Accommodates up to 15" deep sink

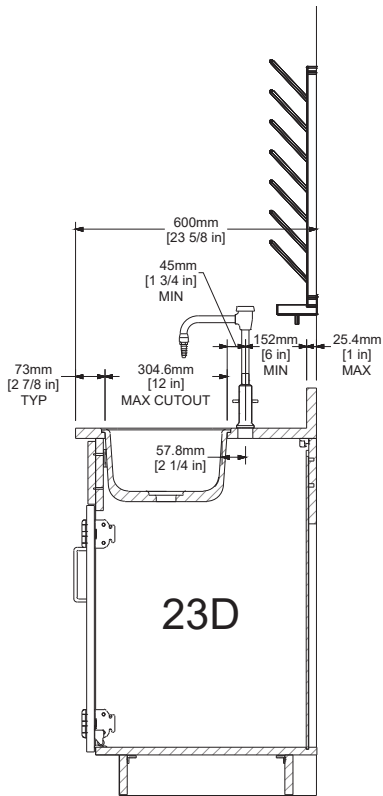


NOMINAL 28 SINK CABINET DEPTH
Accommodates up to 20" deep sink

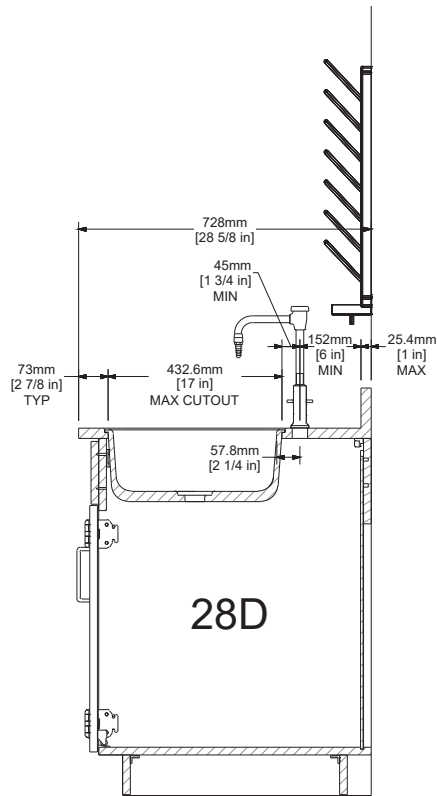


NOMINAL 29 SINK CABINET DEPTH
Accommodates up to 21" deep sink

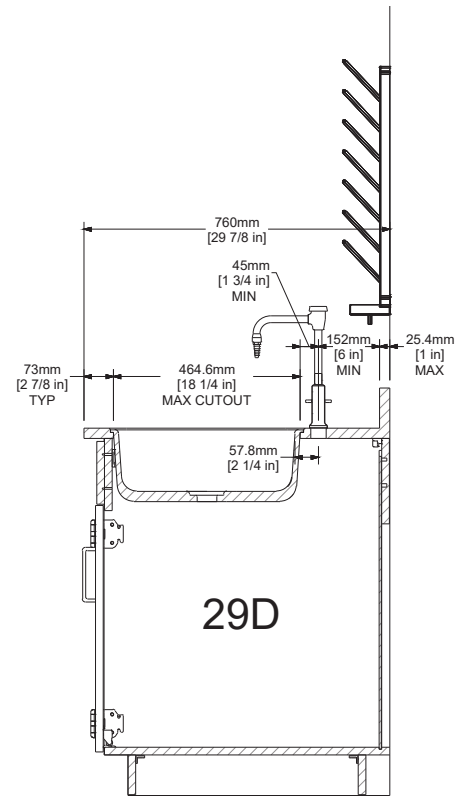
**ADVANTAGE SCIENTIFIC CABINETS & COUNTERTOPS
EPOXY SINK MAX CUTOUTS (With Drying Racks)**



NOMINAL 23 SINK CABINET DEPTH
Accommodates up to 11" deep sink



NOMINAL 28 SINK CABINET DEPTH
Accommodates up to 16" deep sink



NOMINAL 29 SINK CABINET DEPTH
Accommodates up to 17" deep sink

SINKS

Accessories

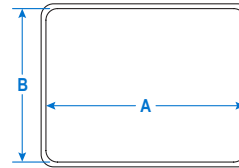
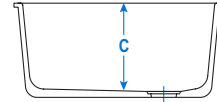


EPOXY SINKS FOR EPOXY TOPS

**DROP-IN
RECTANGULAR
EPOXY SINKS
- BLACK**



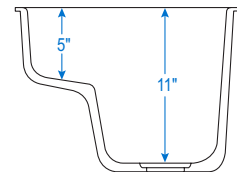
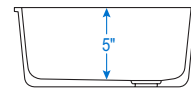
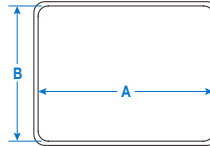
| Model # | Outlet | Dimensions (in) | | |
|---------|--------|------------------|----|----|
| | | Inside (nominal) | | |
| | | A | B | C |
| 52D03 | Center | 12 | 8 | 6 |
| 52D05 | Center | 14 | 10 | 6 |
| 52D10 | Center | 16 | 8 | 7 |
| 52D15 | Center | 16 | 12 | 8 |
| 52D20 | Corner | 16 | 16 | 8 |
| 52D22 | Center | 18 | 7 | 6 |
| 52D25 | Corner | 18 | 15 | 8 |
| 52D30 | Corner | 18 | 15 | 11 |
| 52D54 | Corner | 25 | 15 | 8 |
| 52D55 | Corner | 25 | 15 | 10 |
| 52D59 | Corner | 28 | 15 | 12 |



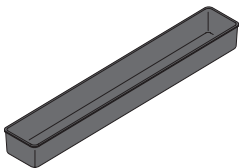
**ADA DROP-IN
RECTANGULAR
EPOXY SINKS
- BLACK**



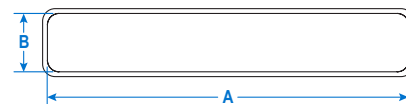
| Model # | Outlet | Dimensions (in) | | |
|---------|--------|------------------|----|------|
| | | Inside (nominal) | | |
| | | A | B | C |
| 52D05A | Corner | 14 | 10 | 5 |
| 52D07A | Corner | 14 | 14 | 5 |
| 52D25A | Corner | 18 | 15 | 5 |
| 52D26A | Corner | 18 | 15 | 5/11 |
| 52D55A | Corner | 25 | 15 | 5 |
| 52D56A | Corner | 25 | 15 | 5/11 |



**DROP-IN
TROUGH
EPOXY SINKS
- BLACK**

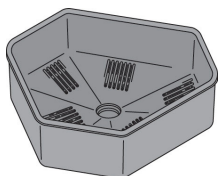


| Model # | Outlet | Dimensions (in) | | |
|---------|------------|------------------|---|---|
| | | Inside (nominal) | | |
| | | A | B | C |
| 52DT36 | Off-Center | 35 | 6 | 4 |
| 52DT48 | Off-Center | 47 | 6 | 4 |



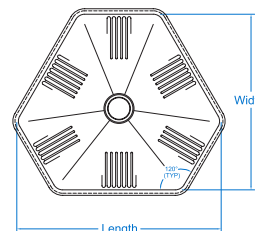
EPOXY SINKS FOR EPOXY TOPS

**DROP-IN
HEXAGONAL
EPOXY SINK**

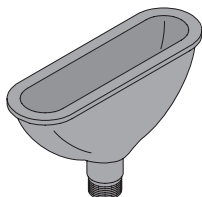


52DH20

| Outlet | Dimensions (in) | | |
|--------|------------------|----|---|
| | Inside (nominal) | | |
| | L | W | D |
| Center | 30 | 26 | 7 |



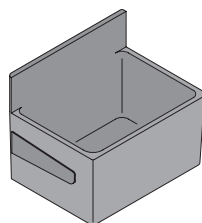
**OVAL CUP
EPOXY SINK**



52CS4R

| Dimensions (in) | | | | | | |
|-----------------|-----|-----|---------|-----|-----|--|
| Inside | | | Outside | | | |
| L | W | D | L | W | D | |
| 5.7 | 2.7 | 3.7 | 7.5 | 4.5 | 8.3 | |

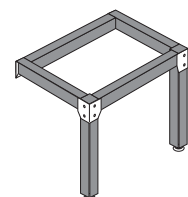
**END AND WALL
EPOXY SINK**



52E46

| Outlet | Dimensions (in) | | | |
|--------|-----------------|------|------|-------------|
| | Inside | | | Back Splash |
| | L | W | D | |
| Corner | 22.0 | 13.6 | 12.6 | 3.8 |

**STAND FOR 52E46
SINK**



49739

| Dimensions (in) | | |
|-----------------|----------|-------|
| W | H | D |
| 20.5 | 14 or 16 | 13.75 |

SINKS

Accessories



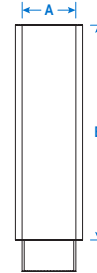
EPOXY SINK ACCESSORIES FOR EPOXY TOPS

OPEN END
OVERFLOW
- BLACK



52POB

| Model # | Dimensions (in) | |
|---------|-----------------|---|
| | A | B |
| 52POB4 | 1 5/8 | 4 |
| 52POB6 | 1 5/8 | 6 |
| 52POB8 | 1 5/8 | 8 |

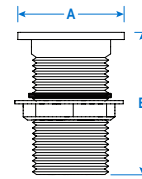


OUTLET/STOPPER
- BLACK



52P98

| Dimensions (in) | | |
|-----------------|-------|-------|
| Size | A | B |
| 1 1/2 NPSL | 3 3/8 | 3 3/4 |



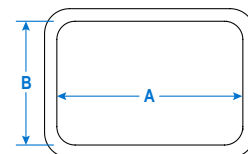
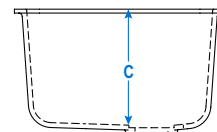
EPOXY SINKS FOR PHENOLIC TOPS

**DROP-IN
RECTANGULAR
EPOXY SINKS
- BLACK**



Epoxy Sinks are shipped with Outlet, Stopper and Overflow.

| Model # | Outlet | Dimensions (in) | | |
|---------|--------|------------------|----|----|
| | | Inside (nominal) | | |
| | | A | B | C |
| 52S03 | Corner | 12 | 8 | 8 |
| 52S05 | Corner | 14 | 10 | 6 |
| 52S10 | Corner | 16 | 8 | 7 |
| 52S15 | Corner | 16 | 12 | 8 |
| 52S25 | Corner | 18 | 15 | 8 |
| 52S30 | Corner | 18 | 15 | 11 |
| 52S55 | Corner | 25 | 15 | 10 |
| 52S59 | Corner | 28 | 15 | 12 |



**ADA DROP-IN
RECTANGULAR
EPOXY SINKS
- BLACK**



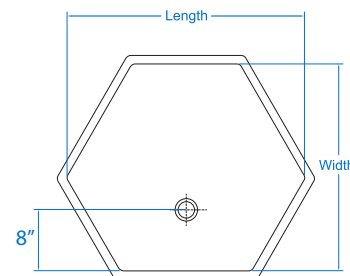
Epoxy Sinks are shipped with Outlet, Stopper and Overflow.

| Model # | Outlet | Dimensions (in) | | |
|---------|--------|------------------|----|---|
| | | Inside (nominal) | | |
| | | A | B | C |
| 52S25A | Corner | 18 | 15 | 5 |
| 52S55A | Corner | 25 | 15 | 5 |

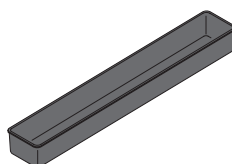
**DROP-IN
HEXAGONAL
EPOXY SINKS**



| Model # | Outlet | Dimensions (in) | | |
|---------|--------|------------------|----|---|
| | | Inside (nominal) | | |
| | | L | W | D |
| 52SH20 | Offset | 30 | 26 | 7 |

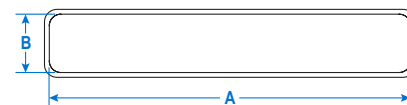


**DROP-IN
TROUGH
EPOXY SINKS
- BLACK**



See Epoxy Sink Accessories Page for Outlet, Stopper and Overflow.

| Model # | Outlet | Dimensions (in) | | |
|---------|------------|------------------|---|---|
| | | Inside (nominal) | | |
| | | A | B | C |
| 52DT36 | Off-Center | 35 | 6 | 4 |
| 52DT48 | Off-Center | 47 | 6 | 4 |



SINKS

Accessories



EPOXY SINK ACCESSORIES FOR PHENOLIC TOPS

OPEN END OVERFLOW - BLACK



Epoxy Sinks are shipped with Outlet, Stopper and Overflow, except Trough Sinks.

| Model # | Dimensions (in) | |
|---------|-----------------|---|
| | A | B |
| 52SOT4 | 1 1/2 | 4 |
| 52SOT6 | 1 1/2 | 6 |
| 52SOT8 | 1 1/2 | 8 |

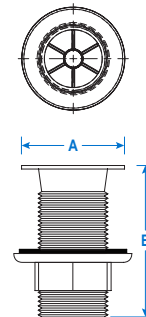


OUTLET/STOPPER - BLACK



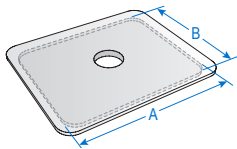
Epoxy Sinks are shipped with Outlet, Stopper and Overflow, except Trough Sinks.

| Model # | Dimensions (in) | | |
|---------|-----------------|-------|--------|
| | Size | A | B |
| 52SOS1 | 1 1/2 NPSL | 2 7/8 | 4 5/32 |



GENERAL SOLID TOP SINK ACCESSORIES

SINK COVER
- MATCHES TOP COLOR

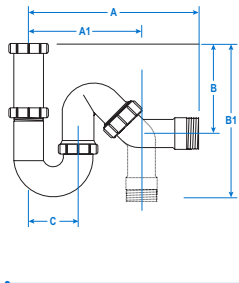


Phenolic construction for epoxy rectangular and trough drop-in sinks. Bottom extension is sized to fit sink inside dimensions.

| Model # | Sink Size (in) | |
|---------|------------------|-----|
| | Inside (nominal) | |
| | A | B |
| 52C03 | 12 | 8 |
| 52C05 | 14 | 10 |
| 52C10 | 16 | 8 |
| 52C15 | 16 | 12 |
| 52C20 | 16 | 16 |
| 52C22 | 18 | 6.5 |
| 52C25 | 18 | 15 |
| 52C30 | 18 | 15 |
| 52C50 | 24 | 16 |
| 52C54 | 25 | 15 |
| 52C55 | 25 | 15 |
| 52C59 | 28 | 15 |
| 52C36 | 35 | 6 |
| 52C48 | 47 | 6 |



ALL WAY TRAP



52P91

Can be used in "P" or "S" configuration.

| Inlet | Outlet | Dimensions (in) | | | | | | |
|-----------|--------------|-----------------|----|-------|-------|-------|--------|-------|
| | | A | A1 | B | | B1 | | C |
| | | | | (MIN) | (MAX) | (MIN) | (MAX) | |
| 1 1/2 NPS | 1 1/2 VMT-VS | 9 1/2 | 6 | 2 1/2 | 7 1/4 | 6 1/8 | 10 7/8 | 2 1/2 |

SINKS

Accessories



STAINLESS STEEL SINKS

SINGLE BOWL

18-GA./304 ALLOY



Must specify faucet hole punching required. (See page 14)

| Model # | Overall Sink Size (in) | | | Bowl Size (in) | | Outlet |
|------------|------------------------|-------------------|----------------------|----------------------|----------------------|--------|
| | W (left to right) | H (bowl depth) | D (front to back) | W (left to right) | D (front to back) | |
| 52SL1515A | 15 | 7 | 15 | 12 | 9 1/4 | 3 1/2 |
| 52SL17519A | 19 | 7 1/2 | 18 | 16 | 11 1/2 | 3 1/2 |
| 52SL1815A | 15 | 7 1/2 | 17 1/2 | 12 | 12 | 3 1/2 |
| 52SL1921A | 22 | 7 1/2 | 19 1/2 | 18 | 14 | 3 1/2 |

DEEP SINGLE BOWL

18-GA./304 ALLOY



Must specify faucet hole punching required. (See page 14)

| Model # | Overall Sink Size (in) | | | Bowl Size (in) | | Outlet |
|------------|------------------------|-------------------|----------------------|----------------------|----------------------|--------|
| | W (left to right) | H (bowl depth) | D (front to back) | W (left to right) | D (front to back) | |
| 52SLX1815A | 15 | 9 | 17 1/2 | 12 | 12 | 3 1/2 |
| 52SLX1921A | 22 | 10 | 19 1/2 | 18 | 14 | 3 1/2 |

ADA SINGLE BOWL

18-GA./304 ALLOY



Must specify faucet hole punching required. (See page 14)

Specify depth in 1/2" increments, from 4.5" to 6.5".

| Model # | Overall Sink Size (in) | | | Bowl Size (in) | | Outlet |
|---------------|------------------------|---|----------------------|----------------------|----------------------|--------|
| | W (left to right) | H specify depth in 1/2" increments (bowl depth) | D (front to back) | W (left to right) | D (front to back) | |
| 52SLADA17519A | 19 | 4 1/2 - 6 1/2 | 18 | 16 | 11 1/2 | 3 1/2 |
| 52SLADA1815A | 15 | 4 1/2 - 6 1/2 | 17 1/2 | 12 | 12 | 3 1/2 |
| 52SLADA1921A | 22 | 4 1/2 - 6 1/2 | 19 1/2 | 18 | 14 | 3 1/2 |

STAINLESS STEEL SINKS

DOUBLE BOWL

18-GA./304 ALLOY



Must specify faucet hole punching required.
(See page 14)

| Model # | Overall Sink Size (in) | | | Bowl Size (in) | | Outlet |
|------------|------------------------|-------------------|----------------------|----------------------|----------------------|--------|
| | W (left to right) | H (bowl depth) | D (front to back) | W (left to right) | D (front to back) | |
| 52DL17537A | 37 1/4 | 7 1/2 | 17 | 16 | 11 1/2 | 3 1/2 |
| 52DL1829A | 29 | 7 1/2 | 18 | 12 | 12 | 3 1/2 |
| 52DL1933A | 33 | 7 1/2 | 19 1/2 | 14 | 14 | 3 1/2 |

DEEP DOUBLE BOWL

18-GA./304 ALLOY



Must specify faucet hole punching required.
(See page 14)

| Model # | Overall Sink Size (in) | | | Bowl Size (in) | | Outlet |
|------------|------------------------|-------------------|----------------------|----------------------|----------------------|--------|
| | W (left to right) | H (bowl depth) | D (front to back) | W (left to right) | D (front to back) | |
| 52DLX1829A | 29 | 9 | 18 | 12 | 12 | 3 1/2 |
| 52DLX1933A | 33 | 10 | 19 1/2 | 14 | 14 | 3 1/2 |

ADA DOUBLE BOWL

18-GA./304 ALLOY



Must specify faucet hole punching required.
(See page 14)

Specify depth in 1/2" increments, from 4.5" to 6.5".

| Model # | Overall Sink Size (in) | | | Bowl Size (in) | | Outlet |
|--------------|------------------------|---|----------------------|----------------------|----------------------|--------|
| | W (left to right) | H specify depth in 1/2" increments (bowl depth) | D (front to back) | W (left to right) | D (front to back) | |
| 52DLADA1829A | 29 | 4 1/2 - 6 1/2 | 18 | 12 | 12 | 3 1/2 |
| 52DLADA1933A | 33 | 4 1/2 - 6 1/2 | 19 1/2 | 14 | 14 | 3 1/2 |

SINKS

Accessories



STAINLESS STEEL SINKS

SINGLE BOWL

22-GA. STAINLESS STEEL



Must specify faucet hole punching required. (See page 14)

| Model # | Overall Sink Size (in) | | | Bowl Size (in) | | Outlet |
|---------|------------------------|-------------------|----------------------|----------------------|----------------------|--------|
| | W (left to right) | H (bowl depth) | D (front to back) | W (left to right) | D (front to back) | |
| 5211515 | 15 | 5 1/8 | 15 | 12 | 10 | 2 |
| 5211719 | 17 | 6 1/8 | 19 | 14 | 14 | 3 1/2 |

DOUBLE BOWL

22-GA. STAINLESS STEEL



Must specify faucet hole punching required. (See page 14)

| Model # | Overall Sink Size (in) | | | Bowl Size (in) | | Outlet |
|---------|------------------------|-------------------|----------------------|----------------------|----------------------|--------|
| | W (left to right) | H (bowl depth) | D (front to back) | W (left to right) | D (front to back) | |
| 5222519 | 25 | 6 1/4 | 19 | 10 | 14 | 3 1/2 |
| 5223319 | 33 | 6 1/4 | 19 | 14 | 14 | 3 1/2 |

Faucet Hole Punching Options – Single Bowl Sinks

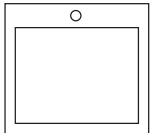
Specify faucet hole punching required by adding the appropriate number code.

- 1 for (1) hole, centered
- 2 for (2) holes on 4" centers
- 3 for (3) holes on 4" centers

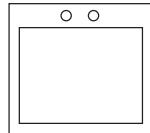
Example:

Specify 52SL1921A3 for 52SL1921A sink with 3 holes on 4" centers

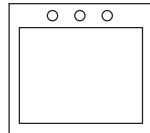
(1) hole, centered



(2) holes on 4" centers



(3) holes on 4" centers



If ADA Sink, will also require depth information. Provide after hole notation.

Example:

52SLADA1815A2-4.5 is a 52SLADA1815A sink with 2 holes on 4" centers that is 4.5" deep.

Faucet Hole Punching Options – Double Bowl Sinks

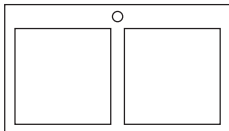
Specify faucet hole punching required by adding the appropriate number code.

- 1 for (1) hole, centered
- 2 for (2) holes on 4" centers
- 3 for (3) holes on 4" centers
- 4 for (4) holes on 4" centers

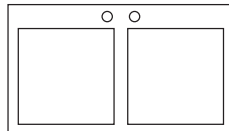
Example:

Specify 52DL1829A3 for 52DL1829A sink with 3 holes on 4" centers

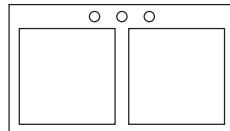
(1) hole, centered



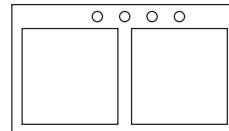
(2) holes on 4" centers



(3) holes on 4" centers



(4) holes on 4" centers



STAINLESS STEEL SINK ACCESSORIES

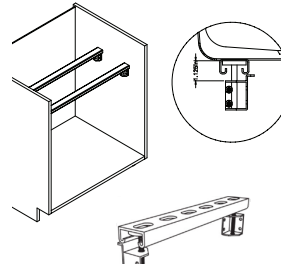
STRAINER



52J35

Stainless steel cup strainer with removable basket. Basket fitted with rubber stopper. For 3 1/2" sink outlet.

UNDERMOUNT SINK SUPPORT ASSEMBLY



10942

Includes (2) Channels. Channel Sized To Fit Inside 48" Wide Unit.

W: 46
H: 03
D: 02

ADA STRAINER



52JADA35

ADA Stainless steel cup strainer with removable basket. Basket fitted with rubber stopper. For 3 1/2" sink outlet.

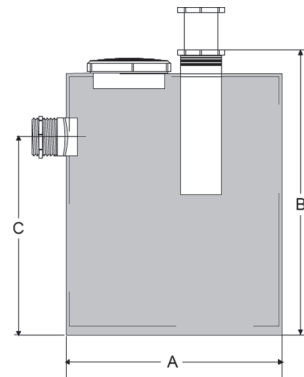
DRAIN WITH FLAT STRAINER



52J35FS

Chrome plated brass drain with flat strainer. For 3 1/2" sink outlet.

PLASTER AND SEDIMENT TRAP



52P97

Compatible with All Craft Sinks
Black
1 1/2-Gal. Capacity
(2) Inlets (1 1/2")
(1) Outlet (2")
(1) Cleanout (3")

W: 09
H: 12
D: 09

STRAINER



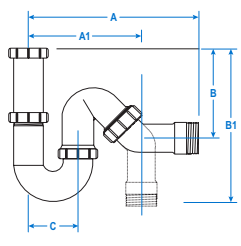
52D5018A

Stainless steel cup strainer with removable basket. For 2" sink outlet.

Dimensions (in)

| A | B | C |
|---|----|-------|
| 9 | 12 | 6 7/8 |

ALL WAY TRAP



52P91

Can be used in "P" or "S" configuration.

| Inlet | Outlet | Dimensions (in) | | | | | | |
|-----------|--------------|-----------------|----|---------|---------|----------|----------|-------|
| | | A | A1 | B (MIN) | B (MAX) | B1 (MIN) | B1 (MAX) | C |
| 1 1/2 NPS | 1 1/2 VMT-VS | 9 1/2 | 6 | 2 1/2 | 7 1/4 | 6 1/8 | 10 7/8 | 2 1/2 |

SINKS

Accessories



SOLID SURFACE SINKS

Available in Glacier White, Cameo White, Bone and Bisque

OVAL VANITY



| Model # | Overall Sink Size (in) | | | Bowl Size (in) | | |
|-----------|------------------------|-------------------|----------------------|----------------------|-------------------|----------------------|
| | W (left to right) | H (bowl depth) | D (front to back) | W (left to right) | H (bowl depth) | D (front to back) |
| 52CN-810P | 18 1/8 | 7 | 14 3/4 | 16 3/8 | 5 | 13 |

OVAL VANITY - ADA

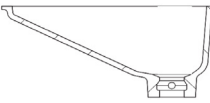


| Model # | Overall Sink Size (in) | | | Bowl Size (in) | | |
|-----------|------------------------|-------------------|----------------------|----------------------|-------------------|----------------------|
| | W (left to right) | H (bowl depth) | D (front to back) | W (left to right) | H (bowl depth) | D (front to back) |
| 52CN-820P | 16 1/2 | 7 1/2 | 12 1/4 | 14 3/4 | 5 1/2 | 10 1/2 |

SOLID SURFACE SINKS

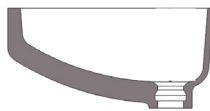
Available in Glacier White, Cameo White, Bone and Bisque

**RECTANGLE VANITY
- ADA**



| Model # | Overall Sink Size (in) | | | Bowl Size (in) | | |
|------------------|------------------------|-------------------|----------------------|----------------------|-------------------|----------------------|
| | W (left to right) | H (bowl depth) | D (front to back) | W (left to right) | H (bowl depth) | D (front to back) |
| 52CN-8252 | 16 3/4 | 7 | 15 3/8 | 15 1/4 | 5 1/4 | 13 7/8 |

**RECTANGLE VANITY
- ADA**



| Model # | Overall Sink Size (in) | | | Bowl Size (in) | | |
|------------------|------------------------|-------------------|----------------------|----------------------|-------------------|----------------------|
| | W (left to right) | H (bowl depth) | D (front to back) | W (left to right) | H (bowl depth) | D (front to back) |
| 52CN-8254 | 19 1/2 | 6 7/8 | 14 3/8 | 18 | 5 | 12 3/4 |

**RECTANGLE KITCHEN
- ADA**



| Model # | Overall Sink Size (in) | | | Bowl Size (in) | | |
|---------------------|------------------------|-------------------|----------------------|----------------------|-------------------|----------------------|
| | W (left to right) | H (bowl depth) | D (front to back) | W (left to right) | H (bowl depth) | D (front to back) |
| 52CN-5610NOF | 28 1/2 | 6 1/4 | 17 1/2 | 17 | 5 1/2 | 16 |



SOLID SURFACE SINKS - EXTENDED OFFERING

| CORIAN | HI-MACS | WILSONART | LIVINGSTONE |
|--------------|-----------|----------------|-------------|
| 52CN-5414NOF | 52HM-1612 | 52WA-AK2015NOF | 52LS-V140 |
| 52CN-7412NOF | 52HM-1715 | 52WA-AV1512 | |
| 52CN-7722NOF | | 52WA-AV1612 | |
| 52CN-804PNOF | | 52WA-AV1812 | |
| 52CN-805PNOF | | | |
| 52CN-809PNOF | | | |
| 52CN-810L | | | |
| 52CN-810PNOF | | | |
| 52CN-816P | | | |
| 52CN-816PNOF | | | |
| 52CN-8252NOF | | | |
| 52CN-8254NOF | | | |
| 52CN-859PNOF | | | |
| | | | |
| | | | |
| | | | |
| | | | |
| | | | |
| | | | |
| | | | |
| | | | |
| | | | |
| | | | |
| | | | |
| | | | |
| | | | |
| | | | |
| | | | |
| | | | |
| | | | |
| | | | |
| | | | |
| | | | |
| | | | |