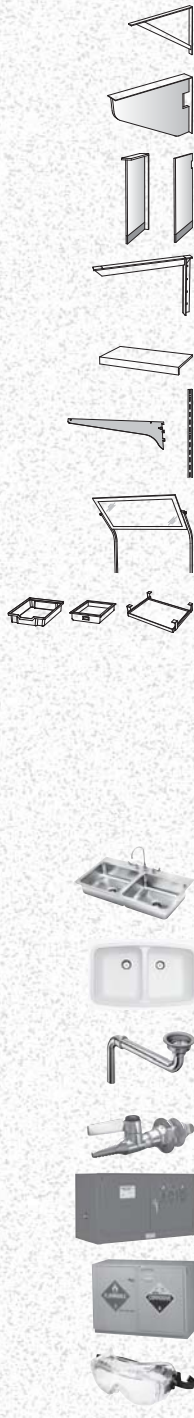


Table of Contents

**ACCESSORIES**



**Shelf Supports ..... 3**

**Counter Supports ..... 3-5**

**Pedestals ..... 6-7**

**Concealed Brackets ..... 8**

**Laminated Shelves ..... 8**

**Wall Shelving ..... 9**

**Mirrors ..... 10**

**Bins / Trays ..... 11-12**

**Miscellaneous ..... 13-16**  
*Tube Leg, Wall Angle, Wall Cleat, CPU Mount, Chase Strut, Titejoint Fastener Jig, Task Light, Plaster/Sediment Trap, Apron Support, Apron Drawer, Book Compartment, Wire Chase, Wire Race Channel, Vent, Grommet, File Drawer Crossbars/File Bars, Numbered Metal Plate Set, Number Label Set, Hasp Label Cover, Label Holder*

**Stainless Steel Sinks ..... 17-20**

**Polymer Sinks ..... 21**

**Sink Fittings ..... 22-23**

**Service Fittings ..... 24-32**

**Metal Safety Cabinets ..... 33-36**

**Wooden Safety Cabinets ..... 37-41**

**Safety Equipment ..... 42**

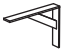
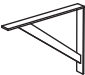
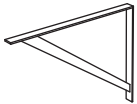
# ACCESSORIES

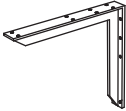


Commercial Cabinetry and Millwork

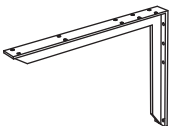
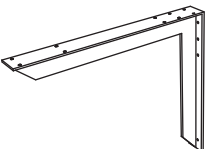
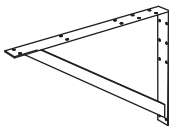


## Shelf Supports / Counter Supports

Wall mounted supports require inner wall blocking at top and bottom of support to allow proper anchorage. See Design Information section for blocking location details.

Shelf Supports		
<p><b>W:</b> 01 <b>H:</b> 05 <b>D:</b> 07</p> <p>Available in Black, Matte Nickel, White</p>	<p><b>W:</b> 01 <b>H:</b> 08 <b>D:</b> 11</p> <p>Available in Black, Matte Nickel, White</p>	<p><b>W:</b> 01 <b>H:</b> 10 <b>D:</b> 15</p> <p>Available in Black, Matte Nickel, White</p>
<b>10842</b>	<b>10843</b>	<b>10844</b>
		

Counter Supports		
<p><b>W:</b> 02 <b>H:</b> 14 <b>D:</b> 16</p> <p>For 18"-21" Cabinet Depths Available in Black, Matte Nickel, White</p>	<p><b>W:</b> 02 <b>H:</b> 16 <b>D:</b> 12</p> <p>For 14"-17" Cabinet Depths Available in Black, Matte Nickel, White</p>	<p><b>W:</b> 02 <b>H:</b> 16 <b>D:</b> 14</p> <p>For 17"-18" Cabinet Depths Available in Black, Matte Nickel, White</p>
<b>10833</b>	<b>10834</b>	<b>10835</b>
		



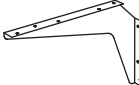
Counter Supports		
<p><b>W:</b> 02 <b>H:</b> 16 <b>D:</b> 21</p> <p>For 23"-28" Cabinet Depths Available in Black, Matte Nickel, White</p>	<p><b>W:</b> 03 <b>H:</b> 21 <b>D:</b> 27</p> <p>For 29"-34" Cabinet Depths Available in Black, Matte Nickel, White</p>	<p><b>W:</b> 02 <b>H:</b> 16 <b>D:</b> 21</p> <p>For 23"-29" Cabinet Depths Available in Black, Matte Nickel, White</p>
<b>10836</b>	<b>10837</b>	<b>10840</b>
		

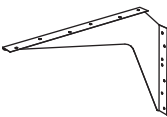
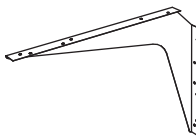
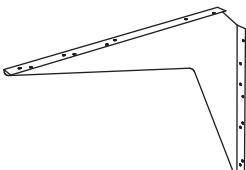
# ACCESSORIES

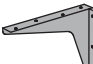
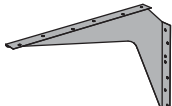
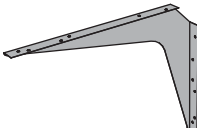


## Counter Supports

Wall mounted supports require inner wall blocking at top and bottom of support to allow proper anchorage. See Design Information section for blocking location details.

Counter Supports		
<p><b>W:</b> 02 <b>H:</b> 05 <b>D:</b> 08</p> <p>For 10"-13" Cabinet Depths Available in Black, Grey, White</p>	<p><b>W:</b> 02 <b>H:</b> 08 <b>D:</b> 12</p> <p>For 14"-19" Cabinet Depths Available in Black, Grey, White</p>	<p><b>W:</b> 02 <b>H:</b> 12 <b>D:</b> 18</p> <p>For 20"-23" Cabinet Depths Available in Black, Grey</p>
<b>10845</b>	<b>10846</b>	<b>10841</b>
		

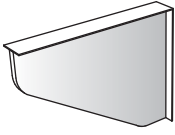
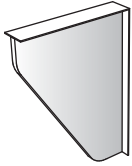
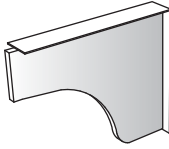
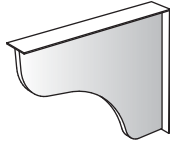
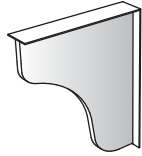
Counter Supports		
<p><b>W:</b> 02 <b>H:</b> 15 <b>D:</b> 21</p> <p>For 24"-25" Cabinet Depths Available in Black, Grey, White</p>	<p><b>W:</b> 02 <b>H:</b> 18 <b>D:</b> 24</p> <p>For 26"-29" Cabinet Depths Available in Black, Grey, White</p>	<p><b>W:</b> 02 <b>H:</b> 24 <b>D:</b> 29</p> <p>For 31"-34" Cabinet Depths Available in Black, Grey, White</p>
<b>10847</b>	<b>10848</b>	<b>10849</b>
		

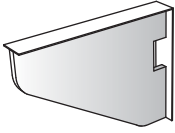
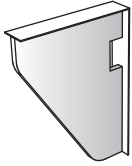
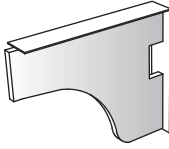
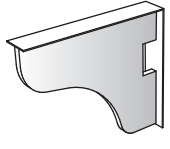
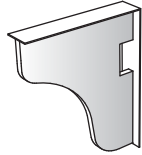
Counter Supports		
<p><b>W:</b> 02 <b>H:</b> 08 <b>D:</b> 12</p> <p>For 14"-19" Cabinet Depths Stainless Steel with Clear Epoxy Coat</p>	<p><b>W:</b> 02 <b>H:</b> 15 <b>D:</b> 21</p> <p>For 24"-25" Cabinet Depths Stainless Steel with Clear Epoxy Coat</p>	<p><b>W:</b> 02 <b>H:</b> 18 <b>D:</b> 24</p> <p>For 26"-29" Cabinet Depths Stainless Steel with Clear Epoxy Coat</p>
<b>10967</b>	<b>10968</b>	<b>10969</b>
		

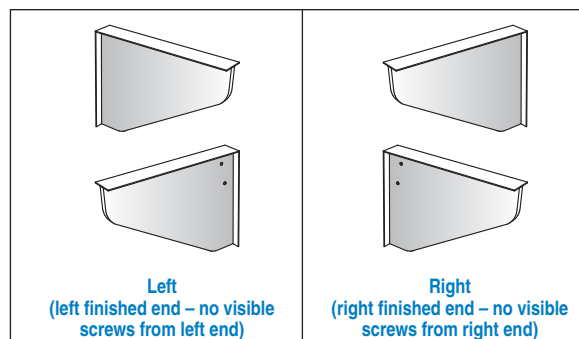
## Counter Supports

Available with left or right finished end.

Wall mounted supports require inner wall blocking at top and bottom of support to allow proper anchorage. See Design Information section for blocking location details.

Counter Supports				
<p><b>W:</b> 00 <b>H:</b> 16 <b>D:</b> 21,24</p> <p>Laminate Panel with Black Metal Cleat 21D: For 21"-23" Cabinet Depths 24D: For 24"-29" Cabinet Depths</p>	<p><b>W:</b> 00 <b>H:</b> 21 <b>D:</b> 16</p> <p>Laminate Panel with Black Metal Cleat For 17"-21" Cabinet Depths</p>	<p><b>W:</b> 00 <b>H:</b> 16 <b>D:</b> 21,24</p> <p>Apron Counter Support Laminate Panel with Black Metal Cleat 21D: For 21"-23" Cabinet Depths 24D: For 24"-29" Cabinet Depths</p>	<p><b>W:</b> 00 <b>H:</b> 16 <b>D:</b> 21,24</p> <p>Laminate Panel with Black Metal Cleat 21D: For 21"-23" Cabinet Depths 24D: For 24"-29" Cabinet Depths</p>	<p><b>W:</b> 00 <b>H:</b> 21 <b>D:</b> 16</p> <p>Laminate Panel with Black Metal Cleat For 17"-21" Cabinet Depths</p>
<b>10850</b>	<b>10851</b>	<b>10854</b>	<b>10858</b>	<b>10859</b>
				

Counter Supports				
<p><b>W:</b> 00 <b>H:</b> 16 <b>D:</b> 21,24</p> <p>Standard Wire Chase Cutout Laminate Panel with Black Metal Cleat 21D: For 21"-23" Cabinet Depths 24D: For 24"-29" Cabinet Depths</p>	<p><b>W:</b> 00 <b>H:</b> 21 <b>D:</b> 16</p> <p>Standard Wire Chase Cutout Laminate Panel with Black Metal Cleat For 17"-21" Cabinet Depths</p>	<p><b>W:</b> 00 <b>H:</b> 16 <b>D:</b> 21,24</p> <p>Apron Counter Support Standard Wire Chase Cutout Laminate Panel with Black Metal Cleat 21D: For 21"-23" Cabinet Depths 24D: For 24"-29" Cabinet Depths</p>	<p><b>W:</b> 00 <b>H:</b> 16 <b>D:</b> 21,24</p> <p>Standard Wire Chase Cutout Laminate Panel with Black Metal Cleat 21D: For 21"-23" Cabinet Depths 24D: For 24"-29" Cabinet Depths</p>	<p><b>W:</b> 00 <b>H:</b> 21 <b>D:</b> 16</p> <p>Standard Wire Chase Cutout Laminate Panel with Black Metal Cleat For 17"-21" Cabinet Depths</p>
<b>10852</b>	<b>10853</b>	<b>10856</b>	<b>10860</b>	<b>10861</b>
				



# ACCESSORIES



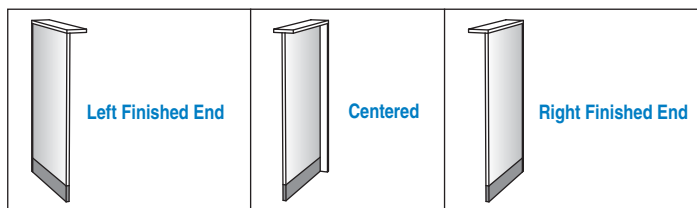
## Pedestals






Available with left finished end, centered or with right finished end.






Pedestals				
<b>W:</b> 00,01 <b>H:</b> 29,32,35,39,41 <b>D:</b> 14,18,21,24,29	<b>W:</b> 00,01 <b>H:</b> 29,32,35,39,41 <b>D:</b> 14,18,21,24,29	<b>W:</b> 00,01 <b>H:</b> 29,32,35,39,41 <b>D:</b> 14,18,21,24,29  Apron Pedestal	<b>W:</b> 00,01 <b>H:</b> 29,32,35,39,41 <b>D:</b> 14,18,21,24,29	<b>W:</b> 00,01 <b>H:</b> 29,32,35,39,41 <b>D:</b> 14,18,21,24,29
<b>10912</b>	<b>10916</b>	<b>10920</b>	<b>10924</b>	<b>10928</b>

Pedestals				
<b>W:</b> 00,01 <b>H:</b> 29,32,35,39,41 <b>D:</b> 14,18,21,24,29  Standard Wire Chase Cutout	<b>W:</b> 00,01 <b>H:</b> 29,32,35,39,41 <b>D:</b> 14,18,21,24,29  Standard Wire Chase Cutout	<b>W:</b> 00,01 <b>H:</b> 29,32,35,39,41 <b>D:</b> 14,18,21,24,29  Apron Pedestal Standard Wire Chase Cutout	<b>W:</b> 00,01 <b>H:</b> 29,32,35,39,41 <b>D:</b> 14,18,21,24,29  Standard Wire Chase Cutout	<b>W:</b> 00,01 <b>H:</b> 29,32,35,39,41 <b>D:</b> 14,18,21,24,29  Standard Wire Chase Cutout
<b>10913</b>	<b>10917</b>	<b>10921</b>	<b>10925</b>	<b>10929</b>

Pedestals				
Same as 10913, except has Custom Wire Chase Cutout	Same as 10917, except has Custom Wire Chase Cutout	Same as 10921, except has Custom Wire Chase Cutout	Same as 10925, except has Custom Wire Chase Cutout	Same as 10929, except has Custom Wire Chase Cutout
<b>10914</b>	<b>10918</b>	<b>10922</b>	<b>10926</b>	<b>10930</b>



Pedestals				
<b>W:</b> 00,01 <b>H:</b> 29,32,35,39,41 <b>D:</b> 14,18,21,24,29  Includes 4 L-brackets	<b>W:</b> 00,01 <b>H:</b> 29,32,35,39,41 <b>D:</b> 14,18,21,24,29  Includes 4 L-brackets	<b>W:</b> 00,01 <b>H:</b> 29,32,35,39,41 <b>D:</b> 14,18,21,24,29  Apron Pedestal Includes 4 L-brackets	<b>W:</b> 00,01 <b>H:</b> 29,32,35,39,41 <b>D:</b> 14,18,21,24,29  Includes 4 L-brackets	<b>W:</b> 00,01 <b>H:</b> 29,32,35,39,41 <b>D:</b> 14,18,21,24,29  Includes 4 L-brackets
<b>10812</b>	<b>10816</b>	<b>10820</b>	<b>10824</b>	<b>10828</b>
				

Pedestals				
<b>W:</b> 00,01 <b>H:</b> 29,32,35,39,41 <b>D:</b> 14,18,21,24,29  Standard Wire Chase Cutout Includes 4 L-brackets	<b>W:</b> 00,01 <b>H:</b> 29,32,35,39,41 <b>D:</b> 14,18,21,24,29  Standard Wire Chase Cutout Includes 4 L-brackets	<b>W:</b> 00,01 <b>H:</b> 29,32,35,39,41 <b>D:</b> 14,18,21,24,29  Apron Pedestal Standard Wire Chase Cutout Includes 4 L-brackets	<b>W:</b> 00,01 <b>H:</b> 29,32,35,39,41 <b>D:</b> 14,18,21,24,29  Standard Wire Chase Cutout Includes 4 L-brackets	<b>W:</b> 00,01 <b>H:</b> 29,32,35,39,41 <b>D:</b> 14,18,21,24,29  Standard Wire Chase Cutout Includes 4 L-brackets
<b>10813</b>	<b>10817</b>	<b>10821</b>	<b>10825</b>	<b>10829</b>
				

Pedestals				
Same as 10813, except has Custom Wire Chase Cutout	Same as 10817, except has Custom Wire Chase Cutout	Same as 10821, except has Custom Wire Chase Cutout	Same as 10825, except has Custom Wire Chase Cutout	Same as 10829, except has Custom Wire Chase Cutout
<b>10814</b>	<b>10818</b>	<b>10822</b>	<b>10826</b>	<b>10830</b>

# ACCESSORIES

## Concealed Brackets / Laminated Shelves



### Concealed Brackets

**W:** 02  
**H:** 12  
**D:** 09

Available in Black, Grey, White  
All Welds on Reverse for Easy, Clean Install  
Recommend Backing When Used with Metal Studs

**10975**



**W:** 02  
**H:** 12  
**D:** 12

Available in Black, Grey, White  
All Welds on Reverse for Easy, Clean Install  
Recommend Backing When Used with Metal Studs

**10976**



**W:** 02  
**H:** 12  
**D:** 15

Available in Black, Grey, White  
All Welds on Reverse for Easy, Clean Install  
Recommend Backing When Used with Metal Studs

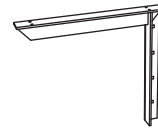
**10977**



**W:** 02  
**H:** 18  
**D:** 18

Available in Black, Grey, White  
All Welds on Reverse for Easy, Clean Install  
Recommend Backing When Used with Metal Studs

**10978**



### Concealed Brackets

**W:** 02  
**H:** 18  
**D:** 21

Available in Black, Grey, White  
All Welds on Reverse for Easy, Clean Install  
Recommend Backing When Used with Metal Studs

**10979**



**W:** 02  
**H:** 18  
**D:** 24

Available in Black, Grey, White  
All Welds on Reverse for Easy, Clean Install  
Recommend Backing When Used with Metal Studs

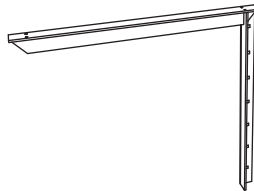
**10980**



**W:** 02  
**H:** 30  
**D:** 30

Available in Black, White  
All Welds on Reverse for Easy, Clean Install  
Recommend Backing When Used with Metal Studs

**10981**



### Drop Edge Shelves (HPL)

#### 3/4"-Thick

**W:** 06,12,18,24,30,36,42,48,54,60,66,72,78,84,90,96  
**H:** 01,02,03,04,05,06  
**D:** 03,06,09,12,15,18,21,24,27,30,33,36,39,42,45,48

High Pressure Laminate  
3/4" Shelf Thickness  
Height (H) Represents Height of Drop Edge

**10934**



#### 1"-Thick










**W:** 06,12,18,24,30,36,42,48,54,60,66,72,78,84,90,96  
**H:** 01,02,03,04,05,06  
**D:** 03,06,09,12,15,18,21,24,27,30,33,36,39,42,45,48

High Pressure Laminate  
1" Shelf Thickness  
Height (H) Represents Height of Drop Edge

**10935**





<p><b>KV82 Heavy Duty Series</b></p> <p><b>Heavy Duty Upright</b></p> <p><b>W:</b> 01 <b>H:</b> 17,28,39,48,63,78 <b>D:</b> 00</p> <p>Powder Coated 14-Gauge Steel Double Slot Design Available in Black, Grey, White</p>	<p><b>KV87 Super Duty Series</b></p> <p><b>Super Duty Upright</b></p> <table border="1"> <tr> <td> <p><b>W:</b> 01 <b>H:</b> 24,36,48,60,72 <b>D:</b> 00</p> <p>Anochrome Finish 12-Gauge Steel</p> </td> <td> <p><b>W:</b> 01 <b>H:</b> 24,36,48,60,72 <b>D:</b> 00</p> <p>White Powder Coated 12-Gauge Steel</p> </td> <td> <p><b>W:</b> 01 <b>H:</b> 24,36,48,60,72 <b>D:</b> 00</p> <p>Stainless Steel 14-Gauge</p> </td> </tr> </table>			<p><b>W:</b> 01 <b>H:</b> 24,36,48,60,72 <b>D:</b> 00</p> <p>Anochrome Finish 12-Gauge Steel</p>	<p><b>W:</b> 01 <b>H:</b> 24,36,48,60,72 <b>D:</b> 00</p> <p>White Powder Coated 12-Gauge Steel</p>	<p><b>W:</b> 01 <b>H:</b> 24,36,48,60,72 <b>D:</b> 00</p> <p>Stainless Steel 14-Gauge</p>	
<p><b>W:</b> 01 <b>H:</b> 24,36,48,60,72 <b>D:</b> 00</p> <p>Anochrome Finish 12-Gauge Steel</p>	<p><b>W:</b> 01 <b>H:</b> 24,36,48,60,72 <b>D:</b> 00</p> <p>White Powder Coated 12-Gauge Steel</p>	<p><b>W:</b> 01 <b>H:</b> 24,36,48,60,72 <b>D:</b> 00</p> <p>Stainless Steel 14-Gauge</p>					
<p><b>15901</b></p> 	<p><b>15910</b></p> 	<p><b>15911</b></p> 	<p><b>15912</b></p> 				
<p><b>KV82 Heavy Duty Series</b></p> <p><b>Heavy Duty Bracket</b></p> <p><b>W:</b> 00 <b>H:</b> 03 <b>D:</b> 11,13,15,19</p> <p>Powder Coated 16-Gauge Steel Vertically Adjustable in 1 1/4" Increments Double Lug Design Available in Black, Grey, White</p>	<p><b>KV87 Super Duty Series</b></p> <table border="1"> <tr> <td> <p><b>Super Duty Bracket</b></p> <p><b>W:</b> 00 <b>H:</b> 04 <b>D:</b> 08,10,14,18,20,22</p> <p>Anochrome Finish 12-Gauge Steel Vertically Adjustable in 2" Increments Cam Lock Lever</p> </td> <td> <p><b>Super Duty Bracket</b></p> <p><b>W:</b> 00 <b>H:</b> 04 <b>D:</b> 08,10,14,18,20,22</p> <p>White Powder Coated 12-Gauge Steel Vertically Adjustable in 2" Increments Cam Lock Lever</p> </td> <td> <p><b>Super Duty Bracket</b></p> <p><b>W:</b> 00 <b>H:</b> 04 <b>D:</b> 08,10,14,18,20</p> <p>Stainless Steel 14-Gauge Vertically Adjustable in 2" Increments Cam Lock Lever</p> </td> <td> <p><b>Center Rest</b></p> <p><b>W:</b> 01 <b>H:</b> 00 <b>D:</b> 01</p> <p>Anochrome Finish Use with Super Duty Brackets to Anchor Shelf to Bracket and/or Join Two Shelves</p> </td> </tr> </table>			<p><b>Super Duty Bracket</b></p> <p><b>W:</b> 00 <b>H:</b> 04 <b>D:</b> 08,10,14,18,20,22</p> <p>Anochrome Finish 12-Gauge Steel Vertically Adjustable in 2" Increments Cam Lock Lever</p>	<p><b>Super Duty Bracket</b></p> <p><b>W:</b> 00 <b>H:</b> 04 <b>D:</b> 08,10,14,18,20,22</p> <p>White Powder Coated 12-Gauge Steel Vertically Adjustable in 2" Increments Cam Lock Lever</p>	<p><b>Super Duty Bracket</b></p> <p><b>W:</b> 00 <b>H:</b> 04 <b>D:</b> 08,10,14,18,20</p> <p>Stainless Steel 14-Gauge Vertically Adjustable in 2" Increments Cam Lock Lever</p>	<p><b>Center Rest</b></p> <p><b>W:</b> 01 <b>H:</b> 00 <b>D:</b> 01</p> <p>Anochrome Finish Use with Super Duty Brackets to Anchor Shelf to Bracket and/or Join Two Shelves</p>
<p><b>Super Duty Bracket</b></p> <p><b>W:</b> 00 <b>H:</b> 04 <b>D:</b> 08,10,14,18,20,22</p> <p>Anochrome Finish 12-Gauge Steel Vertically Adjustable in 2" Increments Cam Lock Lever</p>	<p><b>Super Duty Bracket</b></p> <p><b>W:</b> 00 <b>H:</b> 04 <b>D:</b> 08,10,14,18,20,22</p> <p>White Powder Coated 12-Gauge Steel Vertically Adjustable in 2" Increments Cam Lock Lever</p>	<p><b>Super Duty Bracket</b></p> <p><b>W:</b> 00 <b>H:</b> 04 <b>D:</b> 08,10,14,18,20</p> <p>Stainless Steel 14-Gauge Vertically Adjustable in 2" Increments Cam Lock Lever</p>	<p><b>Center Rest</b></p> <p><b>W:</b> 01 <b>H:</b> 00 <b>D:</b> 01</p> <p>Anochrome Finish Use with Super Duty Brackets to Anchor Shelf to Bracket and/or Join Two Shelves</p>				
<p><b>15905</b></p> 	<p><b>15914</b></p> 	<p><b>15915</b></p> 	<p><b>15916</b></p> 	<p><b>15920</b></p> 			

# ACCESSORIES

## Mirrors



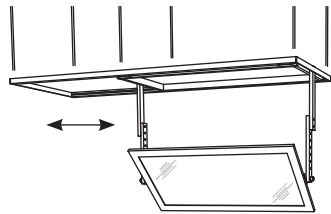
### Demonstration Mirror

#### Movable Ceiling Mount Demonstration Mirror

**W:** 48,59,72  
**H:** Varies  
**D:** 28

Track Length = 96"  
 12" Adjustment to Accommodate Ceiling Height  
 Ceiling Mounted with 1/2" Threaded Rods (included)  
 48W = 47W Mirror Frame  
 59W = 58W Mirror Frame  
 72W = 71W Mirror Frame

**10958**

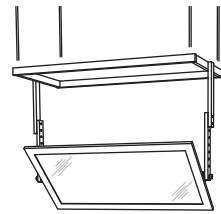


#### Ceiling Mount Demonstration Mirror

**W:** 48,59,72  
**H:** Varies  
**D:** 26

12" Adjustment to Accommodate Ceiling Height  
 Ceiling Mounted with 1/2" Threaded Rods (included)  
 48W = 47W Mirror Frame  
 59W = 58W Mirror Frame  
 72W = 71W Mirror Frame

**10959**

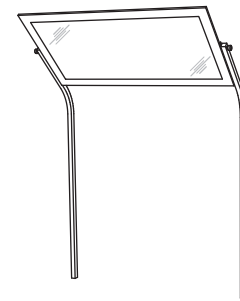


#### Cabinet Mount Pivoting Demonstration Mirror

**W:** 48,59  
**H:** Varies  
**D:** 26

48W=43W Mirror Frame for Cabinets 48W and Wider  
 59W=54W Mirror Frame for Cabinets 59W and Wider

**10960**

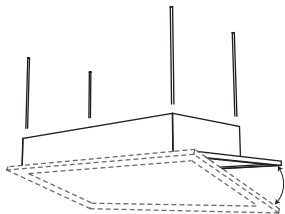


#### Motorized Visual Aid Mirror

**W:** 67  
**H:** Varies  
**D:** 26

Ceiling Mounted with 1/2" Threaded Rods (included)  
 67" x 26" Framed Mirror  
 Motorized 110V Tilt with Power Remote

**10961**




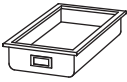
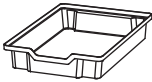
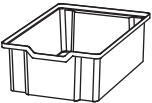
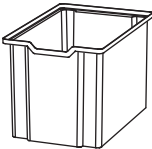
#### Wardrobe Mirror

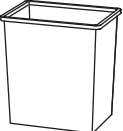
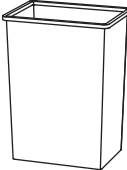
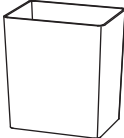
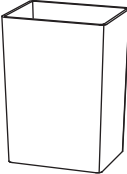
**W:** 10  
**H:** 10  
**D:** 00

Acrylic  
 Adhesive Backed

**10898**



Tray		Bin		
<b>W:</b> 14 <b>H:</b> 04 <b>D:</b> 19  Pearl White Molded Tray Card Holder on 14 <sup>1</sup> / <sub>4</sub> " Side Outside Dimensions: 14 <sup>1</sup> / <sub>4</sub> W x 3 <sup>1</sup> / <sub>2</sub> H x 19D Inside Dimensions: 12 <sup>3</sup> / <sub>4</sub> W x 3 <sup>1</sup> / <sub>2</sub> H x 17 <sup>1</sup> / <sub>4</sub> D	<b>W:</b> 10 <b>H:</b> 04 <b>D:</b> 19  Pearl White Molded Tray Card Holder on 10" Side Outside Dimensions: 10W x 3 <sup>1</sup> / <sub>2</sub> H x 19D Inside Dimensions: 8 <sup>1</sup> / <sub>2</sub> W x 3 <sup>1</sup> / <sub>2</sub> H x 17 <sup>1</sup> / <sub>4</sub> D	<b>W:</b> 12 <b>H:</b> 03 <b>D:</b> 17  Molded Translucent Bin Outside Dimensions: 12 <sup>1</sup> / <sub>4</sub> W x 3H x 16 <sup>3</sup> / <sub>4</sub> D Inside Dimensions: 10 <sup>5</sup> / <sub>8</sub> W x 3H x 14 <sup>1</sup> / <sub>4</sub> D	<b>W:</b> 12 <b>H:</b> 06 <b>D:</b> 17  Molded Translucent Bin Outside Dimensions: 12 <sup>1</sup> / <sub>4</sub> W x 6H x 16 <sup>3</sup> / <sub>4</sub> D Inside Dimensions: 10 <sup>5</sup> / <sub>8</sub> W x 6H x 14 <sup>1</sup> / <sub>4</sub> D	<b>W:</b> 12 <b>H:</b> 12 <b>D:</b> 17  Molded Translucent Bin Outside Dimensions: 12 <sup>1</sup> / <sub>4</sub> W x 12H x 16 <sup>3</sup> / <sub>4</sub> D Inside Dimensions: 10 <sup>5</sup> / <sub>8</sub> W x 12H x 14 <sup>1</sup> / <sub>4</sub> D
<b>SA901</b>	<b>SA902</b>	<b>SA910</b>	<b>SA911</b>	<b>SA912</b>
				

Trash Bin		Fire Resistant Trash Bin	
<b>W:</b> 14 <b>H:</b> 15 <b>D:</b> 10  Plastic with Rolled Rim 28-qt. / 7-gal. Capacity Outside Dimensions: 14 <sup>3</sup> / <sub>8</sub> W x 15H x 10 <sup>1</sup> / <sub>4</sub> D	<b>W:</b> 15 <b>H:</b> 20 <b>D:</b> 11  Plastic with Rolled Rim 40-qt. / 10-gal. Capacity Outside Dimensions: 15 <sup>1</sup> / <sub>4</sub> W x 20H x 11 <sup>1</sup> / <sub>8</sub> D	<b>W:</b> 15 <b>H:</b> 16 <b>D:</b> 11  Fiberglass Construction 28-qt. / 7-gal. Capacity Outside Dimensions: 14 <sup>1</sup> / <sub>2</sub> W x 15 <sup>1</sup> / <sub>2</sub> H x 10 <sup>1</sup> / <sub>2</sub> D	<b>W:</b> 15 <b>H:</b> 20 <b>D:</b> 12  Fiberglass Construction 40-qt. / 10-gal. Capacity Outside Dimensions: 15W x 20 <sup>1</sup> / <sub>4</sub> H x 11 <sup>1</sup> / <sub>2</sub> D
<b>10904</b>	<b>10905</b>	<b>10906</b>	<b>10907</b>
			

# ACCESSORIES

## Trays

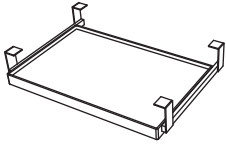


### Keyboard Tray

**W:** 25  
**H:** 04  
**D:** 15

Black Molded Keyboard Tray  
22W x 9D Keyboard Space  
Requires 24 1/2" Opening

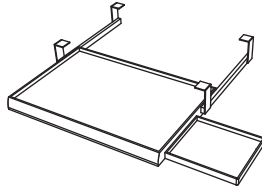
**10880**



**W:** 25  
**H:** 05  
**D:** 15

Black Molded Keyboard Tray  
with Mouse Extension  
22W x 9D Keyboard Space  
8W x 9D Mouse Extension  
(Left or Right)  
Requires 24 1/2" Opening

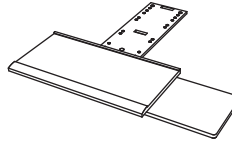
**10881**



**W:** 21  
**H:** 03  
**D:** 17

Black Articulating Adjustable  
Arm and Keyboard Tray with  
Mouse Extension  
21W x 9D Keyboard Space  
9W x 9D Mouse Extension

**10884**

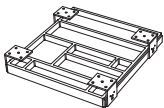


### Pencil Drawer Tray

**W:** 13  
**H:** 01  
**D:** 14

Black Molded Compartment Tray  
Compartments May Vary From  
Illustration

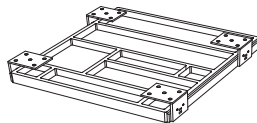
**10879**



**W:** 22  
**H:** 01  
**D:** 16

Black Molded Compartment Tray  
Compartments May Vary From  
Illustration

**10882**



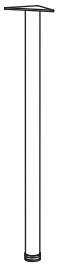

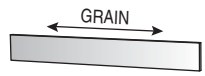
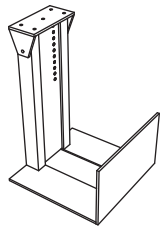
### Pin Tray



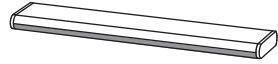
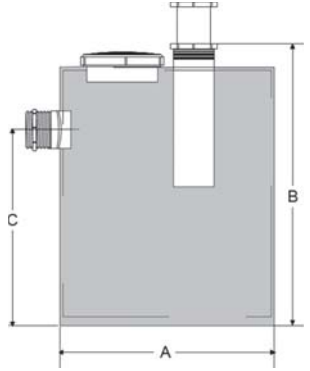
**W:** 11  
**H:** 01  
**D:** 03

Black

**10945**






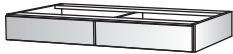
Tube Leg	Wall Angle	Laminated Wall Cleat	CPU Mount
<b>W:</b> 02 <b>H:</b> 29,32,35 <b>D:</b> 02  Adjustable Leveler Powder Coated Black or Grey Chrome	<b>W:</b> 21 <b>H:</b> 01 <b>D:</b> 01  To Attach Countertop to Wall or Adjacent Structure Black	<b>W:</b> 24,30,48,96 <b>H:</b> 04,06 <b>D:</b> 00  3/4" Edgebanded Laminated Cleat	<b>W:</b> 09 <b>H:</b> 13 <b>D:</b> 05  Fixed Mount Width Adjustment: 5 1/2" to 9 1/4" Height Adjustment: 13 3/8" to 20 1/2" Black
<b>10832</b>	<b>10838</b>	<b>10890</b>	<b>10894</b>
			


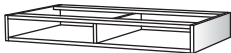
Chase Strut	Titejoint Fastener Jig	Task Light	Plaster/Sediment Trap								
<b>W:</b> 02 <b>H:</b> 29,32,35,40 <b>D:</b> 06,08,12  Actual Depths Match Chase Sizes Shown in Design Information Section (see chart below)	<b>W:</b> 25 <b>H:</b> 00 <b>D:</b> 06  Actual Size: 25W x 6D x 3/4" Thick Template for Routing Countertops in the Field for Application of Titejoint Fasteners Titejoint Fasteners Not Included	<b>W:</b> 18,21,36 <b>H:</b> 02 <b>D:</b> 04  Mounts Under Wall and Valance Cabinets	White Translucent Poly 1 1/2 Gallon Sediment Trap 2 Inlets (1 1/2") 1 Outlet (2") 1 Cleanout (3")  Dimensions Shown in Illustration: <b>A:</b> 09 <b>B:</b> 12 <b>C:</b> 6 7/8								
<b>10933</b>	<b>10974</b>	<b>15890</b>	<b>52P97</b>								
 <table border="1" data-bbox="284 1585 487 1848"> <thead> <tr> <th>Nominal Depth</th> <th>Actual Depth</th> </tr> </thead> <tbody> <tr> <td>06</td> <td>Adjustable for chase sizes 5" to 6 1/2"</td> </tr> <tr> <td>08</td> <td>Adjustable for chase sizes 6 1/2" to 8"</td> </tr> <tr> <td>12</td> <td>Adjustable for chase sizes 10" to 12"</td> </tr> </tbody> </table>	Nominal Depth	Actual Depth	06	Adjustable for chase sizes 5" to 6 1/2"	08	Adjustable for chase sizes 6 1/2" to 8"	12	Adjustable for chase sizes 10" to 12"			
Nominal Depth	Actual Depth										
06	Adjustable for chase sizes 5" to 6 1/2"										
08	Adjustable for chase sizes 6 1/2" to 8"										
12	Adjustable for chase sizes 10" to 12"										

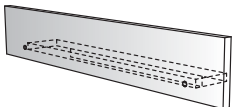
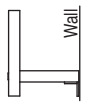
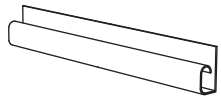
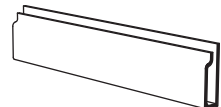
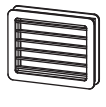
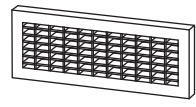
# ACCESSORIES

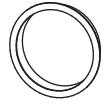




## Miscellaneous



Apron Support		Apron Drawer	
<p><b>W:</b> 24,30,36,42,48,60,96 <b>H:</b> 04,06 <b>D:</b> 00</p> <p>04H = 4" 06H = 6 1/8"</p>	<p><b>W:</b> 15,18,21,24,27,30,33,36 <b>H:</b> 04,06 <b>D:</b> 18,24</p> <p>Single Apron Drawer 04H = 4" 06H = 6 1/8"</p>	<p><b>W:</b> 15,18,21,24,27,30,33,36 <b>H:</b> 04,06 <b>D:</b> 18,24</p> <p>Single Apron Drawer with Pull 04H = 4" 06H = 6 1/8"</p>	<p><b>W:</b> 30,36,42,48 <b>H:</b> 04,06 <b>D:</b> 18,24</p> <p>Double Apron Drawer 04H = 4" 06H = 6 1/8"</p>
<b>10870</b>	<b>10876</b>	<b>10877</b>	<b>10878</b>
			

Book Compartment	
<p><b>W:</b> 15,18,21,24,27,30,33,36 <b>H:</b> 04,06 <b>D:</b> 18,24</p> <p>Single Book Compartment 04H = 4" 06H = 6 1/8"</p>	<p><b>W:</b> 30,36,42,48 <b>H:</b> 04,06 <b>D:</b> 18,24</p> <p>Double Book Compartment 04H = 4" 06H = 6 1/8"</p>
<b>10872</b>	<b>10874</b>
	

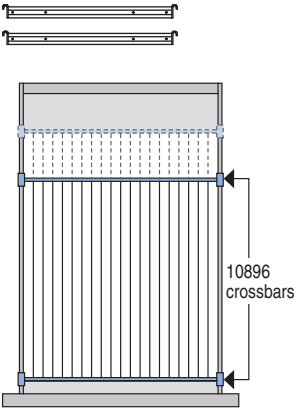
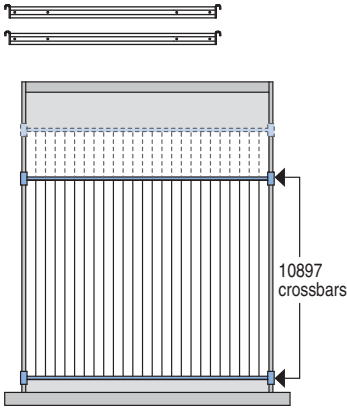
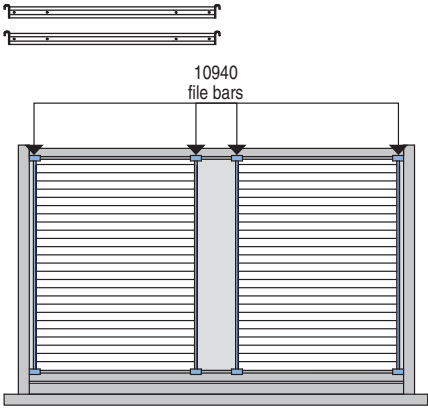
Wire Chase	Wire Race Channel		Vent	
<b>W:</b> 24,30,33,36,39,42,45,48 <b>H:</b> 06 <b>D:</b> 05  Laminated Wire Chase	<b>W:</b> 48,96 <b>H:</b> 02 <b>D:</b> 01  Black Extrusion Adhesive Backed Actual Size: 2 <sup>3</sup> / <sub>8</sub> H x 1 <sup>1</sup> / <sub>8</sub> D	<b>W:</b> 48,96 <b>H:</b> 03 <b>D:</b> 01  Black Extrusion Actual Size: 3 <sup>1</sup> / <sub>4</sub> H	<b>W:</b> 04 <b>H:</b> 03 <b>D:</b> 00  CPU Vent Available in Black, Grey, White	<b>W:</b> 09 <b>H:</b> 03 <b>D:</b> 00  Door Vent Available in Black, Grey, White Two Per Cutout Required
<b>10885</b>	<b>10886</b>	<b>10887</b>	<b>10892</b>	<b>10893</b>
   Side View				



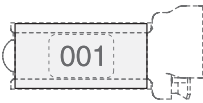
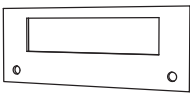
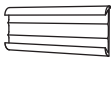
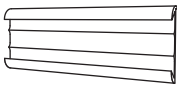
Trash Grommet		Grommet		
<b>W:</b> 07 <b>H:</b> 07 <b>D:</b> 01  Available in Black, Grey, White	<b>W:</b> 07 <b>H:</b> 07 <b>D:</b> 01  Stainless Steel	<b>W:</b> 03 <b>H:</b> 01 <b>D:</b> 03  2 <sup>3</sup> / <sub>8</sub> " Diameter Pass-Thru Available in Black, Grey, White Actual Size: 2 <sup>3</sup> / <sub>4</sub> " dia. x 7 <sup>7</sup> / <sub>8</sub> H	<b>W:</b> 04 <b>H:</b> 01 <b>D:</b> 04  3 <sup>1</sup> / <sub>4</sub> " Diameter Pass-Thru Available in Black, Grey, White Actual Size: 3 <sup>5</sup> / <sub>8</sub> " dia. x 1H	<b>W:</b> 04 <b>H:</b> 01 <b>D:</b> 04  Flip Top Design 2 <sup>13</sup> / <sub>16</sub> " Diameter Pass-Thru Black Fits 3" Diameter Hole Actual Size: 3 <sup>1</sup> / <sub>2</sub> " dia. x 5 <sup>5</sup> / <sub>8</sub> H Cord Slot Size: 7 <sup>7</sup> / <sub>8</sub> " x 1 <sup>3</sup> / <sub>8</sub> "
<b>10888</b>	<b>10889</b>	<b>10891</b>	<b>10895</b>	<b>10965</b>
				

# ACCESSORIES

## Miscellaneous



File Crossbars		File Bars
<p><b>W:</b> 15 <b>H:</b> 01 <b>D:</b> 00</p> <p>Pair of Crossbars for 15W File Drawers (Letter) Allow Side Filing</p>	<p><b>W:</b> 18 <b>H:</b> 01 <b>D:</b> 00</p> <p>Pair of Crossbars for 18W File Drawers (Legal) Allow Side Filing</p>	<p><b>W:</b> 00 <b>H:</b> 01 <b>D:</b> 18</p> <p>1 Pair of File Bars for Lateral File Drawers Allow Front-to-Back Filing 1 Pair Required for 24W-27W Lateral File Drawers 2 Pairs Required for 30W-42W Lateral File Drawers</p>
<p><b>10896</b></p>  <p>Letter File Drawer with optional crossbars installed for side filing</p>	<p><b>10897</b></p>  <p>Legal File Drawer with optional crossbars installed for side filing</p>	<p><b>10940</b></p>  <p>Lateral File Drawer with two pairs of optional file bars installed for front-to-back filing</p>

Numbered Metal Plate Set	Numbered Label Set	Hasp Label Cover	Label Holder		
<p><b>W:</b> 02 <b>H:</b> 01 <b>D:</b> 01,02,03,04</p> <p>Black Enamel-Filled Consecutive Numbers Stamped onto 18-ga. Aluminum Plates Order in Sets of 25 Plates Depth (D) Dimension Indicates Number Range, as follows: 01 = 001-025 02 = 026-050 03 = 051-075 04 = 076-100</p>	<p><b>W:</b> 02 <b>H:</b> 01 <b>D:</b> 01,02,03,04</p> <p>Clear Labels with Consecutive Numbers Fits Standard Lock Hasp Used on Stevens Advantage Cabinets Order in Sets of 50 Labels Depth (D) Dimension Indicates Number Range, as follows: 01 = 001-050 02 = 051-100 03 = 101-150 04 = 151-200 Actual Size: 1½W x 1H</p>	<p><b>W:</b> 03 <b>H:</b> 01 <b>D:</b> 00</p> <p>Clear Acrylic Cover for Lock Hasp Label Fits Standard Lock Hasp Used on Stevens Advantage Cabinets Actual Size: 3W x 1¼H x 1.5mm Thick</p>	<p><b>W:</b> 05 <b>H:</b> 02 <b>D:</b> 00</p> <p>For File Drawers Metal Label Holder with Slot for Label Insert Actual Size: 4⅝W x 1⅜H</p>	<p><b>W:</b> 02 <b>H:</b> 00 <b>D:</b> 00</p> <p>For Shelf Front Edge Self Adhesive Anodized Aluminum Label Holder Actual Size: 2W x ¾H</p>	<p><b>W:</b> 03 <b>H:</b> 01 <b>D:</b> 00</p> <p>For Doors and Drawers Self Adhesive Anodized Aluminum Label Holder Actual Size: 3W x 1⅞H</p>
<p><b>10899</b></p> 	<p><b>10910</b></p> 	<p><b>10883</b></p> 	<p><b>10911</b></p> 	<p><b>10908</b></p> 	<p><b>10909</b></p> 



## Stainless Steel Sinks 18-Gauge Custom – Single Bowl

Specify faucet hole punching required, per illustrations shown below.

Model #	Overall Sink Size (in)			Bowl Size (in)		Outlet
	W (left to right)	H (bowl depth)	D (front to back)	W (left to right)	D (front to back)	
52SL1515AGR	15	6	15	12	9	3 1/2
52SL1613AGR	13	7 1/2	16	10	10	3 1/2
52SL1617AGR	17	7 1/2	16	14	10	3 1/2
52SL17519AGR	19	7 1/2	17 1/2	16	11 1/2	3 1/2
52SL1815AGR	15	7 1/2	18	12	12	3 1/2
52SL1921AGR	21	7 1/2	19	18	14	3 1/2

### Custom Single Bowl 18-gauge/304 alloy



Fixtures  
not included

Specify faucet hole punching required, per illustrations shown below.

Model #	Overall Sink Size (in)			Bowl Size (in)		Outlet
	W (left to right)	H (bowl depth)	D (front to back)	W (left to right)	D (front to back)	
52SLX1617AGR	17	10	16	14	10	3 1/2
52SLX1815AGR	15	9	18	12	12	3 1/2
52SLX1921AGR	21	10 1/2	19	18	14	3 1/2

### Custom Deep Single Bowl 18-gauge/304 alloy



Fixtures  
not included

Specify faucet hole punching required, per illustrations shown below.

Model #	Overall Sink Size (in)			Bowl Size (in)		Outlet
	W (left to right)	H specify depth in 1/2" increments (bowl depth)	D (front to back)	W (left to right)	D (front to back)	
52SLADA1613AGR	13	4 1/2 - 6 1/2	16	10	10	3 1/2
52SLADA1617AGR	17	4 1/2 - 6 1/2	16	14	10	3 1/2
52SLADA17519AGR	19	4 1/2 - 6 1/2	17 1/2	16	11 1/2	3 1/2
52SLADA1815AGR	15	4 1/2 - 6 1/2	18	12	12	3 1/2
52SLADA1921AGR	21	4 1/2 - 6 1/2	19	18	14	3 1/2

### Custom ADA Single Bowl 18-gauge/304 alloy



Fixtures  
not included

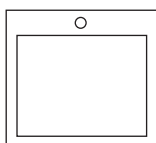
#### Faucet Hole Punching Options – Single Bowl Sinks

Specify faucet hole punching required by adding the appropriate number code.

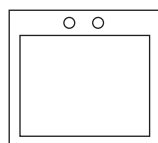
- 1 for (1) hole, centered
- 2 for (2) holes on 4" centers
- 3 for (3) holes on 4" centers

For example:  
specify 52SL1515AGR-3 for 52SL1515AGR  
sink with 3 holes on 4" centers

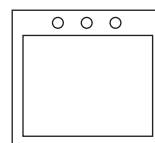
(1) hole, centered



(2) holes on 4" centers



(3) holes on 4" centers



# ACCESSORIES

## Stainless Steel Sinks 18-Gauge Custom – Double Bowl



### Custom Double Bowl 18-gauge/304 alloy

Specify faucet hole punching required, per illustrations shown below.



Fixtures  
not included

Model #	Overall Sink Size (in)			Bowl Size (in)		Outlet
	W (left to right)	H (bowl depth)	D (front to back)	W (left to right)	D (front to back)	
52DL1625AGR	25	7 1/2	16	10	10	3 1/2
52DL17537AGR	37	7 1/2	17 1/2	16	11 1/2	3 1/2
52DL1829AGR	29	7 1/2	18	12	12	3 1/2
52DL1925AGR	25	7 1/2	19	10	14	3 1/2
52DL1933AGR	33	7 1/2	19	14	14	3 1/2

### Custom Deep Double Bowl 18-gauge/304 alloy

Specify faucet hole punching required, per illustrations shown below.



Fixtures  
not included

Model #	Overall Sink Size (in)			Bowl Size (in)		Outlet
	W (left to right)	H (bowl depth)	D (front to back)	W (left to right)	D (front to back)	
52DLX1829AGR	29	9	18	12	12	3 1/2
52DLX1933AGR	33	10 1/2	19	14	14	3 1/2

### Custom ADA Double Bowl 18-gauge/304 alloy

Specify faucet hole punching required, per illustrations shown below.



Fixtures  
not included

Model #	Overall Sink Size (in)			Bowl Size (in)		Outlet
	W (left to right)	H specify depth in 1/2" increments (bowl depth)	D (front to back)	W (left to right)	D (front to back)	
52DLADA1625AGR	25	4 1/2 - 6 1/2	16	10	10	3 1/2
52DLADA17537AGR	37	4 1/2 - 6 1/2	17 1/2	16	11 1/2	3 1/2
52DLADA1829AGR	29	4 1/2 - 6 1/2	18	12	12	3 1/2
52DLADA1925AGR	25	4 1/2 - 6 1/2	19	10	14	3 1/2
52DLADA1933AGR	33	4 1/2 - 6 1/2	19	14	14	3 1/2

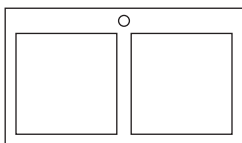
### Faucet Hole Punching Options – Double Bowl Sinks

Specify faucet hole punching required by adding the appropriate number code.

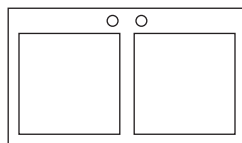
- 1 for (1) hole, centered
- 2 for (2) holes on 4" centers
- 3 for (3) holes on 4" centers
- 4 for (4) holes on 4" centers

For example:  
specify 52DL1625AGR-3 for 52DL1625AGR  
sink with 3 holes on 4" centers

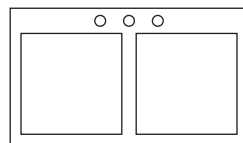
(1) hole, centered



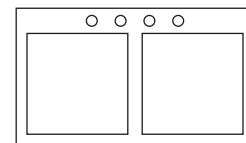
(2) holes on 4" centers



(3) holes on 4" centers



(4) holes on 4" centers



## Stainless Steel Sinks 20-Gauge Custom – Single / Double Bowl

Specify faucet hole punching required, per illustrations shown on page 17.

### Custom Single Bowl 20-gauge/304 alloy

Model #	Overall Sink Size (in)			Bowl Size (in)		Outlet
	W (left to right)	H (bowl depth)	D (front to back)	W (left to right)	D (front to back)	
52SL1515BGR	15	6	15	12	9	3 1/2
52SL1613BGR	13	7	16	10	10	3 1/2
52SL1617BGR	17	7	16	14	10	3 1/2
52SL17519BGR	19	7	17 1/2	16	11 1/2	3 1/2
52SL1815BGR	15	7	18	12	12	3 1/2
52SL1921BGR	21	7	19	18	14	3 1/2



Fixtures  
not included

Specify faucet hole punching required, per illustrations shown on page 18.

### Custom Double Bowl 20-gauge/304 alloy

Model #	Overall Sink Size (in)			Bowl Size (in)		Outlet
	W (left to right)	H (bowl depth)	D (front to back)	W (left to right)	D (front to back)	
52DL1625BGR	25	7	16	10	10	3 1/2
52DL17537BGR	37	7	17 1/2	16	11 1/2	3 1/2
52DL1829BGR	29	7	18	12	12	3 1/2
52DL1925BGR	25	7	19	10	14	3 1/2
52DL1933BGR	33	7	19	14	14	3 1/2



Fixtures  
not included

# ACCESSORIES

## Stainless Steel Sinks Standard



### Standard Single Bowl

Specify faucet hole punching required, per illustrations shown on page 17.



Fixtures  
not included

Model #	Overall Sink Size (in)			Bowl Size (in)		Outlet
	W (left to right)	H (bowl depth)	D (front to back)	W (left to right)	D (front to back)	
5211516	15	5 1/8	15	12	10	3 1/2
5211719	17	6 1/8	19	14	14	3 1/2

### Standard Double Bowl

Specify faucet hole punching required, per illustrations shown on page 18.



Fixtures  
not included

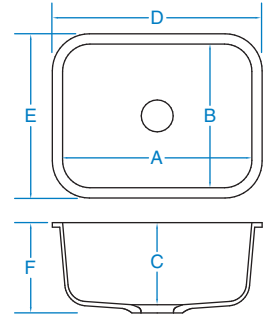
Model #	Overall Sink Size (in)			Bowl Size (in)		Outlet
	W (left to right)	H (bowl depth)	D (front to back)	W (left to right)	D (front to back)	
5223319	33	6 1/4	19	14	14	3 1/2
5222519	25	6 1/4	19	10	14	3 1/2

## Polymer Integral Under-Mount Sinks

Available in White, Soft White and Creme

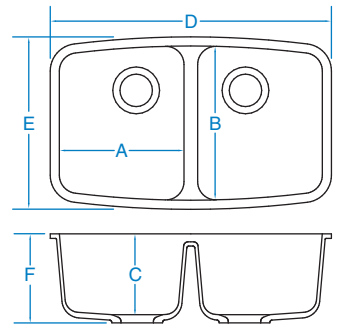
Model #	Bowl Size (in)			Overall Sink Size (in)			Outlet
	A (left to right)	B (front to back)	C (bowl depth)	D (left to right)	E (front to back)	F (depth)	
52K160	20 3/4	15 3/4	9	23	18	9 7/8	3 9/16

### Rectangular Single Bowl



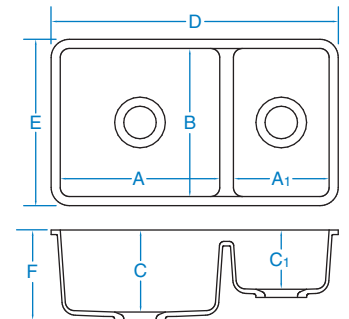
Model #	Bowl Size (in)			Overall Sink Size (in)			Outlet
	A (left to right)	B (front to back)	C (bowl depth)	D (left to right)	E (front to back)	F (depth)	
52K130	13 11/16	16 15/16	8 7/8	30 7/8	18 15/16	9 3/4	3 9/16

### Equal Double Bowl



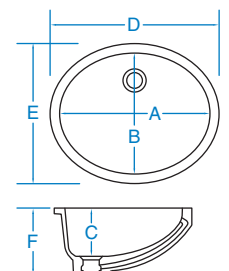
Model #	Large Bowl Size (in)			Overall Sink Size (in)			Outlets
	A (left to right)	B (front to back)	C (bowl depth)	D (left to right)	E (front to back)	F (depth)	
	52K140	17 1/2	16 1/4	9	31 1/2	18 1/4	
	Small Bowl Size (in)						
	A <sub>1</sub> (left to right)	B (front to back)	C <sub>1</sub> (bowl depth)				
	10 1/2	16 1/4	6 1/2				

### Offset Double Bowl



Model #	Bowl Size (in)			Overall Sink Size (in)			Outlet
	A (left to right)	B (front to back)	C (bowl depth)	D (left to right)	E (front to back)	F (depth)	
52V130	16 1/2	13	5 3/8	18 1/2	15	7 1/4	1 3/4

### Oval Vanity



# ACCESSORIES

## Sink Fittings



### Drain Fitting



ADA offset drain. Stainless steel cup strainer with removable basket. 1 1/2" OD chrome plated brass offset.

**52JADA35** Drain Fitting

### Double Bowl Waste Connection



Continuous waste for double compartment sink. 1 1/2" OD chrome plated, with slip fitting at center outlet (specify dimensions centerline to centerline of drain openings).

**52J52S** Double Bowl Waste Connection

### Strainer



Stainless steel cup strainer with removable basket. Basket fitted with rubber stopper. 1 1/2" OD chrome plated 4" tailpiece.

**52J35** Strainer

### Drain with Flat Strainer



Chrome plated brass drain with flat grid strainer. 1 1/2" O.D. chrome plated tailpiece, 4" long.

**52J15FS** Drain with Flat Strainer

### Drain with Flat Strainer



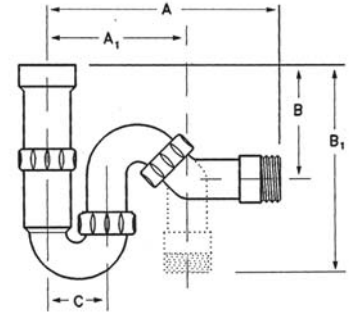
Chrome plated brass drain with flat strainer. 1 1/2" O.D. chrome plated brass tailpiece, 4" long.

**52J35FS** Drain with Flat Strainer

### P or S Universal Trap

Can be used in both a "P" or "S" configuration.

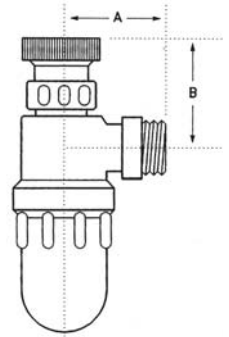
Model #	Dimensions (in)		Dimensions (in)						
	Inlet	Outlet	A	A1	B		B1		C
			MIN	MAX	MIN	MAX	MIN	MAX	
52P91	1 1/2 NPS	1 1/2 NPT	2 1/2	7 1/4	5 3/4	10 1/2	9 1/8	6	2 1/2



### Bottle Trap

Made of polyolefin material.  
Conforms to ASTM #F1412-92.

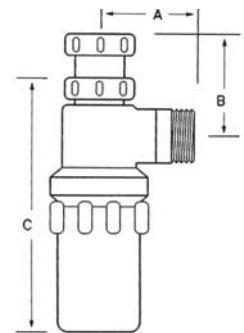
Model #	Inlet	Outlet	A	Dimensions (in)	
				MIN	MAX
52P96	1 1/2 NPS	1 1/2 NPT	3	3	7 1/4



### Anti-Syphon Bottle Trap

Anti-syphon action with additional bowl capacity.

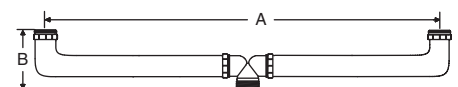
Model #	Size	A	Dimensions (in)		C
			MIN	MAX	
52P95	1 1/2	3	2	4 1/4	7 3/8



### Double Bowl Waste Assembly

Inlets 1 1/2" NPS. Outlet 1 1/2" NPS.

Model #	Dimensions (in)		
	A MAX	A MIN	B
52P12	21 5/8	4 1/2	4 5/8



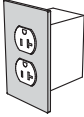

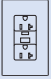

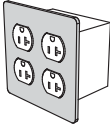
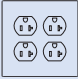
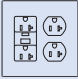
# ACCESSORIES

## Service Fittings Electrical Fittings



### ELECTRICAL FITTINGS

- Grey duplex outlet and grey GFI duplex.
- Stainless steel cover plates.

		20 AMP, 125V Straight Blade (Duplex)	20 AMP, 125V Straight Blade (GFI)	DATA Outlet (CAT 5 Duplex Jack)
Single Gang Flush Mount	 (Duplex shown)	<b>52366D</b> (1) Duplex 	<b>52366G</b> (1) GFI 	<b>52366J</b> (1) Duplex Jack 
Double Gang Flush Mount	 (Duplexes shown)	<b>52368D</b> (2) Duplexes 	<b>52368G</b> (1) GFI (1) Duplex 	



### BALL VALVES

- Forged brass with polished chrome finish.
- Serrated hose end.
- Valves have floating chrome plated brass ball and molded TFE seals.
- On/off control of air, gas, and vacuum, with working pressure up to 75 PSI.
- Chrome plated forged lever handle.
- 3/8" IPS mounting shank.

Specify index code by using symbol shown below as a suffix to model numbers. (e.g., 52200 AIR)

┆	<b>52200</b>	Standard, Single Valve
K	<b>52201</b>	Standard, Double Valve 90° wye

Ball Valve  
Air/Gas/Vacuum, Panel Mount



Specify index code by using symbol shown below as a suffix to model numbers. (e.g., 52206 AIR)

○	<b>52206</b>	Standard, Single Valve
⊗	<b>52207</b>	Standard, Double Valve 90°
⊙	<b>52208</b>	Standard, Double Valve 180°
⊗	<b>52209</b>	Standard, Quad Valve

Ball Valve  
Air/Gas/Vacuum, Deck Mount



#### STANDARD INDEXING

Air  
Cold Water  
Gas  
Hot Water  
Vacuum

#### INDEX COLOR

Orange  
Green  
Blue  
Red  
Yellow

#### LETTER COLOR

Black  
White  
White  
White  
Black

#### SYMBOL

AIR  
CW  
GAS  
HW  
VAC

Specify index code for color-coded discs by using symbols shown as a suffix to model numbers (e.g., 52200 GAS).

# ACCESSORIES

## Service Fittings Single Service Faucets



### SINGLE SERVICE AND MIXING FAUCETS

- Faucet bodies are cast brass with chrome plated finish.
- Faucets provided with brass four-arm handles with color-coded index discs.
- Outlets are 3/8" IPS female with removable aerator.
- Valves are self-contained renewable with replaceable stainless steel seats.
- Faucets are assembled and factory tested.

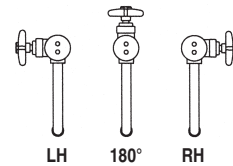
#### Single Service Faucet Vacuum Breaker, Deck Mount



Specify index code by using symbol shown on page 25 as a suffix to model numbers. (e.g., 52260-6A HW)

Deck mounted for hot or cold water. 6" rigid gooseneck. Integral vacuum breaker. 1/2" IPS with 1/2" OD slipjoints. 3/8" NPS female outlet with removable aerator.

- 52260-6A** Standard LH
- 52261-6A** Standard 180°
- 52262-6A** Standard RH
- 52260-6AWB** Standard LH / Wrist Blade
- 52261-6AWB** Standard 180° / Wrist Blade
- 52262-6AWB** Standard RH / Wrist Blade



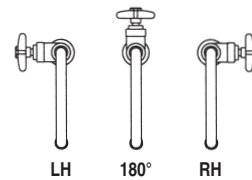
#### Single Service Faucet Deck Mount



Specify index code by using symbol shown on page 25 as a suffix to model numbers. (e.g., 52252-6A HW)

Deck mounted for hot or cold water. 6" rigid gooseneck. 1/2" IPS with 1/2" OD slipjoints. 3/8" NPS female outlet with removable aerator.

- 52252-6A** Standard LH
- 52253-6A** Standard 180°
- 52254-6A** Standard RH
- 52252-6AWB** Standard LH / Wrist Blade
- 52253-6AWB** Standard 180° / Wrist Blade
- 52254-6AWB** Standard RH / Wrist Blade



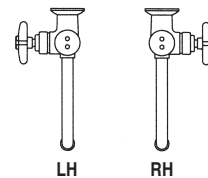
#### Single Service Faucet Vacuum Breaker, Panel Mount



Specify index code by using symbol shown on page 25 as a suffix to model numbers. (e.g., 52268-6A HW)

Panel mounted for hot or cold water. 6" rigid/swing gooseneck. Integral vacuum breaker. 1/2" IPS with 1/2" OD slipjoints. 3/8" NPS female outlet with removable aerator.

- 52268-6A** Standard LH
- 52269-6A** Standard RH
- 52268-6AWB** Standard LH / Wrist Blade
- 52269-6AWB** Standard RH / Wrist Blade



## Service Fittings Mixing Faucets

Specify index code by using symbol shown on page 25 as a suffix to model numbers. (e.g., 52240-6A HWCW)

Deck mounted for hot and cold water. 6" rigid gooseneck. 1 3/16" male shank with (2) 1/2" OD slipjoints. 3/8" NPS female outlet with removable aerator.

**52240-6A** Standard  
**52240-6AWB** Standard / Wrist Blades

### Mixing Faucet Deck Mount



Specify index code by using symbol shown on page 25 as a suffix to model numbers. (e.g., 52244-6A HWCW)

Deck mounted for hot and cold water. 6" rigid gooseneck. Integral vacuum breaker. 1 3/16" male shank with (2) 1/2" OD slipjoints. 3/8" NPS female outlet with removable aerator.

**52244-6A** Standard  
**52244-6AWB** Standard / Wrist Blades

### Mixing Faucet Vacuum Breaker, Deck Mount



Specify index code by using symbol shown on page 25 as a suffix to model numbers. (e.g., 52248-9A HWCW)

Deck mounted for hot and cold water. 9" swing spout. 1 3/16" male shank with (2) 1/2" OD slipjoints. 3/8" NPS female outlet with removable aerator.

**52248-9A** Standard  
**52248-9AWB** Standard / Wrist Blades

### Mixing Faucet Swing Spout, Deck Mount



# ACCESSORIES

## Service Fittings Mixing Faucets



### Mixing Faucet Deck Mount



Specify index code by using symbol shown on page 25 as a suffix to model numbers. (e.g., 52305-6 HWCW)

Deck mounted faucet on 8" centers for hot and cold water. Self-contained compression valve units with replaceable stainless steel seats. 4" forged brass wrist blade handles with color-coded index discs. 6" swing gooseneck. (2) 1 3/8" male shanks with 3/8" OD flexible copper tube inlets. Center fitting has 3/8" NPT male inlet. Furnished complete with (2) flexible PVC hoses, center tee fitting, locknuts, and washers. 3/8" NPS female outlet with removable aerator.

- 52305-6** Swing Gooseneck
- 52306-6** Rigid/Swing Gooseneck

### Mixing Faucet Vacuum Breaker, Deck Mount



Specify index code by using symbol shown on page 25 as a suffix to model numbers. (e.g., 52307-6 HWCW)

Deck mounted faucet with vacuum breaker on 8" centers for hot and cold water. Self-contained compression valve units with replaceable stainless steel seats. 4" forged brass wrist blade handles with color-coded index discs. 6" swing gooseneck. Vacuum breaker has replaceable seat and ultra-light float cup to resist spilling at low flow. (2) 1 3/8" male shanks with 3/8" OD flexible copper tube inlets. Center fitting has 3/8" NPT male inlet. Furnished complete with (2) flexible PVC hoses, center tee fitting, locknuts, and washers. 3/8" NPS female outlet with removable aerator.

- 52307-6** Swing Vacuum Breaker Gooseneck
- 52308-6** Rigid/Swing Vacuum Breaker Gooseneck

### Mixing Faucet Panel Mount



Specify index code by using symbol shown on page 25 as a suffix to model numbers. (e.g., 52273-8A HWCW)

Panel mounted for hot and cold water. 8" rigid/swing convertible gooseneck. 3/8" IPS female union inlets. 3" inlet centers. 3/8" NPS female outlet with removable aerator.

- 52273-8A** Standard
- 52273-8AWB** Standard / Wrist Blades
- 52274-8A** Integral Vacuum Breaker
- 52274-8AWB** Integral Vacuum Breaker / Wrist Blades

### Mixing Faucet Panel or Curb Mount



Specify index code by using symbol shown on page 25 as a suffix to model numbers. (e.g., 52276-8A HWCW)

Panel or curb mount for hot and cold water. 8" rigid/swing convertible gooseneck. 3/8" IPS female union inlets. 8" inlet centers. 3/8" NPS female outlet with removable aerator.

- 52276-8A** Standard
- 52276-8AWB** Standard / Wrist Blades
- 52277-8A** Integral Vacuum Breaker
- 52277-8AWB** Integral Vacuum Breaker / Wrist Blades

### 8" Gooseneck

To specify an 8" gooseneck in lieu of a 6" gooseneck, change the suffix of the model number from 6 to 8.  
(e.g., 52260-6A = 6" gooseneck  
52260-8A = 8" gooseneck)



### Aerator

**522AR** Aerator



### 4" Wrist Blade Handle

4" wrist blade handle with index discs for water faucets.

**522WB** 4" Wrist Blade Handle

Specify index code by using HW or CW symbol as a suffix to model number (HW for Hot Water, CW for Cold Water). (e.g., 522WB HW)



# ACCESSORIES

## Service Fittings Standard Faucets



### STANDARD FAUCETS

- Single lever and handle models.
- Available models with spray.
- Swing spouts and gooseneck designs.
- Applications with stainless steel or polymer sinks.
- Chrome finishes.

#### Single Lever Faucet



Chrome finish. Chrome lever handle. Swivel spout. No spray. 8" centers.

**52311** Single Lever Faucet

#### Single Lever Faucet w/Spray



Chrome finish. Chrome lever handle. Swivel spout. Integral black side spray. 8" centers.

**52312** Single Lever Faucet w/Spray

#### Bar Faucet



Chrome finish. Chrome lever handles. 4" centers.

**52313** Bar Faucet

### Double Lever Faucet

Chrome finish. Chrome lever handles. Swivel spout. No spray. 8" centers.

**52314** Double Lever Faucet



### Double Lever Faucet w/Spray

Chrome finish. Chrome lever handles. Swivel spout. White side spray. 8" centers.

**52315** Double Lever Faucet w/Spray



### Double Lever Gooseneck Faucet

Chrome finish. Chrome lever handles. No spray. 8" centers.

**52316** Double Lever Gooseneck Faucet



### Double Lever Gooseneck Faucet w/Spray

Chrome finish. Chrome lever handles. White side spray. 8" centers.

**52317** Double Lever Gooseneck Faucet w/Spray



# ACCESSORIES

## Service Fittings Vanity Faucets



### Single Lever Vanity Faucet w/Pop-Up Drain



Chrome finish. Chrome lever handle. With pop-up drain assembly. 4" centers.

**52319** Single Lever Vanity Faucet w/Pop-Up Drain

### Blade Handle Vanity Faucet



Chrome finish. Chrome blade handles. No pop-up drain assembly. 4" centers.

**52320** Blade Handle Vanity Faucet

### Blade Handle Vanity Faucet w/Pop-Up Drain



Chrome finish. Chrome blade handles. With pop-up drain assembly. 4" centers.

**52321** Blade Handle Vanity Faucet w/Pop-Up Drain





# ACCESSORIES

## Metal Safety Cabinets Flammable Liquid

Before purchasing any flammable liquid storage cabinet, familiarize yourself with all local and state codes from the appropriate agencies having jurisdiction in your area.

					Hangable/Mountable
<ul style="list-style-type: none"> <li>• 4-Gallon</li> <li>• Manual Door</li> <li>• Lever Handle</li> <li>• Wall-hung application requires 52105 Wall Hanging Brackets, available separately.</li> </ul>					
Model #	Description	Exterior Dimensions	Capacity	Color	
52100FY	Hangable/ Mountable Cabinet	17"W x 22"H x 17"D	4 gallons	Yellow	
52105	Wall Hanging Brackets				
					Hangable/Stackable/Mountable
<ul style="list-style-type: none"> <li>• 12-Gallon</li> <li>• Manual Doors</li> <li>• Lever Handle</li> <li>• Wall-hung application requires 52106 Wall Hanging Brackets, available separately.</li> </ul>					
Model #	Description	Exterior Dimensions	Capacity	Color	
52109FY	Hangable/Stackable/ Mountable Cabinet	43"W x 18"H x 18"D	12 gallons	Yellow	
52106	Wall Hanging Brackets				
					Hangable/Stackable/Mountable
<ul style="list-style-type: none"> <li>• 17-Gallon</li> <li>• Manual Doors</li> <li>• Lever Handle</li> <li>• Includes Wall Hanging Brackets</li> </ul>					
Model #	Description	Exterior Dimensions	Capacity	Color	
52113FY	Hangable/Stackable/ Mountable Cabinet	43"W x 24"H x 18"D	17 gallons	Yellow	
					Hangable/Mountable
<ul style="list-style-type: none"> <li>• 20-Gallon</li> <li>• Manual Doors</li> <li>• Lever Handle</li> <li>• Includes Wall Hanging Brackets</li> </ul>					
Model #	Description	Exterior Dimensions	Capacity	Color	
52117FY	Hangable/Mountable Cabinet	43"W x 44"H x 12"D	20 gallons	Yellow	
					Hangable/Mountable
<ul style="list-style-type: none"> <li>• 15-Gallon</li> <li>• Manual Door</li> <li>• Lever Handle</li> </ul>					
Model #	Description	Exterior Dimensions	Capacity	Color	
52137FY	Hangable/Mountable Cabinet	23"W x 44"H x 18"D	15 gallons	Yellow	

# ACCESSORIES



## Metal Safety Cabinets Flammable Liquid

Before purchasing any flammable liquid storage cabinet, familiarize yourself with all local and state codes from the appropriate agencies having jurisdiction in your area.

### Stand-Alone/Stackable Base



- 30-Gallon
- Manual Doors
- Lever Handle

Model #	Description	Exterior Dimensions	Capacity	Color
52121FY	Stand-Alone/Stackable Base Cabinet	43"W x 44"H x 18"D	30 gallons	Yellow

- 30-Gallon
- Self-Closing
- Lever Handle

Model #	Description	Exterior Dimensions	Capacity	Color
52122FY	Stand-Alone/Stackable Base Cabinet	43"W x 44"H x 18"D	30 gallons	Yellow

### Stand-Alone



- 45-Gallon
- Manual Doors
- Lever Handle

Model #	Description	Exterior Dimensions	Capacity	Color
52125FY	Stand-Alone Cabinet	43"W x 65"H x 18"D	45 gallons	Yellow

- 45-Gallon
- Self-Closing
- Lever Handle

Model #	Description	Exterior Dimensions	Capacity	Color
52126FY	Stand-Alone Cabinet	43"W x 65"H x 18"D	45 gallons	Yellow

### Under-Counter/Stand-Alone



- 12-Gallon
- Manual Door
- Lever Handle

Model #	Description	Exterior Dimensions	Capacity	Color
52129FY	Under-Counter/Stand-Alone Cabinet	23"W x 35"H x 18"D	12 gallons	Yellow

### Under-Counter/Stand-Alone



- 22-Gallon
- Manual Doors
- Lever Handle

Model #	Description	Exterior Dimensions	Capacity	Color
52133FY	Under-Counter/Stand-Alone Cabinet	35"W x 35"H x 22"D	22 gallons	Yellow



# ACCESSORIES

## Metal Safety Cabinets Acid and Corrosive

Before purchasing any chemical storage cabinet, familiarize yourself with all local and state codes from the appropriate agencies having jurisdiction in your area.

					Hangable/Stackable/Mountable
<ul style="list-style-type: none"> <li>• 12-Gallon</li> <li>• Manual Doors</li> <li>• Lever Handle</li> <li>• Wall-hung application requires 52106 Wall Hanging Brackets, available separately.</li> </ul>					
Model #	Description	Exterior Dimensions	Capacity	Color	
52109AB	Hangable/Stackable/Mountable Cabinet	43"W x 18"H x 18"D	12 gallons	Blue	
52106	Wall Hanging Brackets				
					Hangable/Stackable/Mountable
<ul style="list-style-type: none"> <li>• 17-Gallon</li> <li>• Manual Doors</li> <li>• Lever Handle</li> <li>• Includes Wall Hanging Brackets</li> </ul>					
Model #	Description	Exterior Dimensions	Capacity	Color	
52113AB	Hangable/Stackable/Mountable Cabinet	43"W x 24"H x 18"D	17 gallons	Blue	
					Hangable/Mountable
<ul style="list-style-type: none"> <li>• 20-Gallon</li> <li>• Manual Doors</li> <li>• Lever Handle</li> <li>• Includes Wall Hanging Brackets</li> </ul>					
Model #	Description	Exterior Dimensions	Capacity	Color	
52117AB	Hangable/Mountable Cabinet	43"W x 44"H x 12"D	20 gallons	Blue	
					Under-Counter/Stand-Alone
<ul style="list-style-type: none"> <li>• 22-Gallon</li> <li>• Manual Doors</li> <li>• Lever Handle</li> </ul>					
Model #	Description	Exterior Dimensions	Capacity	Color	
52133AB	Under-Counter/Stand-Alone Cabinet	35"W x 35"H x 22"D	22 gallons	Blue	

# ACCESSORIES



## Metal Safety Cabinets Acid and Corrosive

Before purchasing any chemical storage cabinet, familiarize yourself with all local and state codes from the appropriate agencies having jurisdiction in your area.

### Stand-Alone/Stackable Base



- 30-Gallon
- Manual Doors
- Lever Handle

Model #	Description	Exterior Dimensions	Capacity	Color
52121AB	Stand-Alone/Stackable Base Cabinet	43"W x 44"H x 18"D	30 gallons	Blue

- 30-Gallon
- Self-Closing
- Lever Handle

Model #	Description	Exterior Dimensions	Capacity	Color
52122AB	Stand-Alone/Stackable Base Cabinet	43"W x 44"H x 18"D	30 gallons	Blue

### Stand-Alone



- 45-Gallon
- Manual Doors
- Lever Handle

Model #	Description	Exterior Dimensions	Capacity	Color
52125AB	Stand-Alone Cabinet	43"W x 65"H x 18"D	45 gallons	Blue

- 45-Gallon
- Self-Closing
- Lever Handle

Model #	Description	Exterior Dimensions	Capacity	Color
52126AB	Stand-Alone Cabinet	43"W x 65"H x 18"D	45 gallons	Blue

## Wooden Safety Cabinets Bench

Before purchasing any flammable liquid or chemical storage cabinet, familiarize yourself with all local and state codes from the appropriate agencies having jurisdiction in your area.

### Bench Flammables Cabinet

- Constructed of 1" multi-ply, exterior-grade plywood.
- Meets all applicable OSHA and NFPA #30 standards for the storage of flammable liquids.
- Convenient and safe storage of small quantities on the laboratory bench.
- Cabinet floor constructed as a 2" liquid-tight trough.
- One fully-adjustable shelf.

Model #	Description	Exterior Dimensions	Capacity	Color
SC8021	Bench Flammables Cabinet	16¾"W x 21¼"H x 15¾"D	4 gallons	Yellow



### Bench Acid Cabinet

- Wood construction—no metal—no rust or corrosion.
- Constructed of 1" multi-ply, exterior-grade plywood.
- Sized for convenient storage of corrosive chemicals on the laboratory bench.
- Painted with multiple coats of chemical-resistant paint.
- Cabinet floor constructed as a 2" liquid-tight trough.

Model #	Description	Exterior Dimensions	Capacity	Color
SC8063	Bench Corrosives Cabinet	16¾"W x 21¼"H x 15¾"D	5 x 2.5 liter 16 x 500 mL	Blue



### ACID CABINET CONSTRUCTION



Unique, entirely wooden hinge assembly eliminates common problem of hinge deterioration.



Unique polypropylene lock assembly. Padlock and two keys furnished with cabinet.



Top recessed to include a liquid-tight polypropylene tray. Tray will hold 11 liters (3 gallons) of spilled liquid. Use this top tray as a dispensing area.



Cabinet floor constructed as a 2" liquid-tight trough to contain spillage.

# ACCESSORIES



## Wooden Safety Cabinets

### Stackable

Before purchasing any flammable liquid or chemical storage cabinet, familiarize yourself with all local and state codes from the appropriate agencies having jurisdiction in your area.

### Stak-A-Cab Safety Storage Cabinets



SC1460, SC2060, SC1860 Stak-A-Cabs  
with SC1861 Stand

- Constructed of 1" thick, multi-ply plywood and finished with chemical-resistant paint.
- Organize all laboratory chemicals in a space no larger than a standard flammables cabinet.
- Customize a chemical storage center for special storage needs.
- All cabinets constructed to meet and exceed all applicable NFPA and OSHA standards.

### Stak-A-Cab

All units 47"W x 18"H x 18"D

Model #	Description	Capacity	Color
SC1360	Stak-A-Cab Acid Cabinet	22 x 2.5 Liter	Blue
SC1460	Stak-A-Cab Corrosives Cabinet	22 x 2.5 Liter	Blue
SC1860	Stak-A-Cab Flammables Cabinet	16 x 1 Gallon	Yellow
SC2060	Stak-A-Cab Combination Acid/Flammables Cabinet	Flammable: 8 x 1 Gallon Corrosive: 10 x 2.5 Liter	Gray

### Stak-A-Cab Stands

All units 46½"W x 45½"H x 17¾"D

Model #	Description	Color
SC1461	Stak-A-Cab Floor Stand for Acid Cabinet	Blue
SC1861	Stak-A-Cab Floor Stand for Flammables Cabinet	Yellow
SC2061	Stak-A-Cab Floor Stand for Acid/Flammables Cabinet	Gray

not shown:

### Mini Stak-A-Cab

All units 31"W x 17"H x 14½"D

Model #	Description	Capacity	Color
SC9040	Mini Stak-A-Cab Flammables Cabinet	8 x 1 Gallon	Yellow
SC9041	Mini Stak-A-Cab Combination Acid/Flammables Cabinet	Acid: 4 x 2.5 Liter Flammable: 4 x 1 Gallon	Gray
SC9042	Mini Stak-A-Cab Corrosives Cabinet	8 x 2.5 Liter	Blue

## Wooden Safety Cabinets Stackable

Before purchasing any flammable liquid or chemical storage cabinet, familiarize yourself with all local and state codes from the appropriate agencies having jurisdiction in your area.

### Standard Safety Cabinets

- Constructed of 1" thick, multi-ply, exterior-grade plywood.
- Finished with easily identified chemical-resistant paint.
- Organize both flammable and corrosive liquids in a space no larger than a standard cabinet.
- Individual cabinets may be placed under the work surface.
- Design as a stand-alone or stack up to two units high.
- All cabinets meet or exceed all applicable OSHA and NFPA standards.
- All cabinets have a liquid-tight, 2" trough to contain accidental spills.

All units 30"W x 32<sup>5</sup>/<sub>8</sub>"H x 18<sup>1</sup>/<sub>2</sub>"D

Model #	Description	Capacity	Color
SC8080	Jumbo Stacking Flammables Cabinet	18 x 1 Gallon	Yellow
SC8081	Jumbo Stacking Acid Cabinet	24 x 2.5 Liter	Blue
SC8082	Jumbo Stacking Corrosives Cabinet	24 x 2.5 Liter	Blue

### Jumbo Stacking Cabinets



### Standard Safety Cabinets

A separate, entirely polypropylene, slide-in isolation compartment is available as an accessory to semi-isolate Nitric acid or Nitric acid spills from all other products stored in the acid cabinet. We urge the purchase of this accessory to avoid reaction between products, particularly between Nitric and Acetic acid.

Model #	Description	Capacity
SC8071	Isolation Acid Compartment	5 x 2.5 Liter

### Isolation Acid Compartment



# ACCESSORIES



## Wooden Safety Cabinets Under-Counter / Stand-Alone

Before purchasing any flammable liquid or chemical storage cabinet, familiarize yourself with all local and state codes from the appropriate agencies having jurisdiction in your area.

### Combination Acid/Flammables Cabinets



#### Acid Side:

- Wooden hinge assembly.
- Polypropylene hasp assembly.
- 10" corrosive label for easy identification.
- Cabinet floor constructed as 2" liquid-tight trough.
- Color: Light Gray

#### Flammables Side:

- Continuous metal hinge.
- Metal locking assembly.
- Adjustable shelf.
- 10" flammable label for easy identification.
- Cabinet floor constructed as 2" liquid-tight trough.
- Color: Light Gray

Model #	Description	Exterior Dimensions	Capacity	
			Corrosive	Flammable
SC2036	Combination Acid/Flammables Cabinet, Partially Lined	35"W x 35½"H x 22"D	18 x 2.5 Liter	12 x 1 Gallon
SC2048	Combination Acid/Flammables Cabinet, Partially Lined	47"W x 35½"H x 22"D	24 x 2.5 Liter	16 x 1 Gallon

### Individual Acid/Flammables Cabinets



#### Acid Cabinets:

- Wooden hinge assembly.
- Polypropylene hasp assembly.
- 10" corrosive label for easy identification.
- Cabinet floor constructed as 2" liquid-tight trough.

#### Flammables Cabinets:

- Continuous metal hinge.
- Metal locking assembly.
- Adjustable shelf.
- 10" flammable label for easy identification.
- Cabinet floor constructed as 2" liquid-tight trough.

#### Acid Cabinets

Model #	Description	Exterior Dimensions	Capacity	Color
SC1430	Acid Cabinet, Partially Lined, Shelf Only	29"W x 35½"H x 22"D	28 x 2.5 Liter	Blue
SC1436	Acid Cabinet, Partially Lined, Shelf Only	35"W x 35½"H x 22"D	34 x 2.5 Liter	Blue
SC1448	Acid Cabinet, Partially Lined, Shelf Only	47"W x 35½"H x 22"D	48 x 2.5 Liter	Blue

#### Flammables Cabinets

Model #	Description	Exterior Dimensions	Capacity	Color
SC1830	Flammables Cabinet	29"W x 35½"H x 22"D	18 x 1 Gallon	Yellow
SC1836	Flammables Cabinet	35"W x 35½"H x 22"D	24 x 1 Gallon	Yellow
SC1848	Flammables Cabinet	47"W x 35½"H x 22"D	32 x 1 Gallon	Yellow



## Wooden Safety Cabinets Stand-Alone

Before purchasing any flammable liquid or chemical storage cabinet, familiarize yourself with all local and state codes from the appropriate agencies having jurisdiction in your area.

### Acid Cabinets

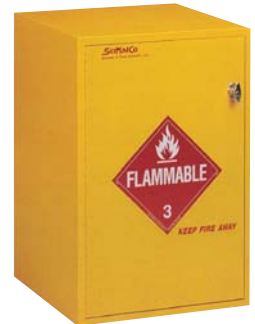
- Constructed of 1" thick, high density, multi-ply plywood.
- Finished with multiple coats of chemical-resistant paint.
- Cabinets have a liquid-tight 2" trough to contain accidental spills.
- Fasteners used are plastic—even the few screws used are nylon.
- Wooden door handle.
- Word "ACID" printed in 6" red letters.
- Four (4) leveling feet included.

Model #	Description	Exterior Dimensions	Bottle Capacity
SC8051	Acid Cabinet, Interior Fully Lined with Polypropylene (floor, interior walls, interior top, and top tray)	31"W x 36 <sup>5</sup> / <sub>8</sub> "H x 20"D	30 x 2.5 Liter or 90 x 500 mL
SC8041	Acid Cabinet, Interior Partially Lined with Polypropylene (floor, shelf, and top tray)	31"W x 36 <sup>5</sup> / <sub>8</sub> "H x 20"D	30 x 2.5 Liter or 90 x 500 mL



### Flammables Cabinets

Model #	Description	Approx. Capacity	Interior Dimensions	Exterior Dimensions
SC7021	Floor Flammables Cabinet, 1 Adjustable Shelf	18 Gallon	21 <sup>7</sup> / <sub>8</sub> "W x 34"H x 21"D	23 <sup>7</sup> / <sub>8</sub> "W x 36 <sup>5</sup> / <sub>8</sub> "H x 23 <sup>7</sup> / <sub>8</sub> "D
SC7131	45-Gallon Flammables Cabinet, 2 Adjustable Shelves	45 Gallon	41"W x 42"H x 15 <sup>1</sup> / <sub>8</sub> "D	43"W x 44 <sup>5</sup> / <sub>8</sub> "H x 18"D



# ACCESSORIES

## Safety Equipment



### Germicidal Cabinet



For sanitizing and storage of safety glasses or goggles. Holds 48 glasses or 40 goggles. Average kill rate of 99.2% in 5 minutes. 5-minute cycle controlled by timer. Pilot light confirms UV lamp in use. Shuts off automatically if double doors are open. Doors interlocked with tamper-resistant latches. Wall- or shelf-mountable with 7' grounded electrical cord. 24-gauge white enameled lockable steel cabinet. Germicidal lamp with 20-year limited warranty. No assembly required. Goggles/Glasses not included. Dimensions: 24½"W x 32"H x 9½"D.

**52192** Germicidal Cabinet

### Advantage Goggle



UV-absorbing polycarbonate lens. Tinted flexible body. Adjustable headband. Indirect vent. Fits over most prescription eyewear. Replaceable lens. Meets ANSI Z87.1-2003 Standards. CUL Certified to meet CAN/CSA-Z94.3 Standards. (*direct vent model depicted at left*)

**52194** Advantage Goggle

### Chemical Splash Goggle



Clear UV-absorbing polycarbonate lens. Soft, clear goggle body. Indirect vents top and bottom. Fits over most prescription eyewear. Meets ANSI Z87.1-2003 Standards. CUL Certified to meet CAN/CSA-Z94.3 Standards.

**52196** Chemical Splash Goggle

### Spill Control Station



For easy clean-up of emergency spills. Universal spill control pillows absorb and contain all types of acid, caustic, solvent, or oil. Special pillows for hydrofluoric acid.

Includes:

- 10 standard spill pillows
- 15 sorbent pads
- 2 pairs of gloves
- 15 hazardous waste bags and ties
- 2 hydrofluoric spill pillows
- 2 Total Body Saranex "Tyvek" coveralls
- 2 chemical splash goggles

**52186** Spill Control Station

### Fire Blanket in Cabinet



Fire-retardant 65"x84" wool blanket. Useful for general first aid and other emergencies. Heavy 22-gauge red steel cabinet with drop down door. Colorful "Stop, Drop and Roll" technique graphics.

**52188** Fire Blanket in Cabinet