

## Table of Contents

**Hutch/Base Assemblies.....2**

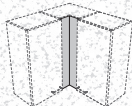
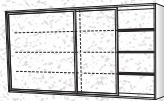
**Shelf .....3**

**Display.....4**

**Diagonal Corner .....4**

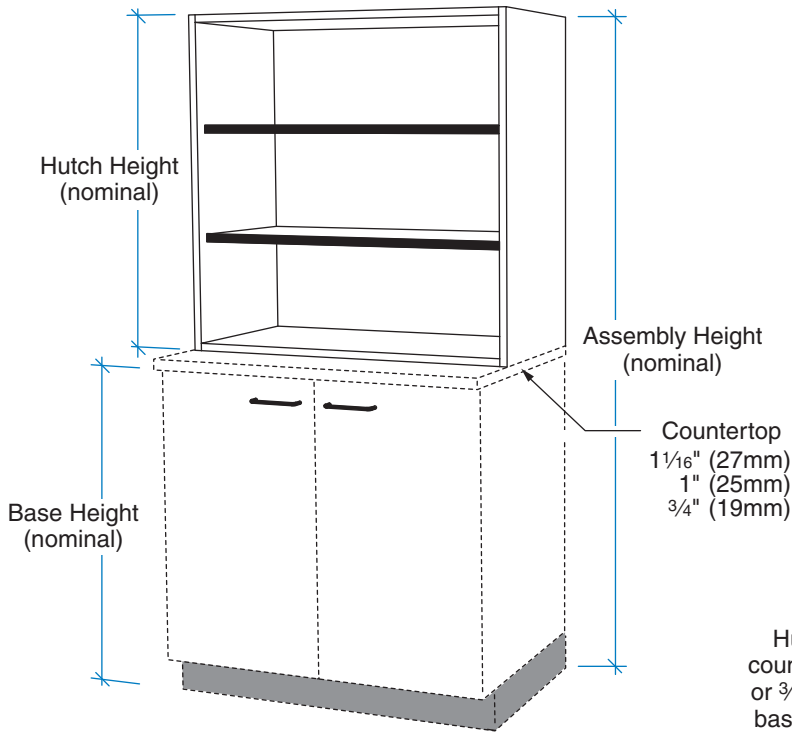
**Instructor White Board.....4**

**Installation Accessories.....5**



# HUTCH

## Hutch/Base Assemblies

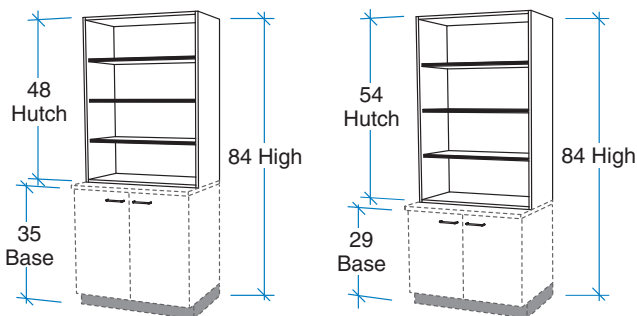


Hutch design is for stacking on base unit with countertop thickness of 1 1/16" (27mm), 1" (25mm), or 3/4" (19mm). Actual hutch heights are provided based on overall total height of elevation with the base and countertop combination used.

Assembly Height (nominal)	Assembly Height (actual)	Base Height (nominal)	Hutch Height (nominal)	With 1 1/16" top (27mm)		With 1" top (25mm)		With 3/4" top (19mm)		
				Hutch Height (actual)	Hutch Height (actual)	Hutch Height (actual)	Hutch Height (actual)			
inches	inches	mm	inches	inches	mm	inches	mm	inches	mm	
84	84 1/8	2137	35	48	48 1/16	1221	48 1/8	1223	48 3/8	1229
84	84 1/8	2137	29	54	54 3/8	1381	54 7/16	1383	54 11/16	1389
90	90 7/16	2297	35	54	54 3/8	1381	54 7/16	1383	54 11/16	1389
90	90 7/16	2297	29	61	60 11/16	1541	60 3/4	1543	60 15/16	1549

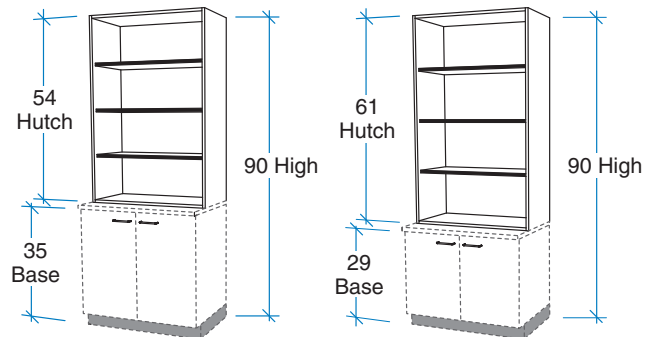
### 84 HIGH ASSEMBLY

Actual Height: 84 1/8" (2137mm)



### 90 HIGH ASSEMBLY

Actual Height: 90 7/16" (2297mm)



Hutch units are built for stacking on a countertop surface. Actual hutch heights are based on overall total height of elevation with the base and countertop combination used.

W	H	D
12	27	48 14
15	30	54 17
18	33	61
21	36	
24		

Adjustable Shelves

**22101**



W	H	D
12	48	14
15	54	17
18	61	
21		
24		

Right Hinge Door  
Adjustable Shelves

**22120**



W	H	D
12	48	14
15	54	17
18	61	
21		
24		

Left Hinge Door  
Adjustable Shelves

**22121**



W	H	D
24	39	48 14
27	42	54 17
30	45	61
33	48	
36		

Doors  
Adjustable Shelves

**22129**



**48H**  
**54H**  
**61H**

W	H	D
39	48	14
42	54	17
45	61	
48		

Center Divider  
Adjustable Shelves

**22138**



W	H	D
39	48	14
42	54	17
45	61	
48		

Doors  
Center Divider  
Adjustable Shelves

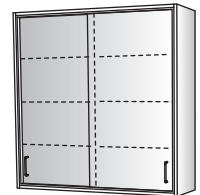
**22181**



W	H	D
36	48	14
39	54	17
42	61	
45		
48		

Sliding Doors  
Center Divider  
Adjustable Shelves

**22150**



**48H**  
**54H**  
**61H**

# HUTCH

## Display/Diagonal Corner/Instructor White Board



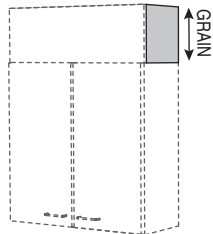
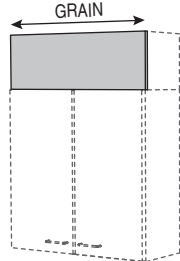
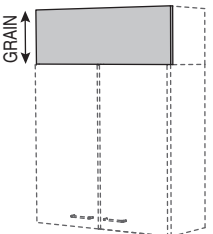
Hutch units are built for stacking on a countertop surface. Actual hutch heights are based on overall total height of elevation with the base and countertop combination used.

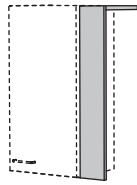
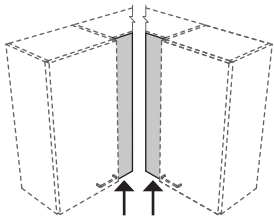
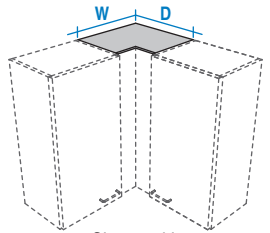


									Display		
W	H	D	W	H	D	W	H	D	W	H	D
30	48	14	15	48	14	15	48	14	30	48	14
36	54	17	18	54	17	18	54	17	36	54	17
42	61		21	61		21	61		42	61	
48			24			24			48		
Sliding Glass Doors Center Divider Adjustable Shelves			Right Hinge Display Door Adjustable Shelves			Left Hinge Display Door Adjustable Shelves			Display Doors Center Divider Adjustable Shelves		
<b>22158</b>			<b>22130</b>			<b>22131</b>			<b>22182</b>		
<b>48H</b>											
<b>54H</b>											
<b>61H</b>											

			Diagonal Corner		
W	H	D	W	H	D
25	48	14	25	48	14
	54			54	
	61			61	
28	48	17	28	48	17
	54			54	
	61			61	
Right Hinge Door Fixed Shelves			Left Hinge Door Fixed Shelves		
<b>22211</b>			<b>22212</b>		
<b>48H</b>					
<b>54H</b>					
<b>61H</b>					

			Instructor White Board		
W	H	D	W	H	D
72	48	14	72	48	14
96		17	96		17
2 Sliding White Boards 2 Tracks Center Divider Adjustable Shelves			4 Sliding White Boards 4 Tracks Center Divider Adjustable Shelves		
<b>22300</b>			<b>22302</b>		
<b>48H</b>					

Soffit Trim			Vertical Scribe			End Soffit Closure			Horizontal Grain Soffit Fascia			Vertical Grain Soffit Fascia			
W	H	D	W	H	D	W	H	D	W	H	D	W	H	D	
96	00	02	00	48	02	00	12	14	36	12	00	12	33	12	00
		03		54	03		18	17	48	18		15	36	18	
				61			24		60	24		18	39	24	
									72			21	42		
									84			24	45		
									96			27	48		
												30			
Field Trim to Fit			Field Trim to Fit			Field Trim to Fit			Field Trim to Fit			Field Trim to Fit			
<b>15801</b>			<b>15802</b>			<b>15820</b>			<b>15822</b>			<b>15823</b>			
															
Shown with 15822/15823 Soffit Fascia			Shown with 15820 End Soffit Closure			Shown with 15820 End Soffit Closure			Shown with 15820 End Soffit Closure			Shown with 15820 End Soffit Closure			

Front Filler			Corner Filler				Top Corner Closure								
W	H	D	W	H	D	**	W	H	D						
02	48	14	02	48	14		16	00	16						
03	54	17	03	54	17		17		17						
06	61		06	61			19		19						
09			09				20		20						
12			12				23		23						
							26		26						
							29		29						
Includes Top Closure Panel Field Trim to Fit			Field Trim to Fit					Field Trim to Fit							
<b>22803</b>			<b>22805</b>					<b>22809</b>							
															
Shown with 22809 Top Corner Closure			Shown with 22805 Corner Filler					Shown with 22805 Corner Filler							
			<p><b>** Use 2-digit code to select right hand or left hand filler</b></p> <table border="1"> <tr> <td>Code</td> <td>22805 Corner Filler</td> </tr> <tr> <td>05</td> <td>Right Hand</td> </tr> <tr> <td>06</td> <td>Left Hand</td> </tr> </table>				Code	22805 Corner Filler	05	Right Hand	06	Left Hand			
Code	22805 Corner Filler														
05	Right Hand														
06	Left Hand														