

Table of Contents

Hutch/Base Assemblies..... 2



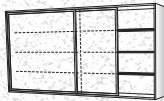
Shelf 3



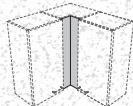
Display..... 4



Diagonal Corner 4



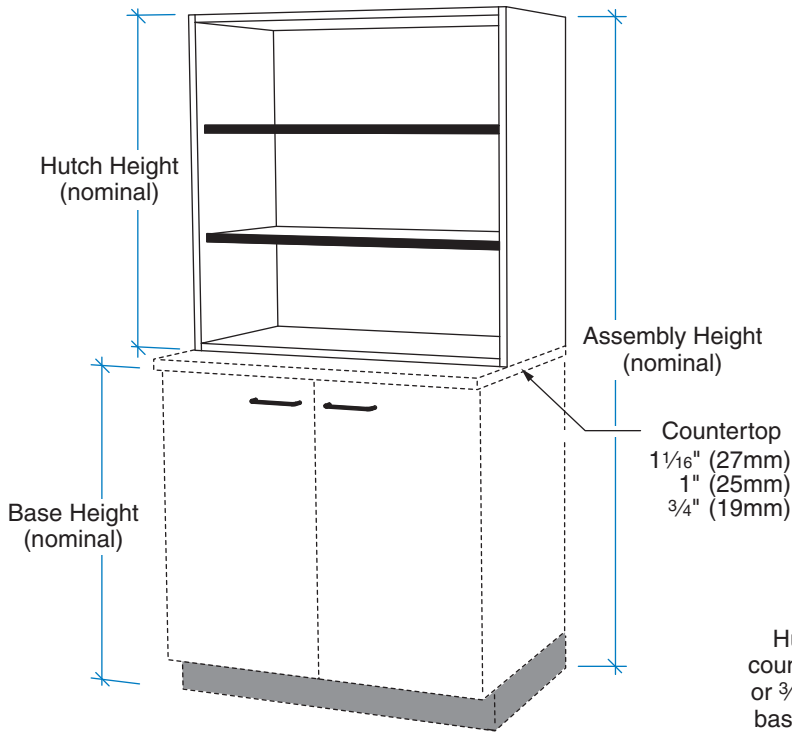
Instructor White Board..... 4



Installation Accessories..... 5

HUTCH

Hutch/Base Assemblies

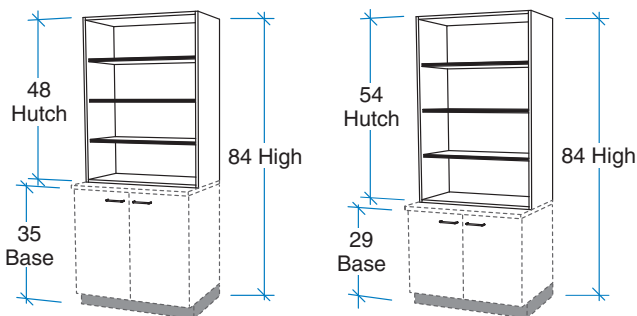


Hutch design is for stacking on base unit with countertop thickness of 1 1/16" (27mm), 1" (25mm), or 3/4" (19mm). Actual hutch heights are provided based on overall total height of elevation with the base and countertop combination used.

| Assembly Height (nominal) | Assembly Height (actual) | Base Height (nominal) | Hutch Height (nominal) | With 1 1/16" top (27mm) | | With 1" top (25mm) | | With 3/4" top (19mm) | | |
|---------------------------|--------------------------|-----------------------|------------------------|-------------------------|-----------------------|-----------------------|-----------------------|----------------------|----------|------|
| | | | | Hutch Height (actual) | Hutch Height (actual) | Hutch Height (actual) | Hutch Height (actual) | | | |
| inches | inches | mm | inches | inches | mm | inches | mm | inches | mm | |
| 84 | 84 1/8 | 2137 | 35 | 48 | 48 1/16 | 1221 | 48 1/8 | 1223 | 48 3/8 | 1229 |
| 84 | 84 1/8 | 2137 | 29 | 54 | 54 3/8 | 1381 | 54 7/16 | 1383 | 54 11/16 | 1389 |
| 90 | 90 7/16 | 2297 | 35 | 54 | 54 3/8 | 1381 | 54 7/16 | 1383 | 54 11/16 | 1389 |
| 90 | 90 7/16 | 2297 | 29 | 61 | 60 11/16 | 1541 | 60 3/4 | 1543 | 60 15/16 | 1549 |

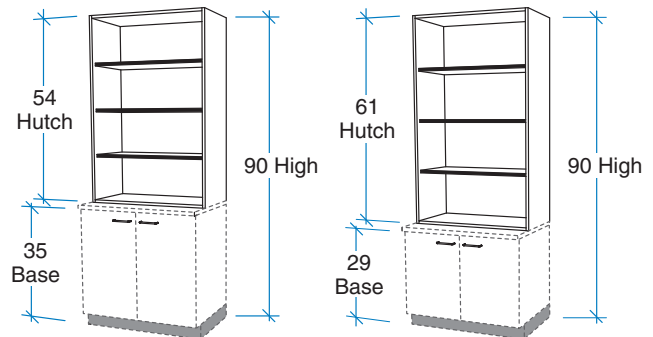
84 HIGH ASSEMBLY

Actual Height: 84 1/8" (2137mm)



90 HIGH ASSEMBLY

Actual Height: 90 7/16" (2297mm)



Hutch units are built for stacking on a countertop surface. Actual hutch heights are based on overall total height of elevation with the base and countertop combination used.

| W | H | D |
|----|----|-------|
| 12 | 27 | 48 14 |
| 15 | 30 | 54 17 |
| 18 | 33 | 61 |
| 21 | 36 | |
| 24 | | |

Adjustable Shelves

22101



| W | H | D |
|----|----|----|
| 12 | 48 | 14 |
| 15 | 54 | 17 |
| 18 | 61 | |
| 21 | | |
| 24 | | |

Right Hinge Door
Adjustable Shelves

22120



| W | H | D |
|----|----|----|
| 12 | 48 | 14 |
| 15 | 54 | 17 |
| 18 | 61 | |
| 21 | | |
| 24 | | |

Left Hinge Door
Adjustable Shelves

22121



| W | H | D |
|----|----|-------|
| 24 | 39 | 48 14 |
| 27 | 42 | 54 17 |
| 30 | 45 | 61 |
| 33 | 48 | |
| 36 | | |

Doors
Adjustable Shelves

22129



48H
54H
61H

| W | H | D |
|----|----|----|
| 39 | 48 | 14 |
| 42 | 54 | 17 |
| 45 | 61 | |
| 48 | | |

Center Divider
Adjustable Shelves

22138



| W | H | D |
|----|----|----|
| 39 | 48 | 14 |
| 42 | 54 | 17 |
| 45 | 61 | |
| 48 | | |

Doors
Center Divider
Adjustable Shelves

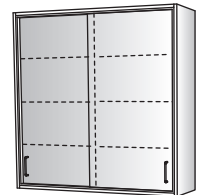
22181



| W | H | D |
|----|----|----|
| 36 | 48 | 14 |
| 39 | 54 | 17 |
| 42 | 61 | |
| 45 | | |
| 48 | | |

Sliding Doors
Center Divider
Adjustable Shelves

22150



48H
54H
61H

HUTCH

Display/Diagonal Corner/Instructor White Board



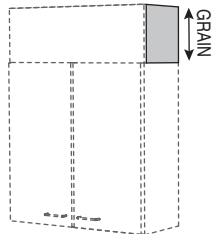
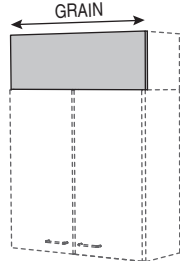
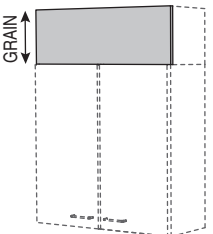
Hutch units are built for stacking on a countertop surface. Actual hutch heights are based on overall total height of elevation with the base and countertop combination used.

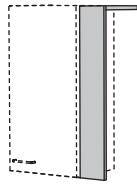
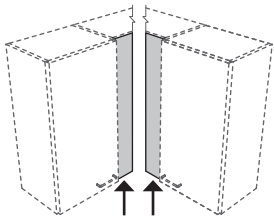
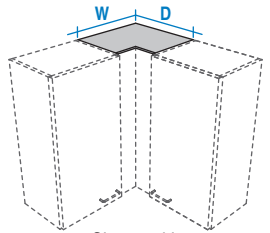


| | | | | | | | | | Display | | |
|---|----|----|---|----|----|--|----|----|---|----|----|
| W | H | D | W | H | D | W | H | D | W | H | D |
| 30 | 48 | 14 | 15 | 48 | 14 | 15 | 48 | 14 | 30 | 48 | 14 |
| 36 | 54 | 17 | 18 | 54 | 17 | 18 | 54 | 17 | 36 | 54 | 17 |
| 42 | 61 | | 21 | 61 | | 21 | 61 | | 42 | 61 | |
| 48 | | | 24 | | | 24 | | | 48 | | |
| Sliding Glass Doors Center Divider Adjustable Shelves | | | Right Hinge Display Door Adjustable Shelves | | | Left Hinge Display Door Adjustable Shelves | | | Display Doors Center Divider Adjustable Shelves | | |
| 22158 | | | 22130 | | | 22131 | | | 22182 | | |
| 48H 54H 61H | | | | | | | | | | | |

| | | | Diagonal Corner | | |
|-----------------------------------|----|----|----------------------------------|----|----|
| W | H | D | W | H | D |
| 25 | 48 | 14 | 25 | 48 | 14 |
| | 54 | | | 54 | |
| | 61 | | | 61 | |
| <hr/> | | | <hr/> | | |
| 28 | 48 | 17 | 28 | 48 | 17 |
| | 54 | | | 54 | |
| | 61 | | | 61 | |
| Right Hinge Door Fixed Shelves | | | Left Hinge Door Fixed Shelves | | |
| 22211 | | | 22212 | | |
| 48H 54H 61H | | | | | |

| | | | Instructor White Board | | |
|--|----|----|--|----|----|
| W | H | D | W | H | D |
| 72 | 48 | 14 | 72 | 48 | 14 |
| 96 | | 17 | 96 | | 17 |
| 2 Sliding White Boards 2 Tracks Center Divider Adjustable Shelves | | | 4 Sliding White Boards 4 Tracks Center Divider Adjustable Shelves | | |
| 22300 | | | 22302 | | |
| 48H | | | | | |

| Soffit Trim | | | Vertical Scribe | | | End Soffit Closure | | | Horizontal Grain Soffit Fascia | | | Vertical Grain Soffit Fascia | | | |
|---|----|----|---|----|----|---|----|----|---|----|----|---|----|----|----|
| W | H | D | W | H | D | W | H | D | W | H | D | W | H | D | |
| 96 | 00 | 02 | 00 | 48 | 02 | 00 | 12 | 14 | 36 | 12 | 00 | 12 | 33 | 12 | 00 |
| | | 03 | | 54 | 03 | | 18 | 17 | 48 | 18 | | 15 | 36 | 18 | |
| | | | | 61 | | | 24 | | 60 | 24 | | 18 | 39 | 24 | |
| | | | | | | | | | 72 | | | 21 | 42 | | |
| | | | | | | | | | 84 | | | 24 | 45 | | |
| | | | | | | | | | 96 | | | 27 | 48 | | |
| | | | | | | | | | | | | 30 | | | |
| Field Trim to Fit | | | Field Trim to Fit | | | Field Trim to Fit | | | Field Trim to Fit | | | Field Trim to Fit | | | |
| 15801 | | | 15802 | | | 15820 | | | 15822 | | | 15823 | | | |
|  | | |  | | |  | | |  | | |  | | | |
| Shown with 15822/15823 Soffit Fascia | | | Shown with 15820 End Soffit Closure | | | Shown with 15820 End Soffit Closure | | | Shown with 15820 End Soffit Closure | | | Shown with 15820 End Soffit Closure | | | |

| Front Filler | | | Corner Filler | | | | Top Corner Closure | | | | | | | | |
|---|---------------------|----|--|----|----|----|--------------------|---|----|------------|----|-----------|--|--|--|
| W | H | D | W | H | D | ** | W | H | D | | | | | | |
| 02 | 48 | 14 | 02 | 48 | 14 | | 16 | 00 | 16 | | | | | | |
| 03 | 54 | 17 | 03 | 54 | 17 | | 17 | | 17 | | | | | | |
| 06 | 61 | | 06 | 61 | | | 19 | | 19 | | | | | | |
| 09 | | | 09 | | | | 20 | | 20 | | | | | | |
| 12 | | | 12 | | | | 23 | | 23 | | | | | | |
| | | | | | | | 26 | | 26 | | | | | | |
| | | | | | | | 29 | | 29 | | | | | | |
| Includes Top Closure Panel Field Trim to Fit | | | Field Trim to Fit | | | | | Field Trim to Fit | | | | | | | |
| 22803 | | | 22805 | | | | | 22809 | | | | | | | |
|  | | |  | | | | |  | | | | | | | |
| Shown with 22809 Top Corner Closure | | | Shown with 22805 Corner Filler | | | | | Shown with 22805 Corner Filler | | | | | | | |
| | | | <p>** Use 2-digit code to select right hand or left hand filler</p> <table border="1"> <tr> <td>Code</td> <td>22805 Corner Filler</td> </tr> <tr> <td>05</td> <td>Right Hand</td> </tr> <tr> <td>06</td> <td>Left Hand</td> </tr> </table> | | | | Code | 22805 Corner Filler | 05 | Right Hand | 06 | Left Hand | | | |
| Code | 22805 Corner Filler | | | | | | | | | | | | | | |
| 05 | Right Hand | | | | | | | | | | | | | | |
| 06 | Left Hand | | | | | | | | | | | | | | |