



UPDATE HISTORY

Design Information Section



This UPDATE HISTORY outlines changes made to the Stevens Advantage Commercial Cabinetry and Millwork catalog since it was published in May 2014.

The most recent updates are shown first.

Go to stevensadvantage.com

→ RESOURCES

→ Commercial Casework

to view/download/print
the most current catalog sections.

Later updates supercede earlier updates.

(Revisions shown in **RED**)

UPDATE HISTORY

Design Information Section



AUGUST 2017			
MODEL #	TYPE OF UPDATE	DESCRIPTION OF UPDATE	CATALOG PAGE #
	Text	Wall/Hutch "Cabinet Depths" chart revised	4
	Text	Base/Tall "Cabinet Depths" chart revised	5
	Illustration	Added "Detail D" to Base/Wall Blocking Locations, to illustrate 5-point support	9



Table of Contents

DESIGN INFORMATION

Model Number System.....	3
Cabinet Dimensions and Details	4-5
Hutch/Base Assemblies.....	6-7
Blocking Locations	8-14
Top Sections.....	15-17
Slope Top Details	18
Valance Details.....	18
Drawer Details	19
Rollout Shelf Details	19
Bin/Tray Details	19
File Drawer Details.....	20
L-Shaped Corner Details.....	21-23
Diagonal Corner Details	21-23
Blind Corner Details.....	24-27
Sink Guidelines	28
Pull Orientation.....	29

LITERATURE

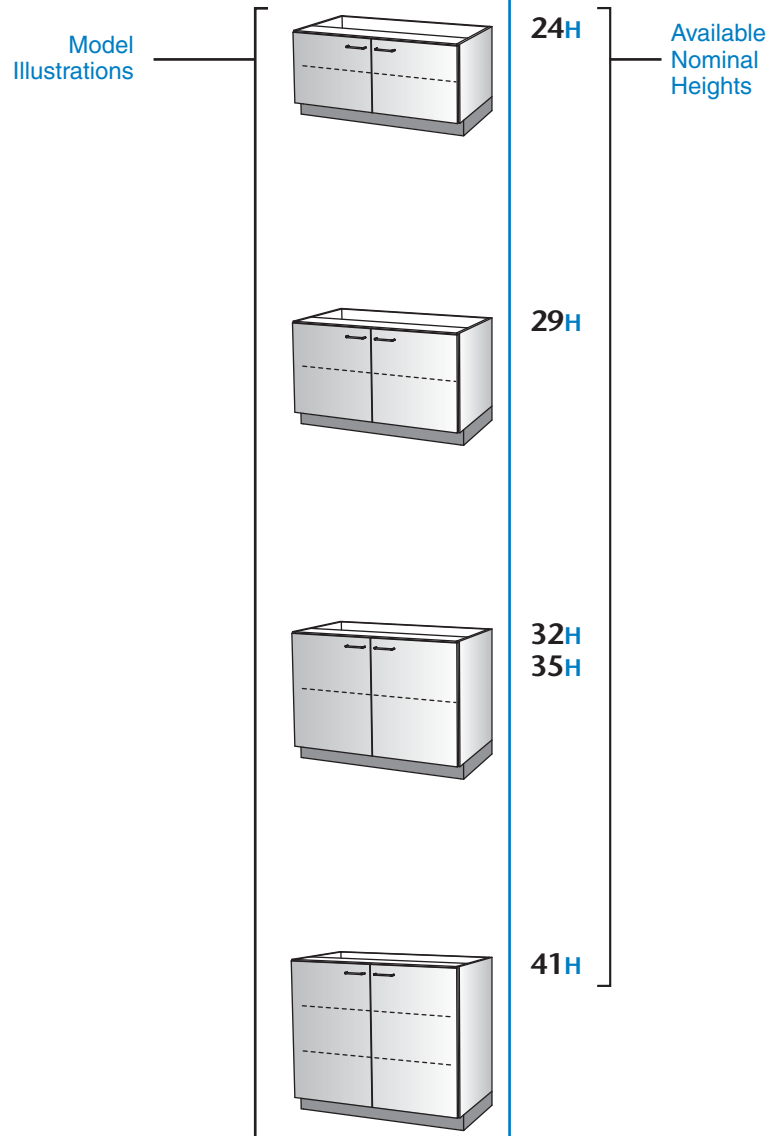
DESIGN INFORMATION



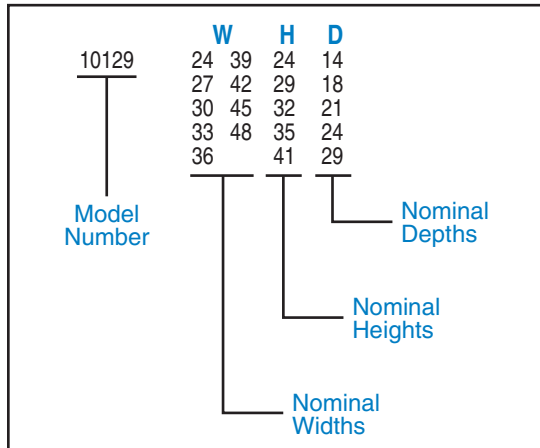
	W	H	D
Nominal Dimensions Available	24	39	24
	27	42	29
	30	45	32
	33	48	35
	36	41	29

Cabinet Details: Doors, Adjustable Shelves, Optional Removable Back

Model Number: **10129**



MODEL NUMBER DEFINED



Note: 00 Nominal is 3/4" Actual.

HOW TO ORDER

To order a cabinet, provide the model number, followed by the desired nominal width, height, and depth, chosen from the available sizes listed.

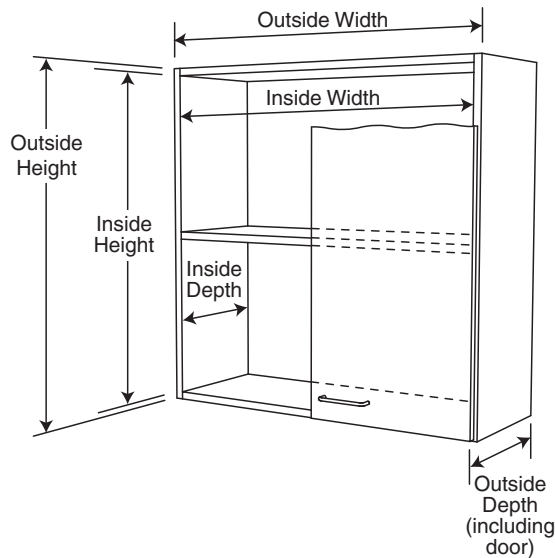
For example, to order a 10129 cabinet that is 36" wide by 35" high by 24" deep, specify:
10129363524

DESIGN INFORMATION

Cabinet Dimensions and Details Wall/Hutch



WALL/HUTCH



HUTCH CABINET HEIGHTS*			
Nominal Height Outside (in.)	Nominal Height Outside (mm)	Actual Height Outside (in.)	Actual Height Inside (in.)
35	901	35 7/16	33 7/8
38	965	38	36 7/16
42	1061	41 3/4	40 3/16
44	1125	44 1/4	42 3/4
48	1221	48	46 1/2
51	1285	50 9/16	49 1/16
54	1381	54 3/8	52 13/16
57	1445	56 7/8	55 5/16
61	1541	60 1/16	59 1/8

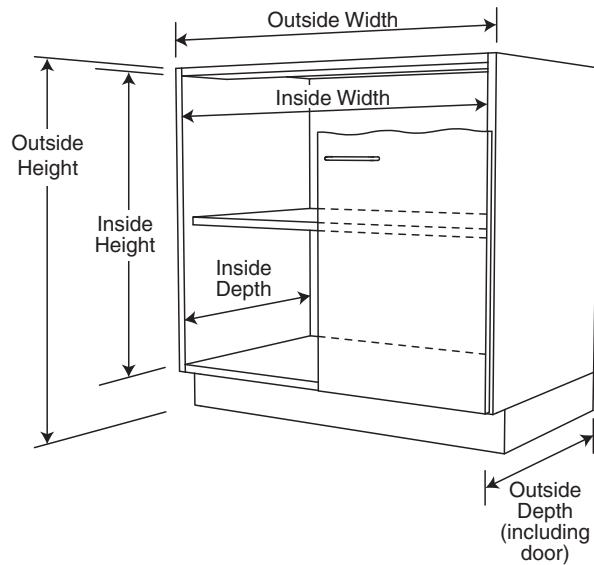
*Hutch heights based on 1 1/16" (27mm) top

WALL CABINET HEIGHTS			
Nominal Height Outside (in.)	Nominal Height Outside (mm)	Actual Height Outside (in.)	Actual Height Inside** (in.)
12	308	12 1/8	10 9/16
16	404	15 7/8	14 3/8
18	468	18 7/16	16 7/8
25	628	24 3/4	23 3/16
30	756	29 3/4	28 1/4
36	916	36 1/16	34 9/16
42	1076	42 3/8	40 13/16
47	1204	47 3/8	45 7/8

**Decrease 1/2" for 1" top and bottom.

CABINET DEPTHS			
Nominal Depth Outside (in.)	Nominal Depth Outside (mm)	Actual Depth Outside (in.)	Actual Depth Inside (in.)
10	262	10 5/16	8 7/16
14	358	14 1/16	12 1/4
15	390	15 3/8	13 3/4
17	422	16 5/8	14 3/4
18	454	17 7/8	16
21	540	21 1/4	19 3/8
23	572	22 1/2	20 5/8
24	604	23 3/4	21 7/8
29	732	28 13/16	26 15/16
34	860	33 7/8	31 15/16

CABINET WIDTHS		
Actual Width Outside (in.)	Actual Width Outside (mm)	Actual Width Inside (in.)
12	304.8	10 1/2
15	381.0	13 1/2
18	457.2	16 1/2
21	533.4	19 1/2
24	609.6	22 1/2
27	685.8	25 1/2
30	762.0	28 1/2
33	838.2	31 1/2
36	914.4	34 1/2
39	990.6	37 1/2
42	1066.8	40 1/2
45	1143.0	43 1/2
48	1219.2	46 1/2



BASE/TALL

BASE CABINET HEIGHTS			
Nominal Height Outside (in.)	Nominal Height Outside (mm)	Actual Height Outside (in.)	Actual Height Inside (in.)
17	441	17 ³ / ₈	11 ¹³ / ₁₆
24	601	23 ¹¹ / ₁₆	18 ¹ / ₈
29	729	28 ¹¹ / ₁₆	23 ³ / ₁₆
32	825	32 ¹ / ₂	26 ¹⁵ / ₁₆
35	889	35	29 ¹ / ₂
41	1049	41 ⁵ / ₁₆	35 ³ / ₄
54	1369	53 ⁷ / ₈	48 ³ / ₈

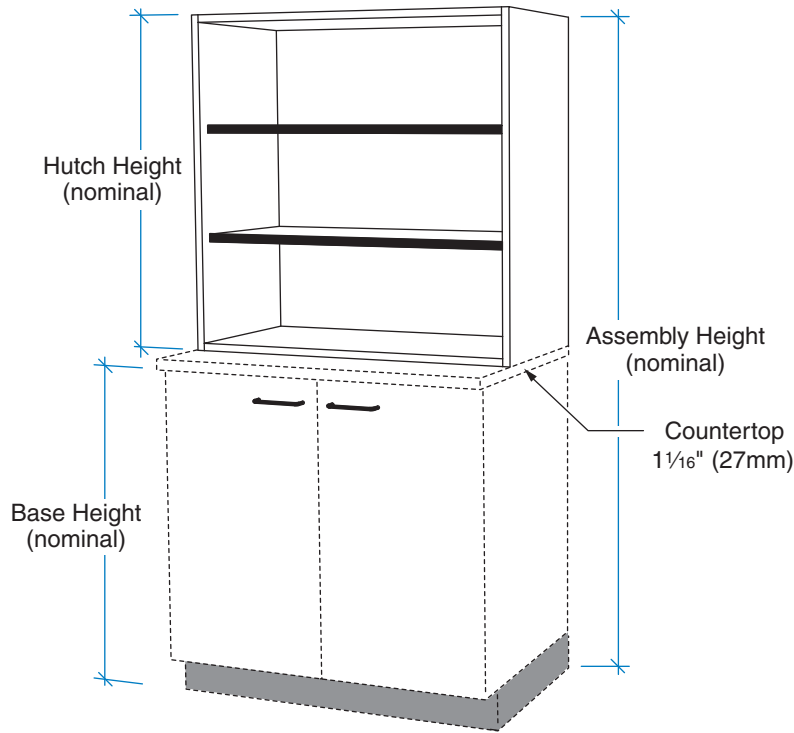
TALL CABINET HEIGHTS			
Nominal Height Outside (in.)	Nominal Height Outside (mm)	Actual Height Outside (in.)	Actual Height Inside (in.)
49	1241	48 ⁷ / ₈	43 ⁵ / ₁₆
59	1497	58 ¹⁵ / ₁₆	53 ³ / ₈
65	1657	65 ¹ / ₄	59 ¹¹ / ₁₆
72	1817	71 ⁹ / ₁₆	66
78	1977	77 ¹³ / ₁₆	72 ¹ / ₄
84	2137	84 ¹ / ₈	78 ⁹ / ₁₆
90	2297	90 ⁷ / ₁₆	84 ¹⁵ / ₁₆

CABINET DEPTHS			
Nominal Depth Outside (in.)	Nominal Depth Outside (mm)	Actual Depth Outside (in.)	Actual Depth Inside (in.)
10	262	10 ⁵ / ₁₆	8 ⁷ / ₁₆
14	358	14 ¹ / ₁₆	12 ¹ / ₄
15	390	15 ³ / ₈	13 ³ / ₄
17	422	16 ⁵ / ₈	14 ³ / ₄
18	454	17 ⁷ / ₈	16
21	540	21 ¹ / ₄	19 ³ / ₈
23	572	22 ¹ / ₂	20 ⁵ / ₈
24	604	23 ³ / ₄	21 ⁷ / ₈
29	732	28 ¹³ / ₁₆	26 ¹⁵ / ₁₆
34	860	33 ⁷ / ₈	31 ¹⁵ / ₁₆

CABINET WIDTHS		
Actual Width Outside (in.)	Actual Width Outside (mm)	Actual Width Inside (in.)
12	304.8	10 ¹ / ₂
15	381.0	13 ¹ / ₂
18	457.2	16 ¹ / ₂
21	533.4	19 ¹ / ₂
24	609.6	22 ¹ / ₂
27	685.8	25 ¹ / ₂
30	762.0	28 ¹ / ₂
33	838.2	31 ¹ / ₂
36	914.4	34 ¹ / ₂
39	990.6	37 ¹ / ₂
42	1066.8	40 ¹ / ₂
45	1143.0	43 ¹ / ₂
48	1219.2	46 ¹ / ₂

DESIGN INFORMATION

Hutch/Base Assemblies



Hutch design is for stacking on base unit with countertop thickness of 1 1/16" (27mm). Actual hutch heights are provided based on overall total height of elevation with the base and special thickness countertop combination used.

Assembly Height* (nominal)	Assembly Height* (actual)		Base Height (nominal)	Hutch Height (nominal)	With 1 1/16" top (27mm)	
	inches	mm			inches	mm
72	71 9/16	1817	35	35	35 1/2	901
72	71 9/16	1817	32	38	38	965
72	71 9/16	1817	29	42	41 3/4	1061
78	77 13/16	1977	41	35	35 1/2	901
78	77 13/16	1977	35	42	41 3/4	1061
78	77 13/16	1977	32	44	44 5/16	1125
78	77 13/16	1977	29	48	48 1/16	1221
84	84 1/8	2137	41	42	41 3/4	1061
84	84 1/8	2137	35	48	48 1/16	1221
84	84 1/8	2137	32	51	50 9/16	1285
84	84 1/8	2137	29	54	54 3/8	1381
90	90 7/16	2297	41	48	48 1/16	1221
90	90 7/16	2297	35	54	54 3/8	1381
90	90 7/16	2297	32	57	56 7/8	1445
90	90 7/16	2297	29	61	60 11/16	1541

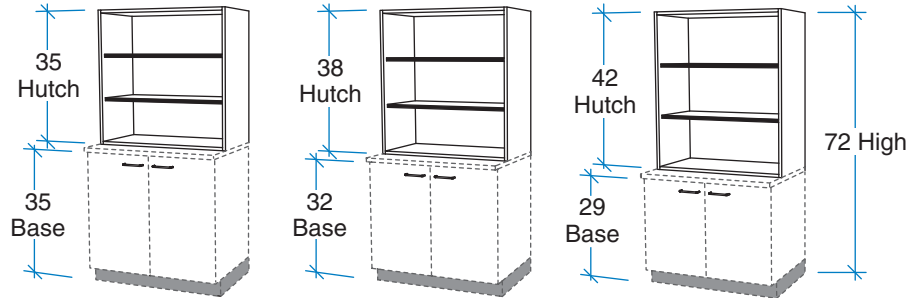
* Assembly heights based on using 1 1/16" (27mm) top.

Hutch/Base Assemblies

Typical hutch combinations are shown as the base and hutch unit nominal heights with a 1¹/₁₆" (27mm) countertop thickness.

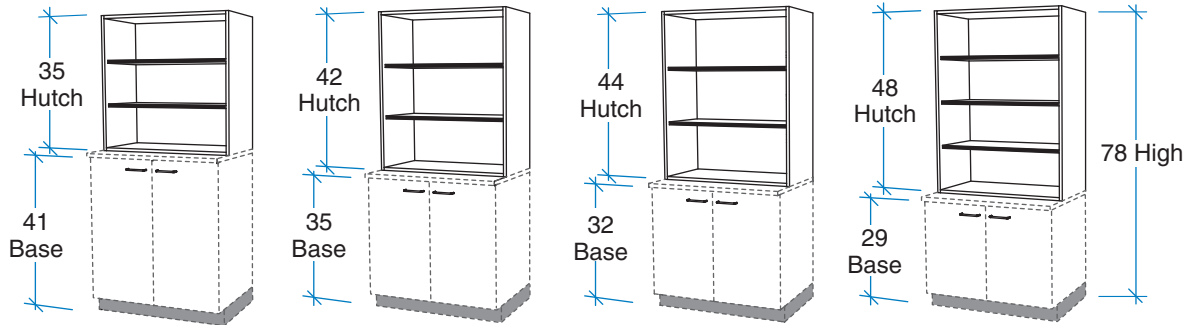
72 HIGH ASSEMBLY

Actual Height
71¹/₁₆" (1817mm)



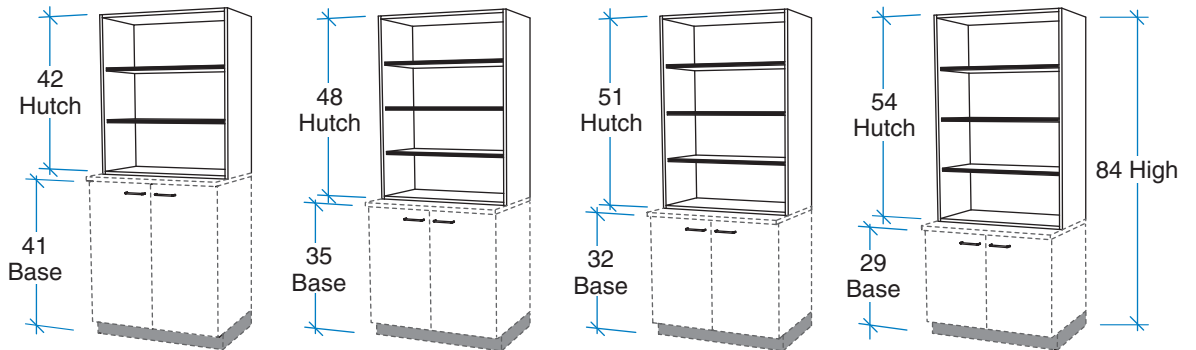
78 HIGH ASSEMBLY

Actual Height
77¹³/₁₆" (1977mm)



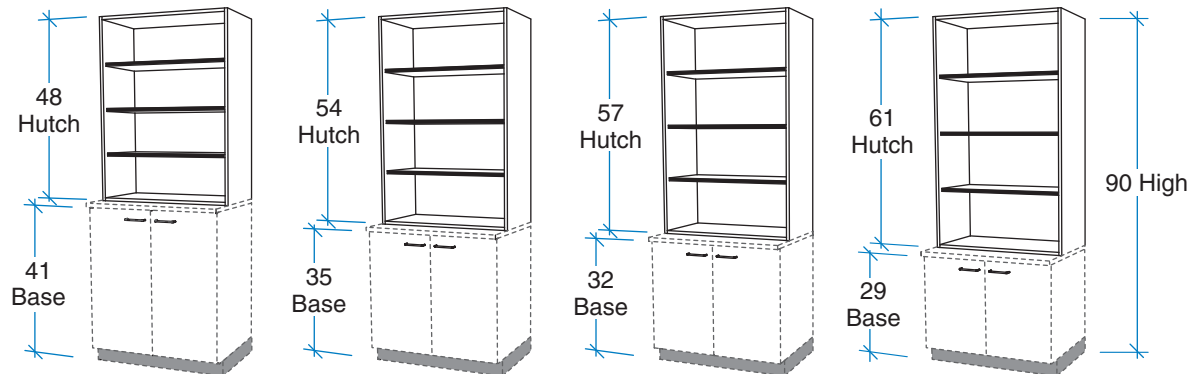
84 HIGH ASSEMBLY

Actual Height
84¹/₈" (2137mm)



90 HIGH ASSEMBLY

Actual Height
90⁷/₁₆" (2297mm)

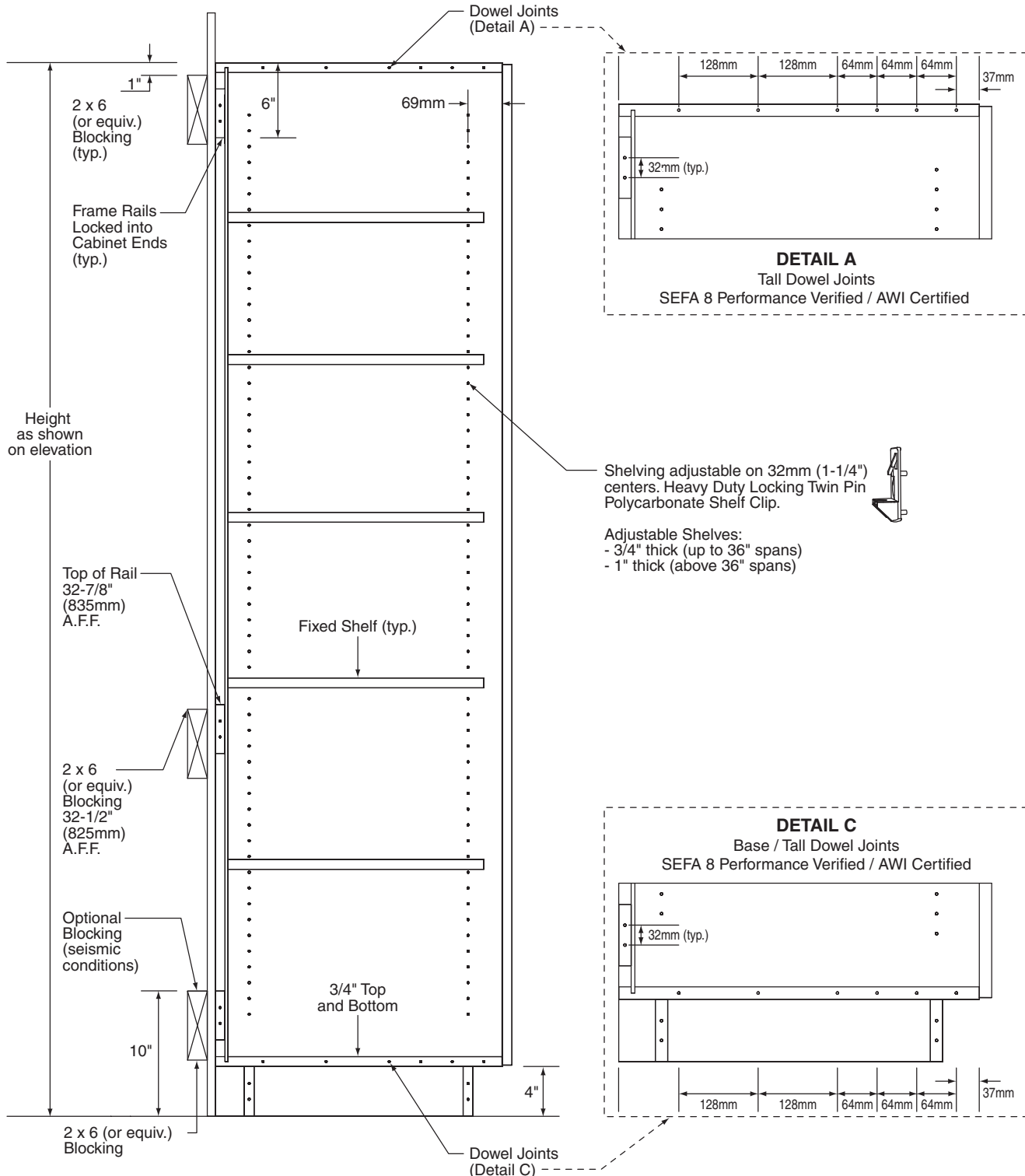


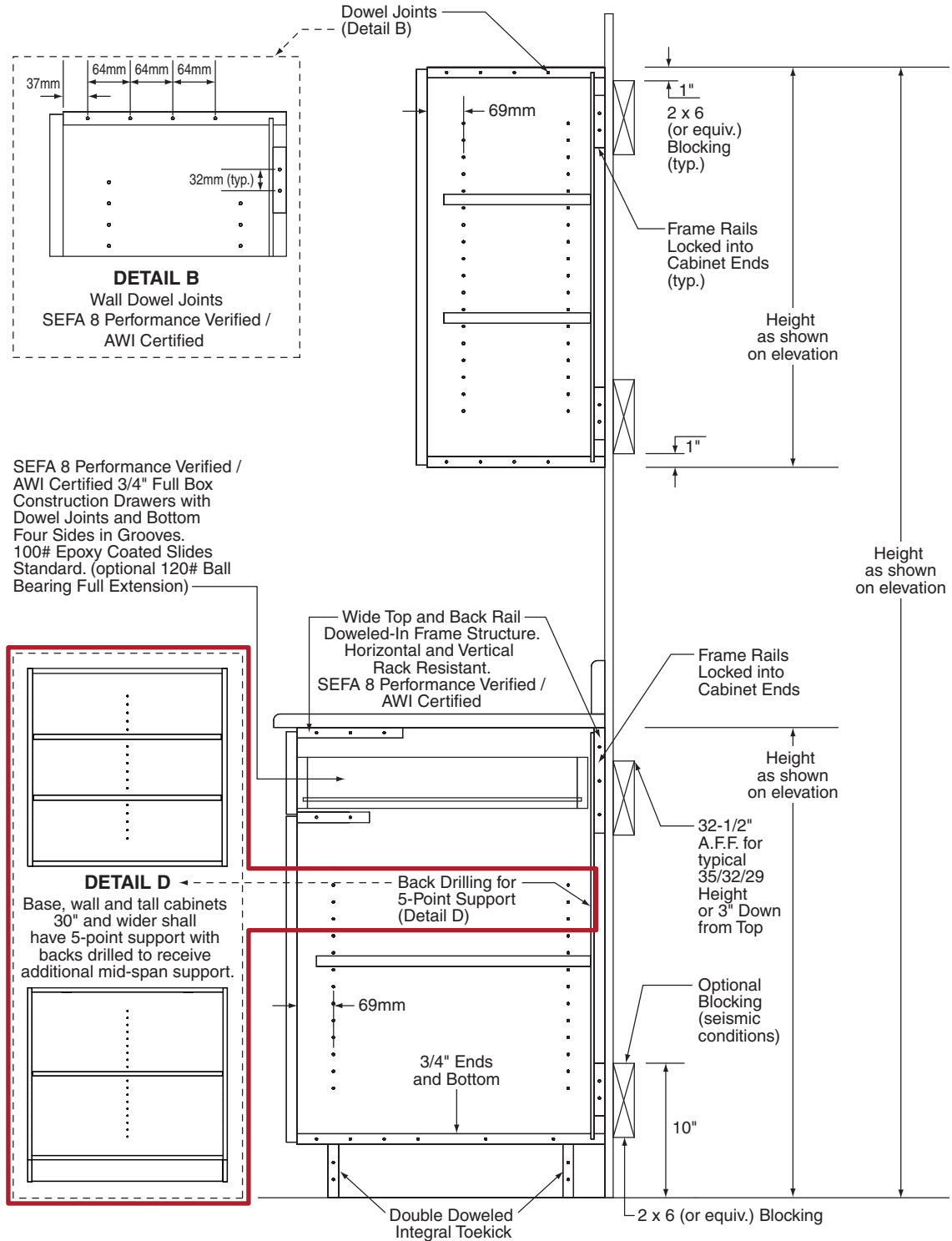
DESIGN INFORMATION

Blocking Locations Tall



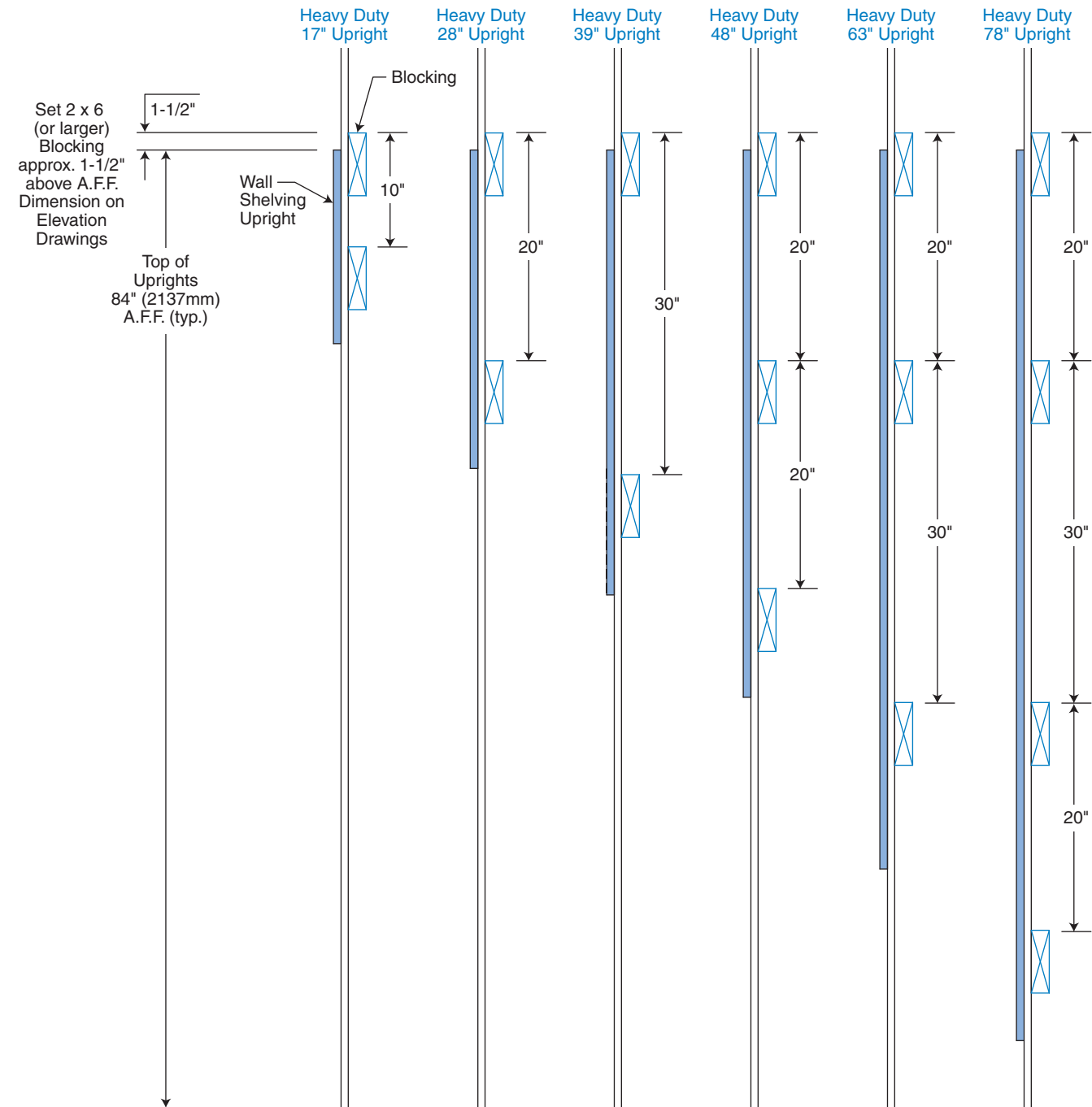
NOTE: Nominal 84" cabinet height: set soffit at 84-1/4" minimum. Slope tops require minimum 96" ceiling height for 84H cabinet heights.





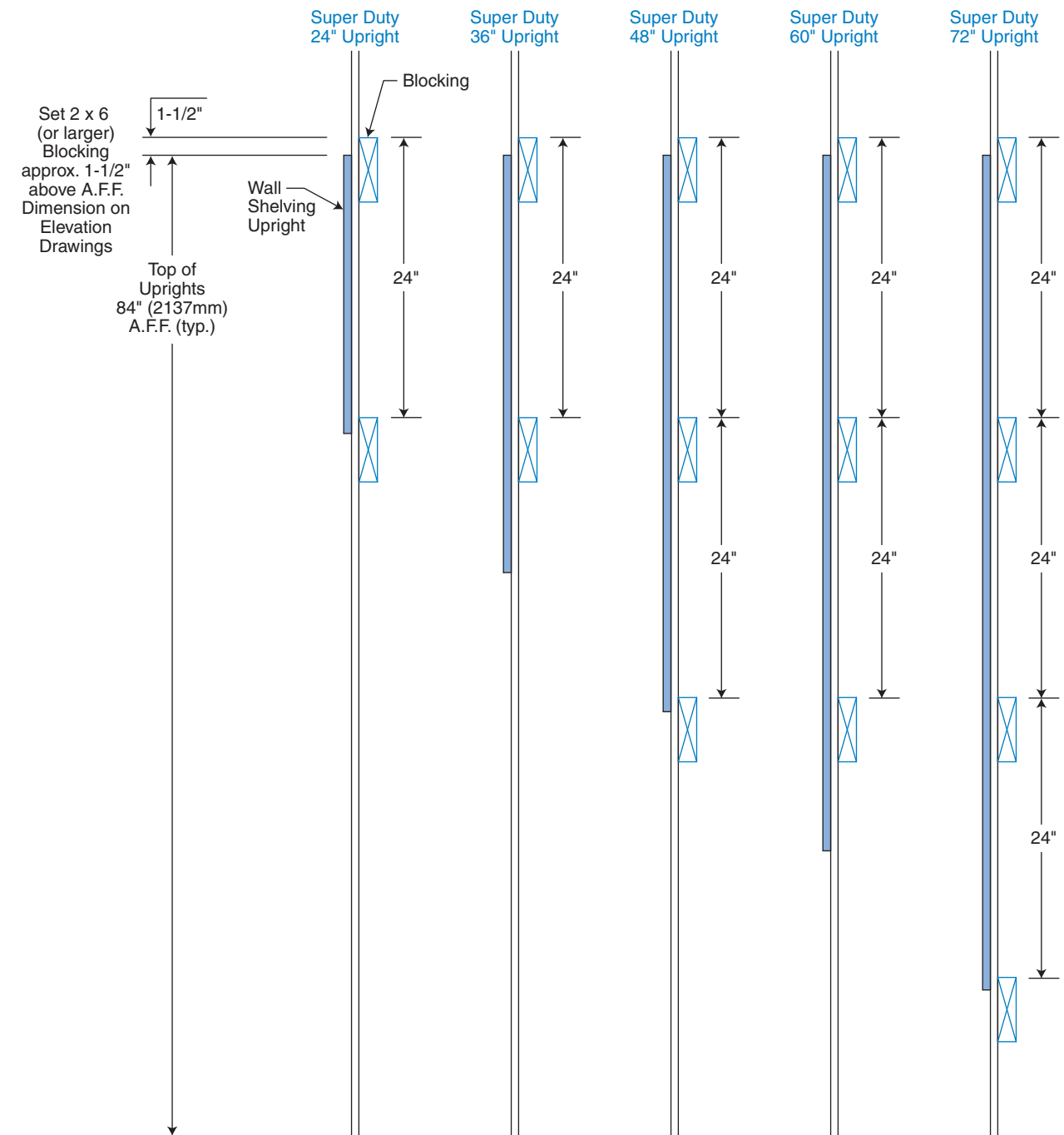
DESIGN INFORMATION

Blocking Locations Heavy Duty Wall Shelving



- Set top blocking approximately 1-1/2" above the A.F.F. upright mounting.
- Uprights shown have mounting on 10" typical centers.
- Intermediate holes not engaged to blocking must also utilize wall anchors as required per wall designs with appropriate fasteners.
- 2 x 6 blocking typical (or larger).

Blocking Locations Super Duty Wall Shelving



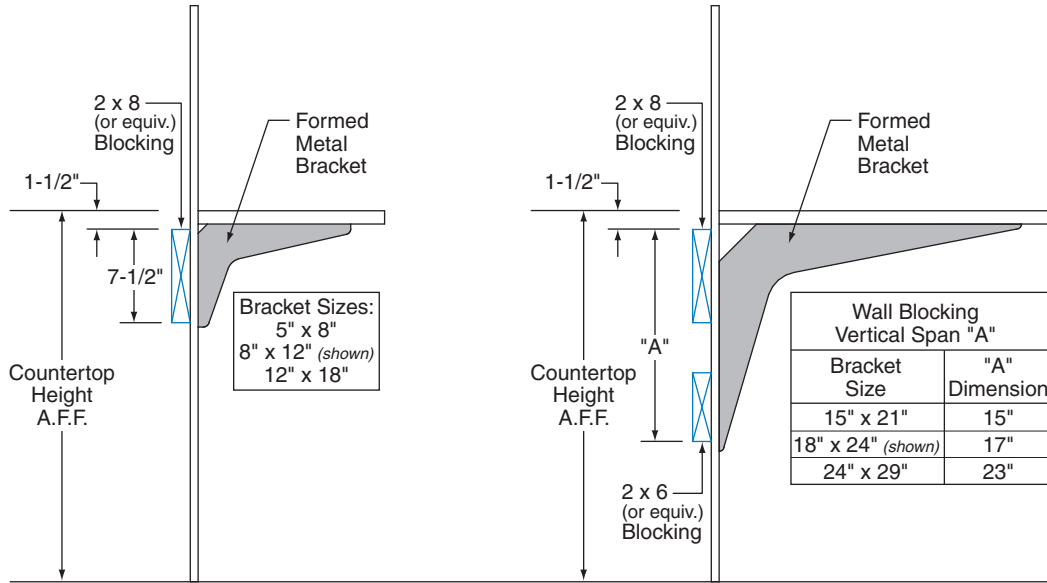
- Set top blocking approximately 1-1/2" above the A.F.F. upright mounting.
- Uprights shown have mounting on 12" typical centers.
- Intermediate holes not engaged to blocking must also utilize wall anchors as required per wall designs with appropriate fasteners.
- 2 x 6 blocking typical (or larger).

DESIGN INFORMATION

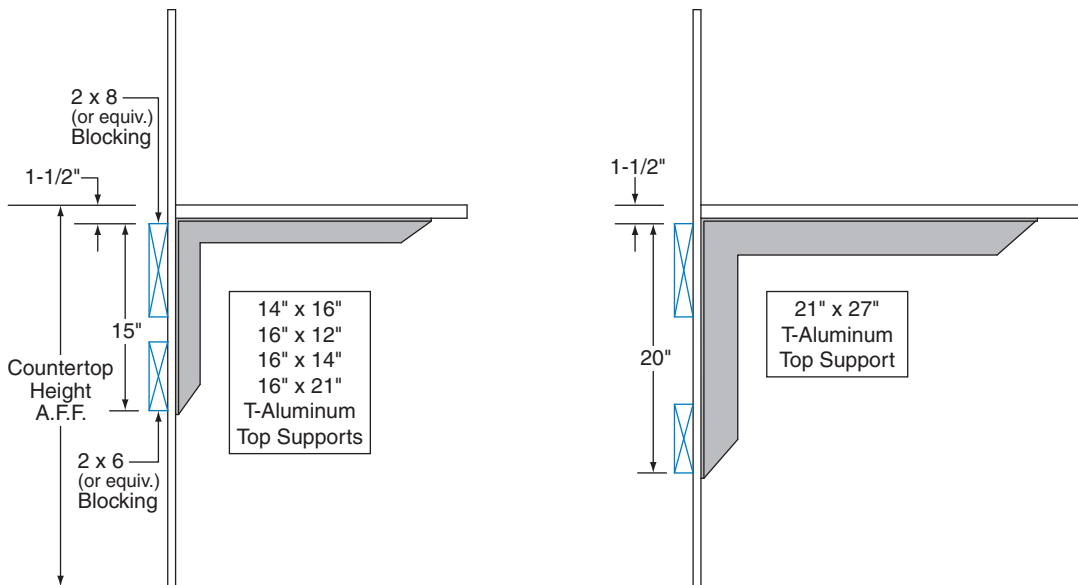
Blocking Locations Top Support



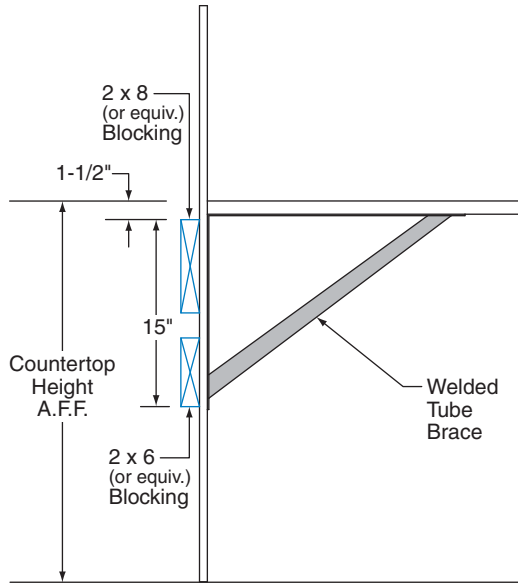
METAL TOP SUPPORTS



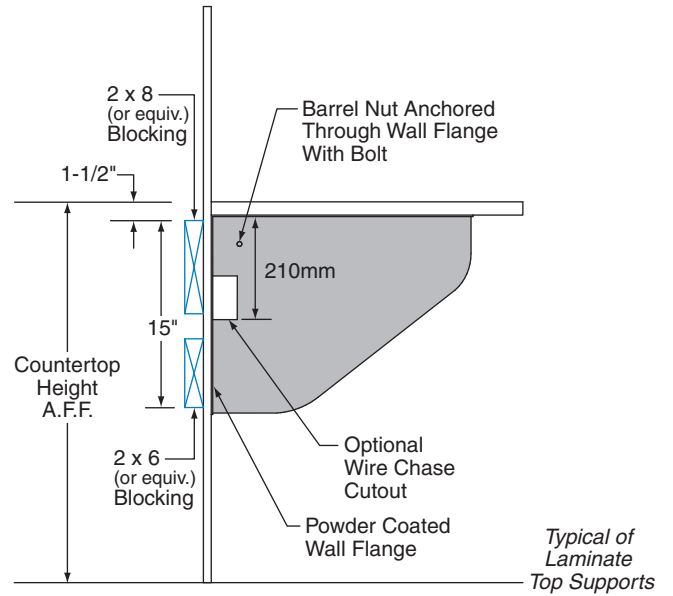
ALUMINUM TOP SUPPORTS



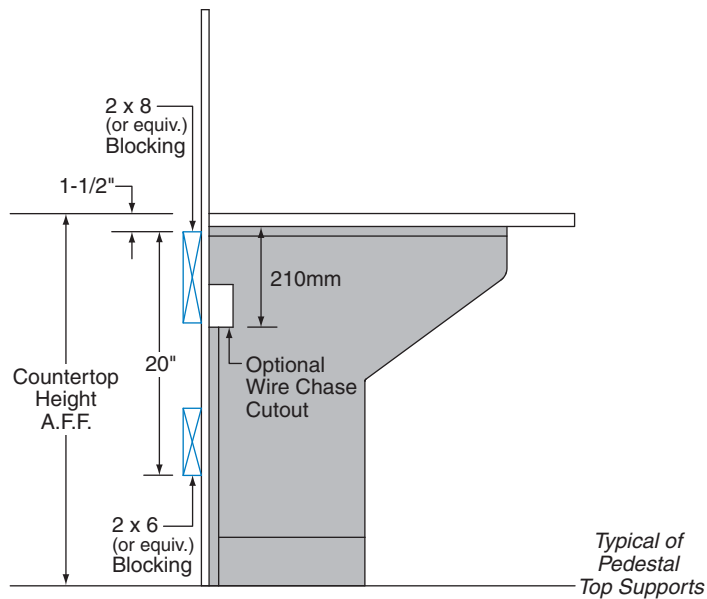
DIAGONAL TOP SUPPORTS



LAMINATE TOP SUPPORTS



PEDESTAL TOP SUPPORTS

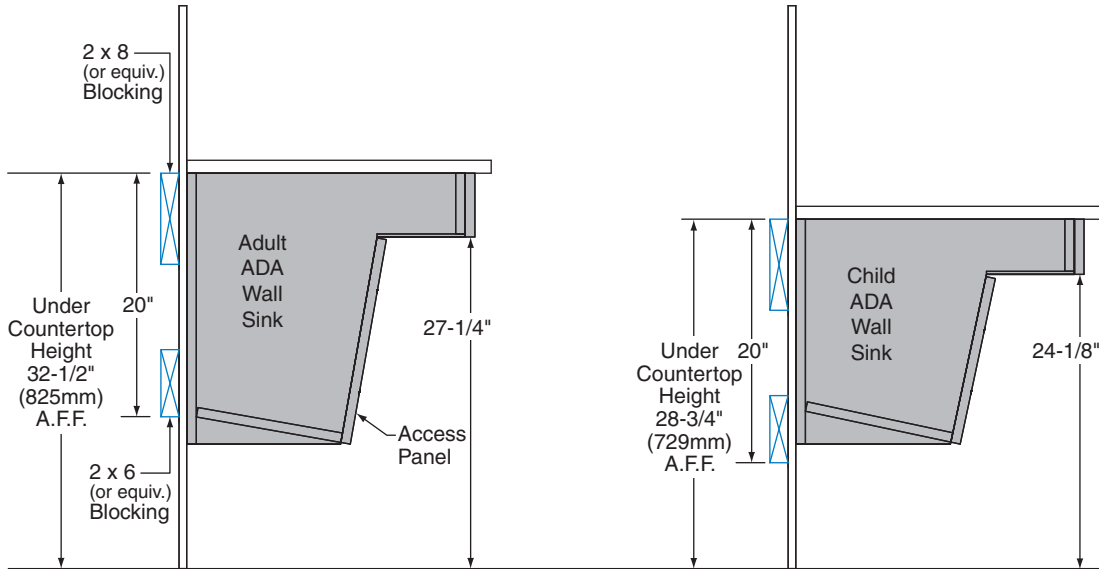


DESIGN INFORMATION

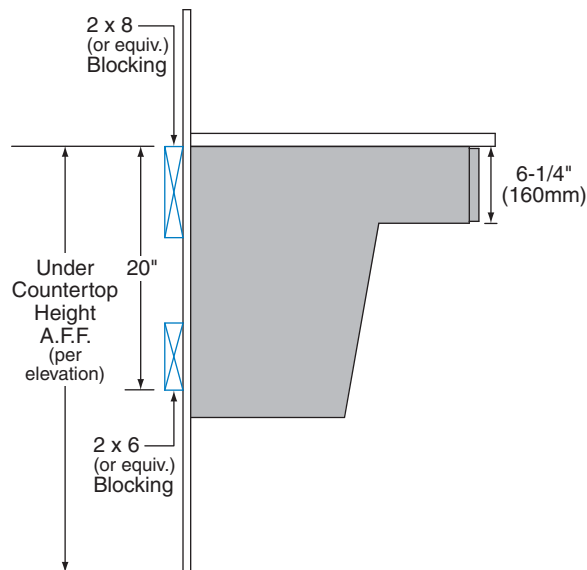
Blocking Locations ADA Sink/Wall Vanity/Wall Desk



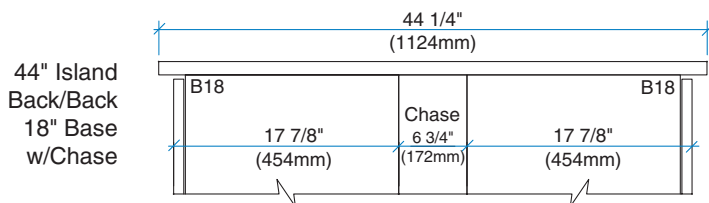
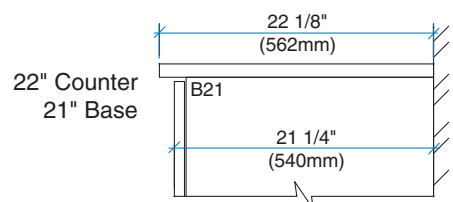
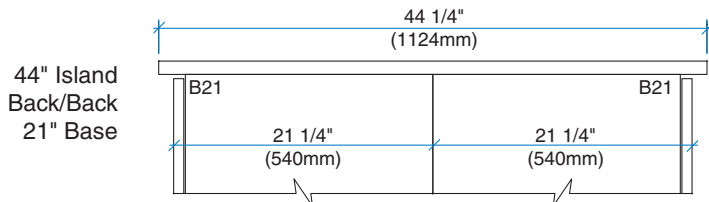
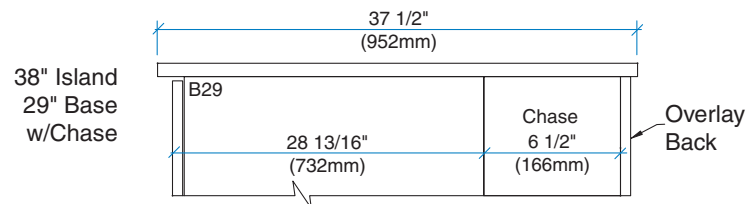
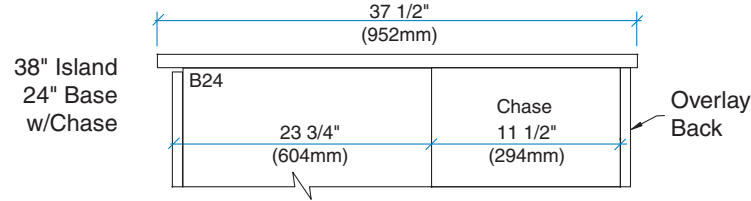
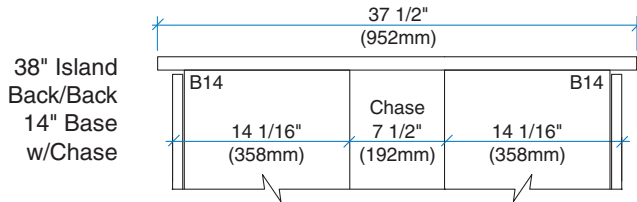
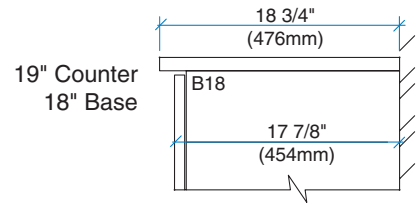
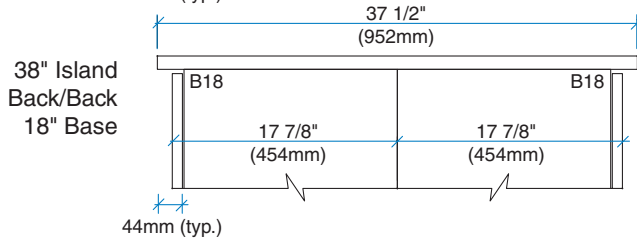
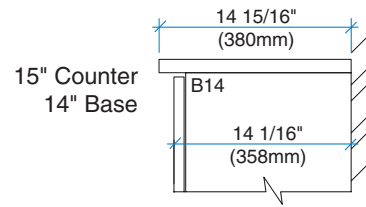
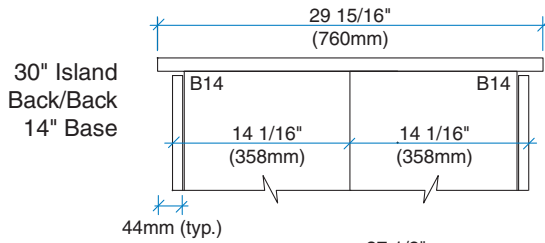
ADA SINKS



WALL VANITIES/WALL DESKS



Top Sections 15"/19"/22" Counter Tops 30"/38"/44" Island Tops



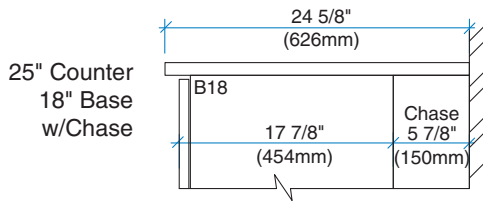
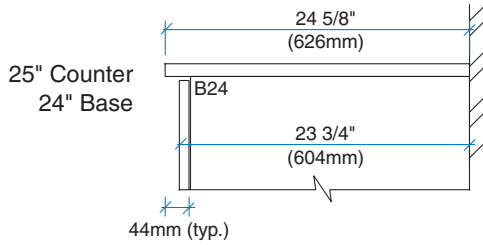
DESIGN INFORMATION



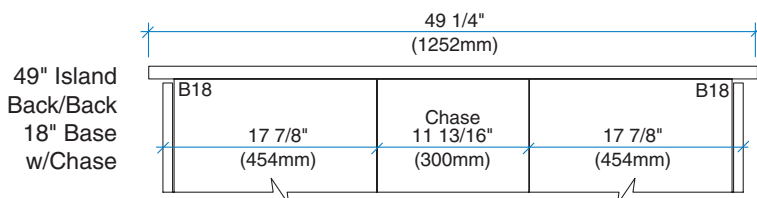
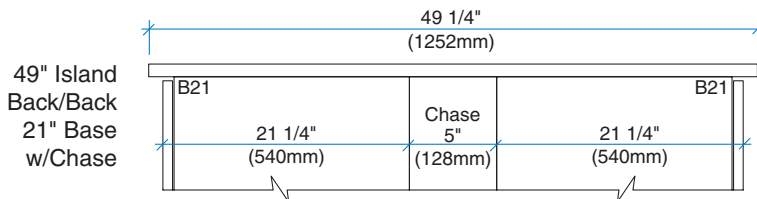
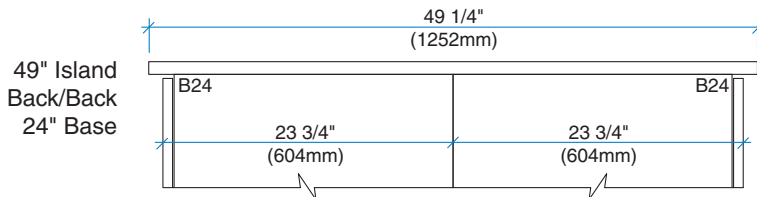
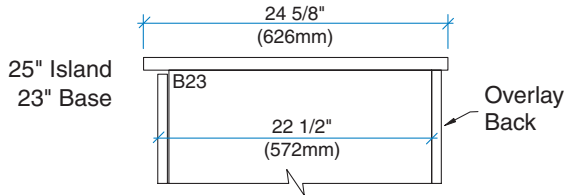
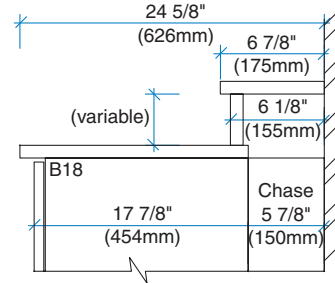
Top Sections

25" Counter/Island Tops

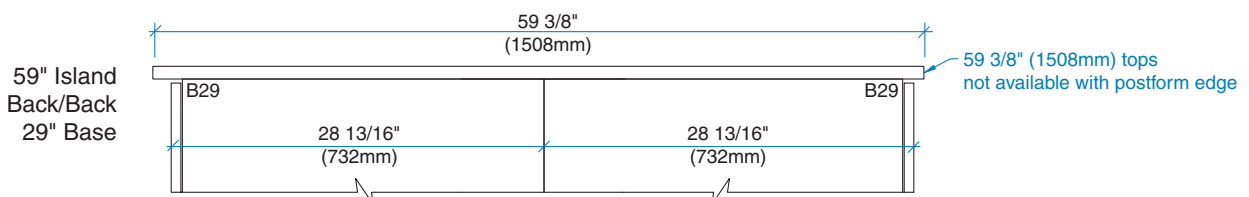
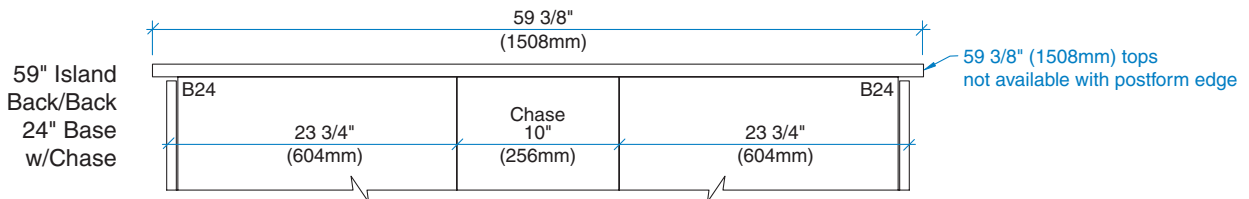
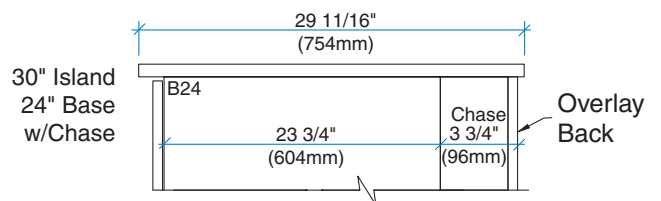
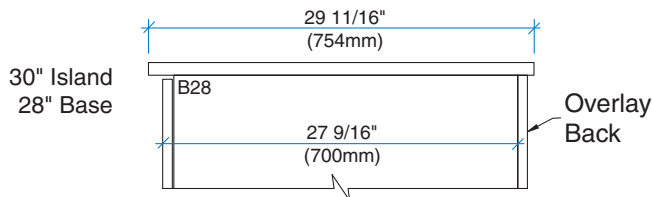
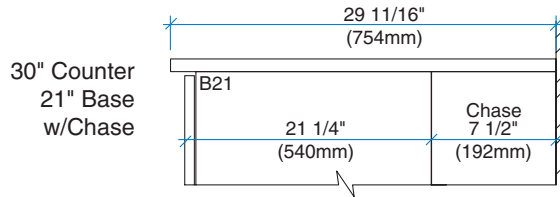
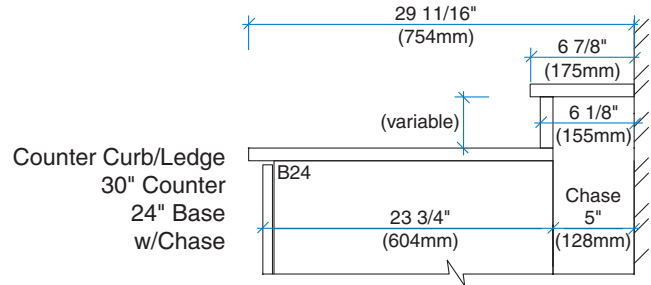
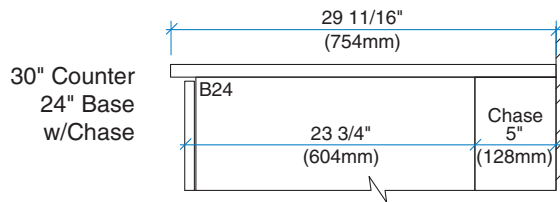
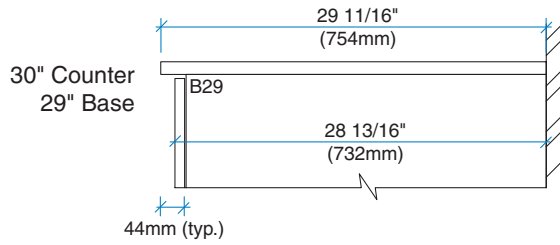
49" Island Tops



Counter Curb/Ledge
25" Counter
18" Base
w/Chase



Top Sections 30" Counter/Island Tops 59" Island Tops

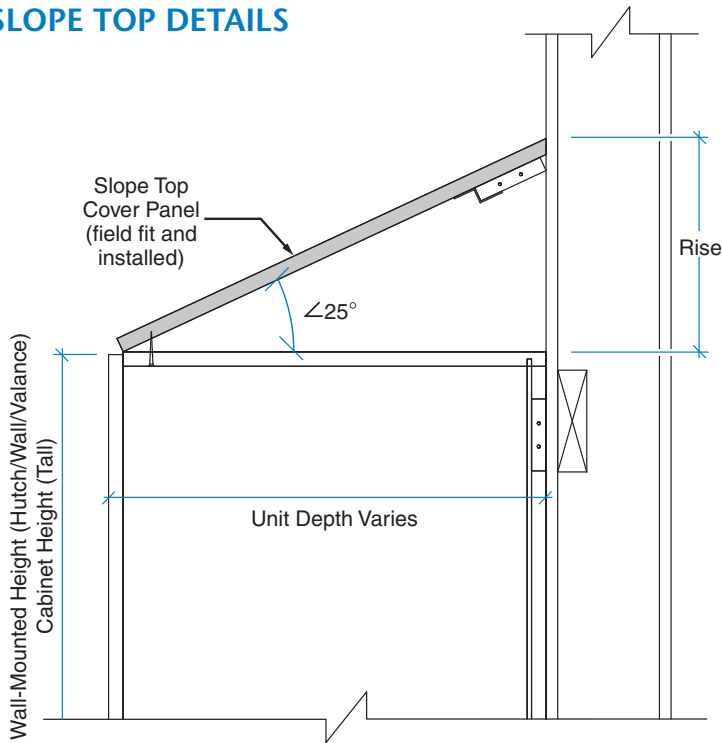


DESIGN INFORMATION

Slope Top/Valance Details



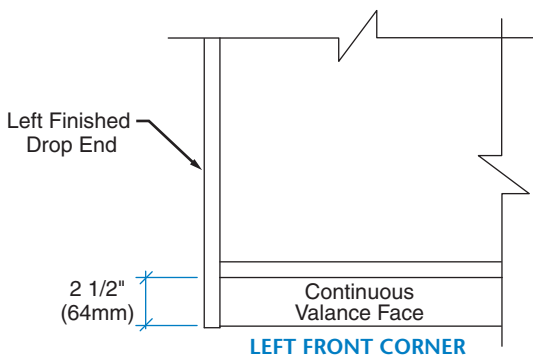
SLOPE TOP DETAILS



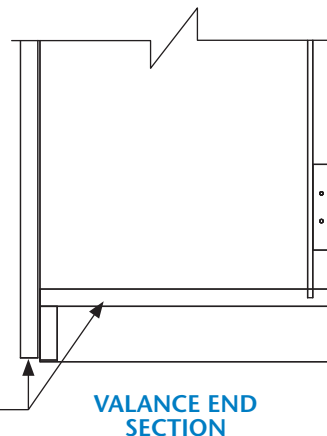
Stevens Advantage slope top units are designed with integral slope ends, eliminating the need for on-the-job fabrication of slope structures. Overlay slope cover panels are shipped with length and end edging for final fit and sizing as installation field conditions may require. Stevens Advantage slope design incorporates a full 3/4" thick slope top on a 25° constant rising slope. Slope top options are available on nominal cabinet depths of 14", 18", 21", and 24". Slope tops not recommended for wall-mounted/cabinet height above 84", due to possible ceiling interferences. Slope top cover panels must be specified and ordered separately (not included with cabinet units).

Nominal Unit Depth	Rise	
	inches	mm
14	7	177.9
18	8 3/4	222.6
21	10 3/8	262.8
24	11 1/2	292.8

VALANCE DETAILS



Stevens Advantage valance units are designed to allow continuous valance aprons under wall units. A finished end/drop left or drop right indication lowers the designated end panel to align with the valance rail. Field cutting of intermediate sides is not required to install under-cabinet valance lighting. Return corners are not required upon installation.

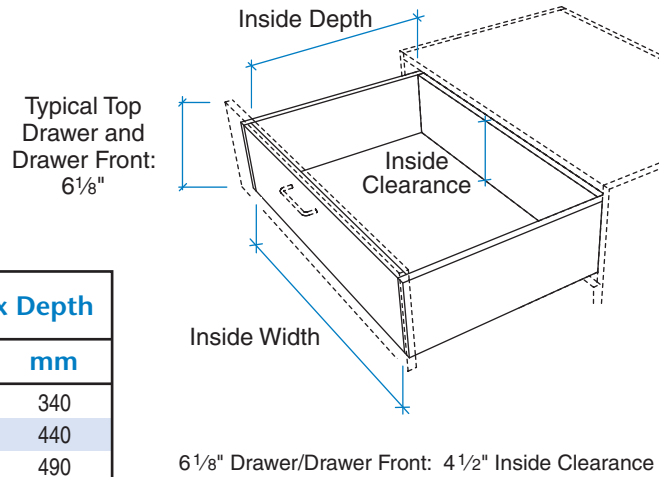


Because cabinet bottom is set up in relation to door bottom edge, exposed hinges will not align with conventional cabinet hinge locations.

DRAWER DETAILS

Cabinet Width	Inside Box Width	
	inches	mm
12	7 15/16	199
15	10 15/16	275
18	13 15/16	351
21	16 15/16	427
24	19 15/16	504
27	22 15/16	580
30	25 15/16	656
33	28 15/16	732
36	31 15/16	808
39	34 15/16	885
42	37 15/16	961
45	40 15/16	1037
48	43 15/16	1113

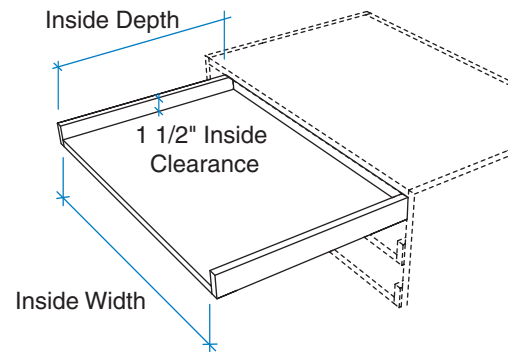
Cabinet Depth Nominal	Inside Box Depth	
	inches	mm
18	13 3/8	340
21	17 3/8	440
24	19 1/4	490
29	25 3/16	640
34	31 7/16	798



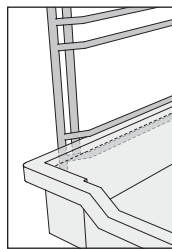
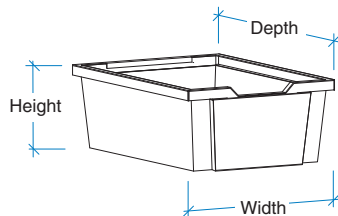
ROLLOUT SHELF DETAILS

Cabinet Width	Inside Shelf Width	
	inches	mm
18	12 1/4	311
24	18 1/4	464
30	24 1/4	616
36	30 1/4	768
42	36 1/4	921
48	42 1/4	1073

Cabinet Depth Nominal	Inside Shelf Depth	
	inches	mm
18	14	355
21	17 3/8	441
24	19 7/8	505
29	25 15/16	633
34	29 15/16	761

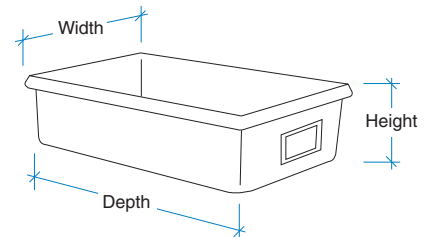


BIN DETAILS



Bin and tray racks have captured runner rail to reduce tray tipout.

TRAY DETAILS



Model #	Outside			Inside		
	W	H	D	W	H	D
SA910	12 1/4	3	16 3/4	10 5/8	3	14 1/4
SA911	12 1/4	6	16 3/4	10 5/8	6	14 1/4
SA912	12 1/4	12	16 3/4	10 5/8	12	14 1/4

Requires minimum nominal 21" cabinet depth.

Model #	Outside			Inside		
	W	H	D	W	H	D
SA901	14 1/4	3 1/2	19	12 3/4	3 1/2	17 1/4
SA902	10	3 1/2	19	8 1/2	3 1/2	17 1/4

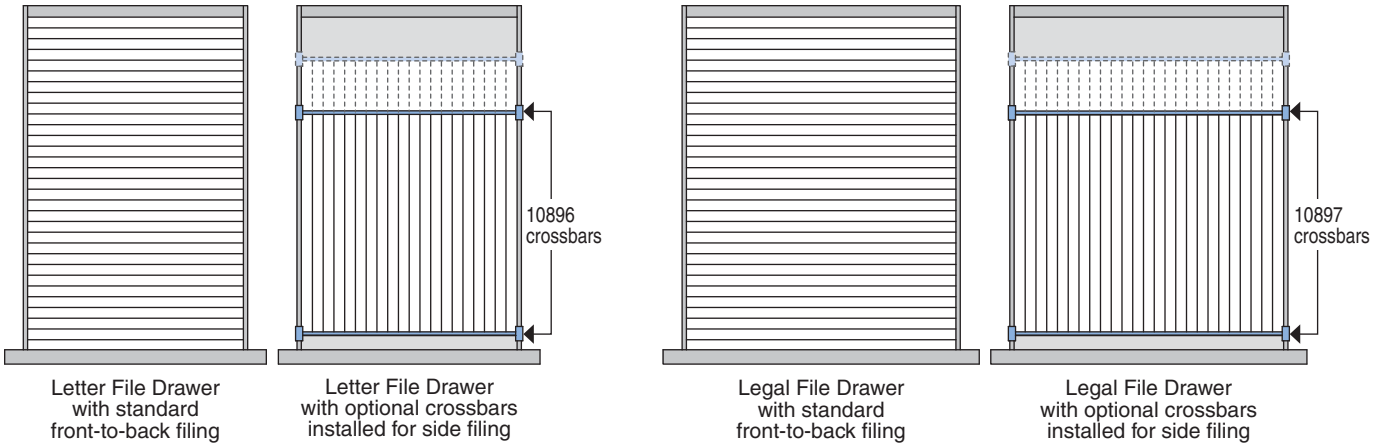
Requires minimum nominal 24" cabinet depth.

DESIGN INFORMATION

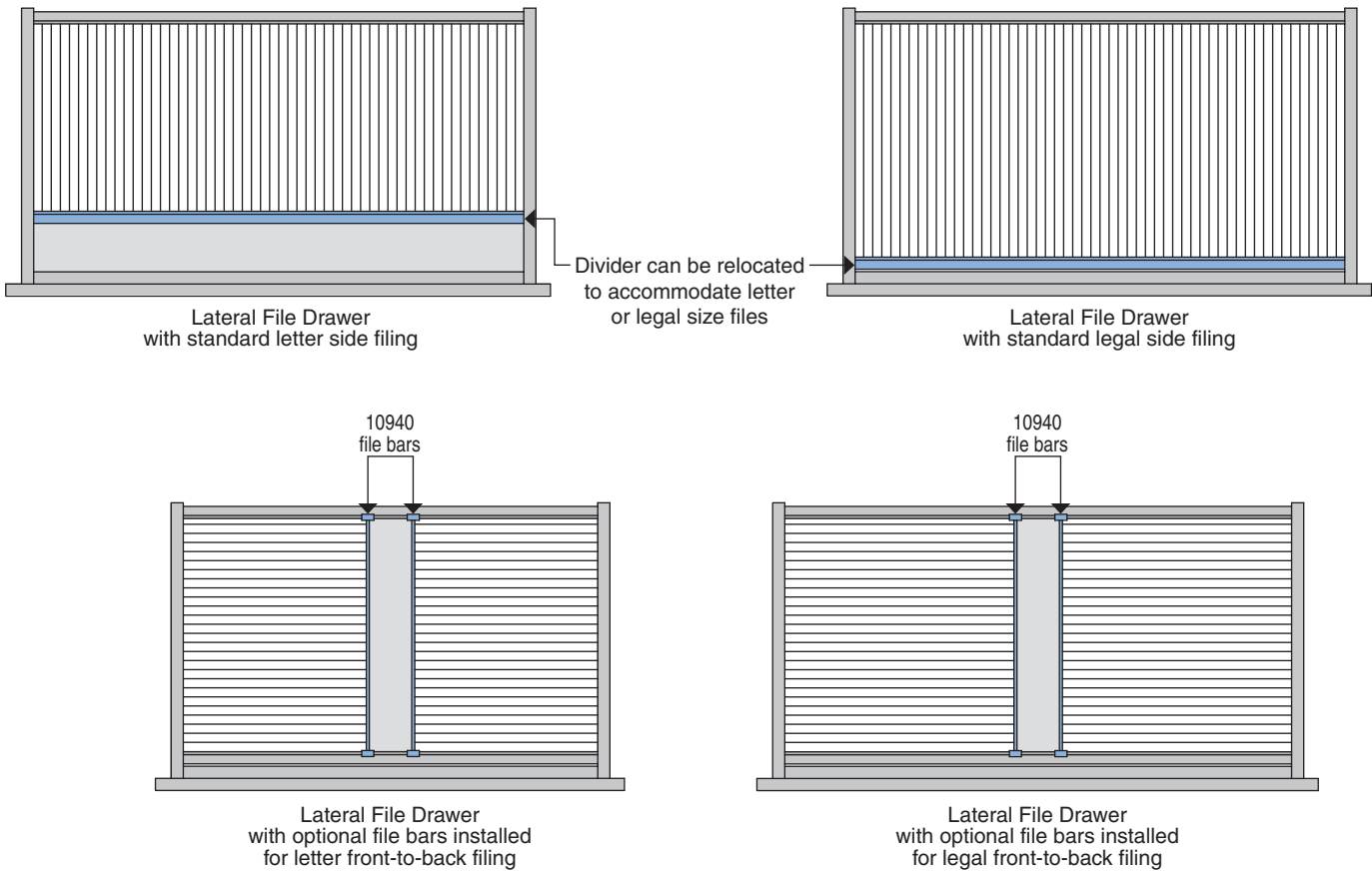
File Drawer Details



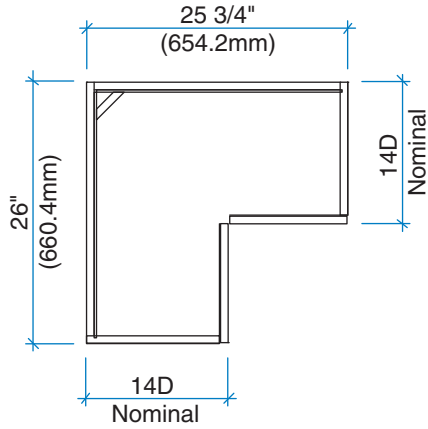
Letter (15W) and legal (18W) file cabinets are designed for front-to-back filing.
Optional 10896 and 10897 crossbars allow side filing.



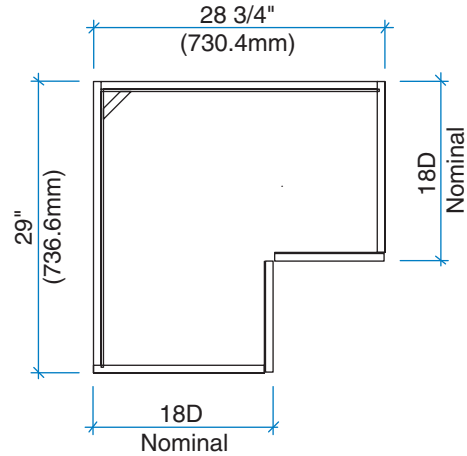
Lateral file cabinets are designed for side filing.
Optional 10940 file bars allow front-to-back filing (30" minimum cabinet width).



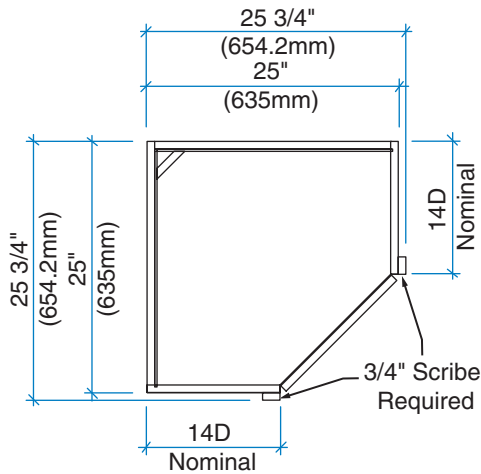
14D WALL L-SHAPED CORNER



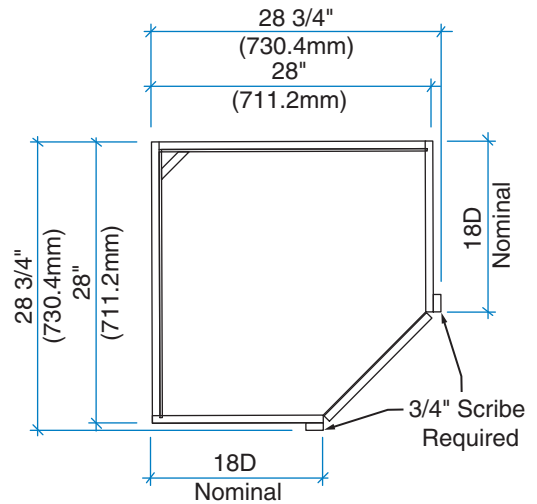
18D WALL L-SHAPED CORNER



14D WALL DIAGONAL CORNER



18D WALL DIAGONAL CORNER

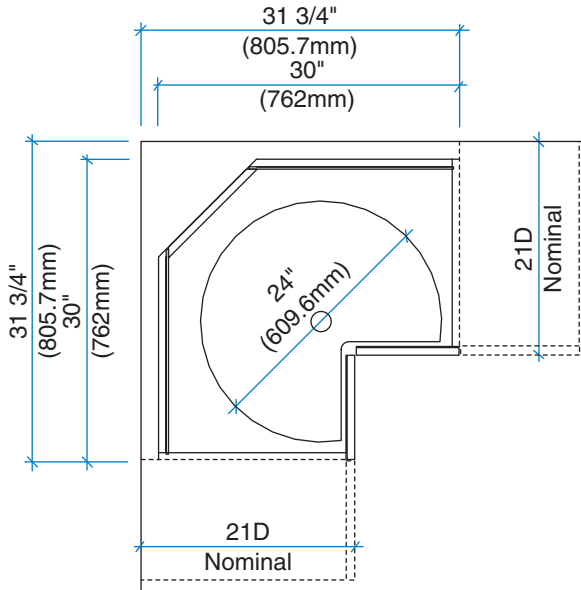


DESIGN INFORMATION

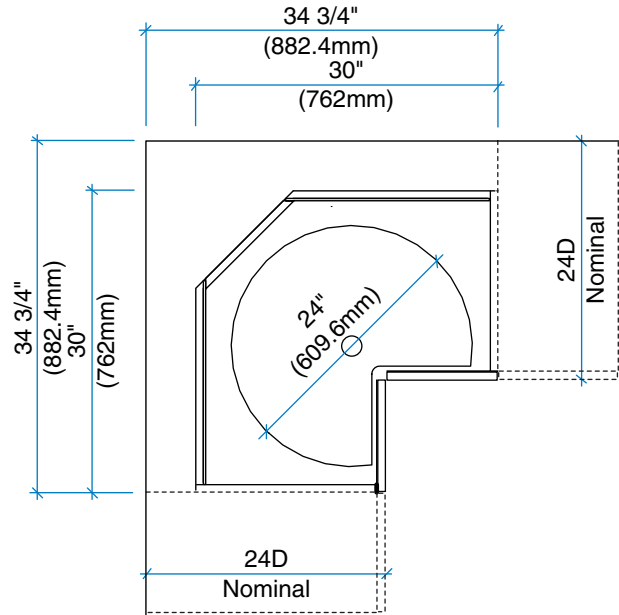
L-Shaped/Diagonal Corner Details Base



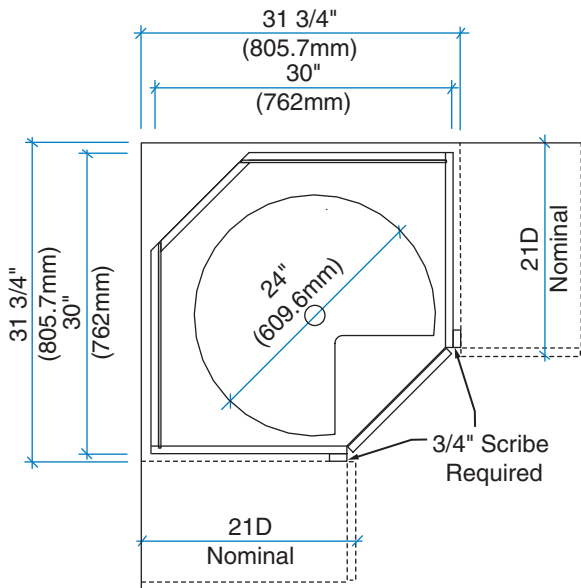
21D BASE L-SHAPED CORNER



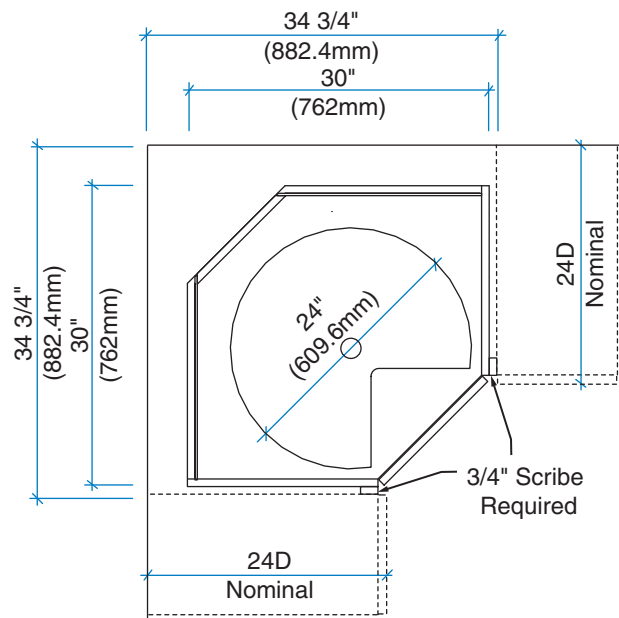
24D BASE L-SHAPED CORNER



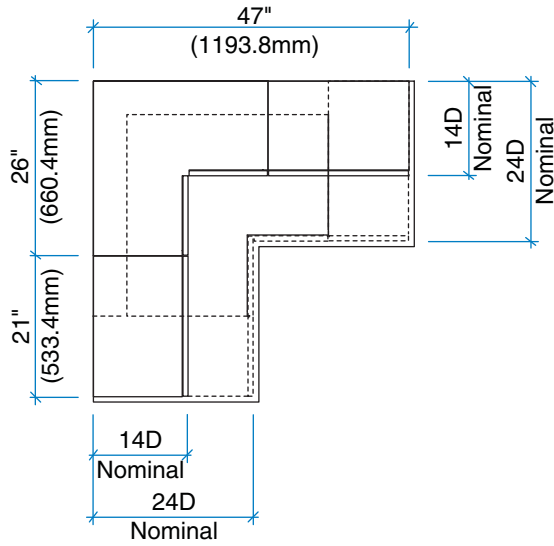
21D BASE DIAGONAL CORNER



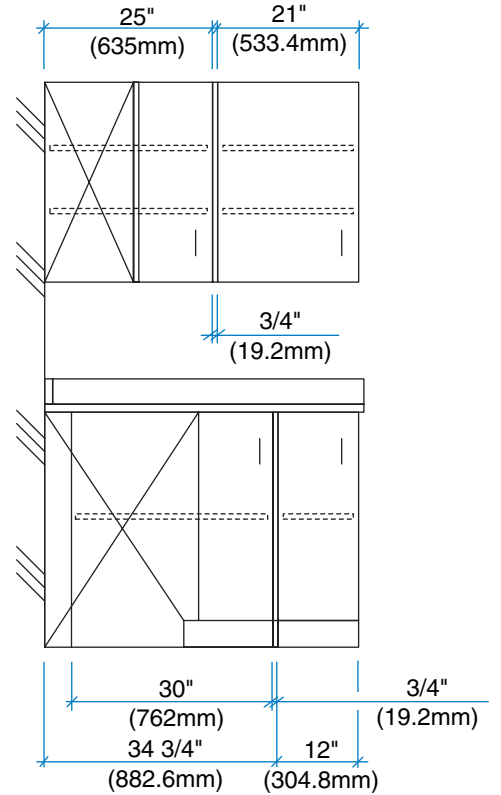
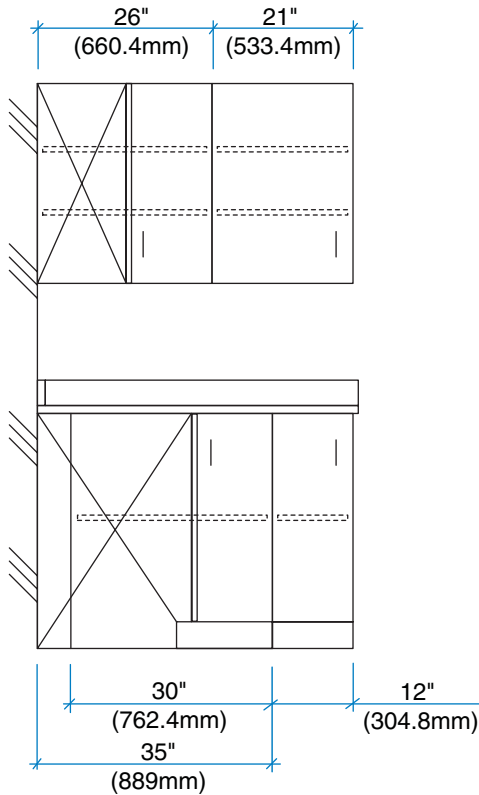
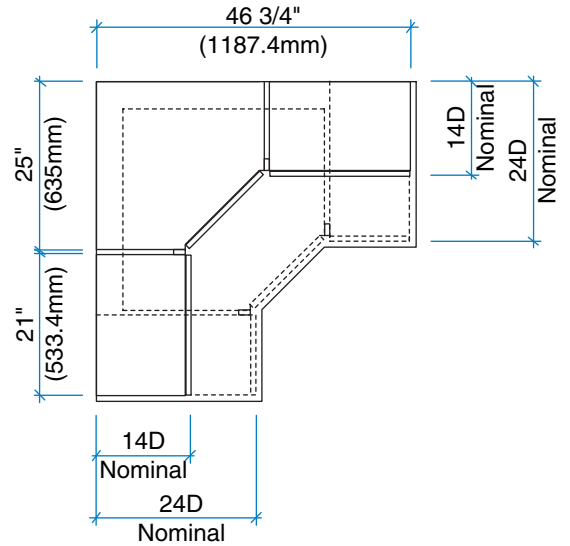
24D BASE DIAGONAL CORNER



14D WALL/24D BASE L-SHAPED CORNER ALIGNMENT



14D WALL/24D BASE DIAGONAL CORNER ALIGNMENT



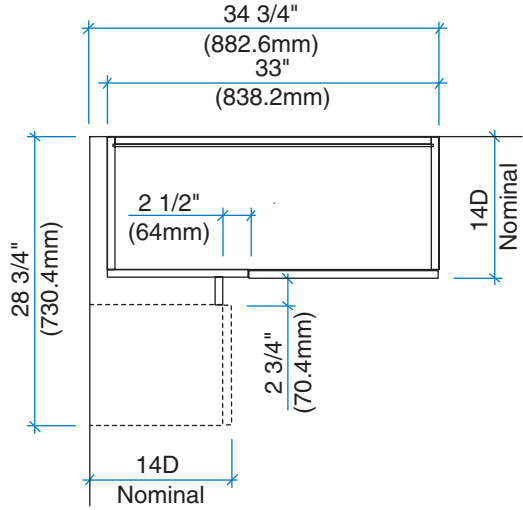
Wider units than 21" or 12" may be applied and still maintain alignment.

DESIGN INFORMATION

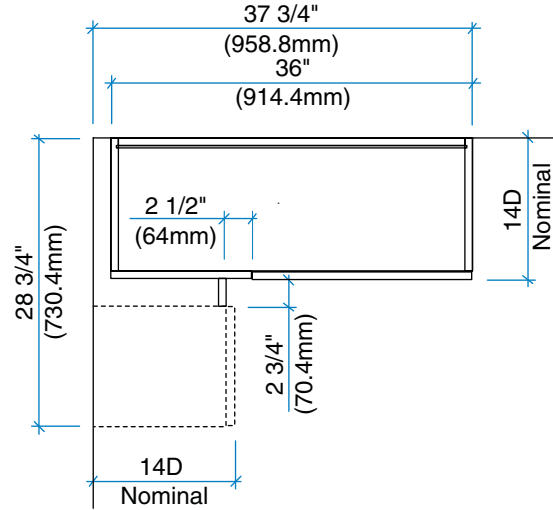
Blind Corner Details Wall



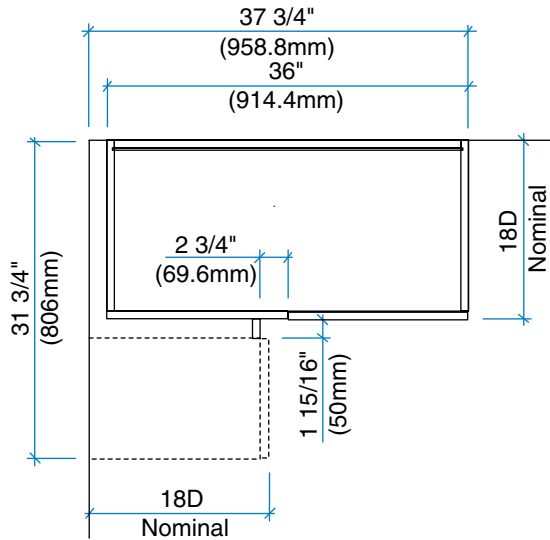
14D WALL BLIND CORNER - 33W



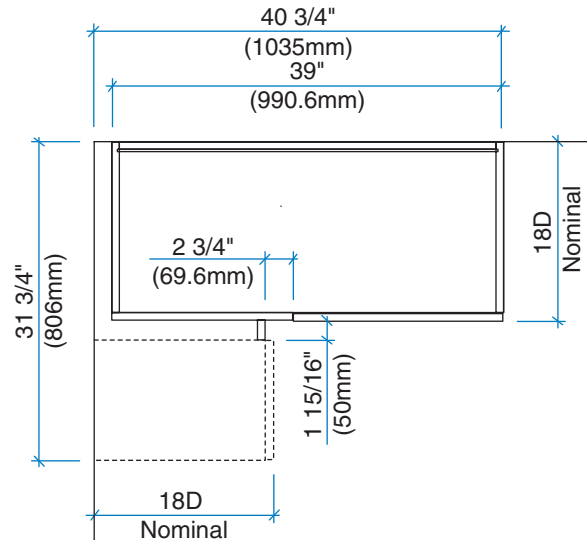
14D WALL BLIND CORNER - 36W



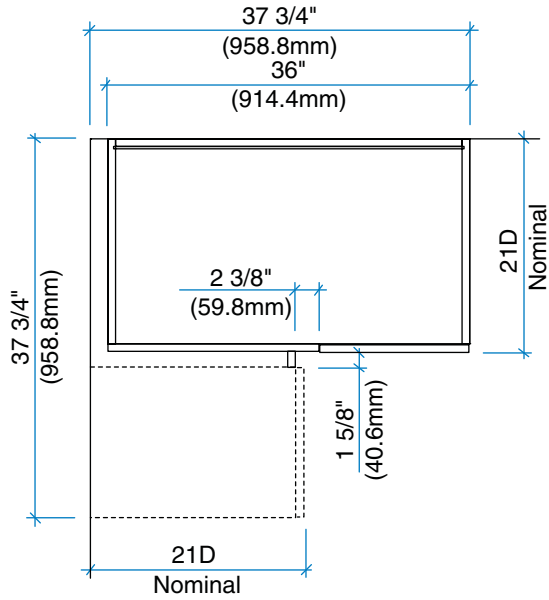
18D WALL BLIND CORNER - 36W



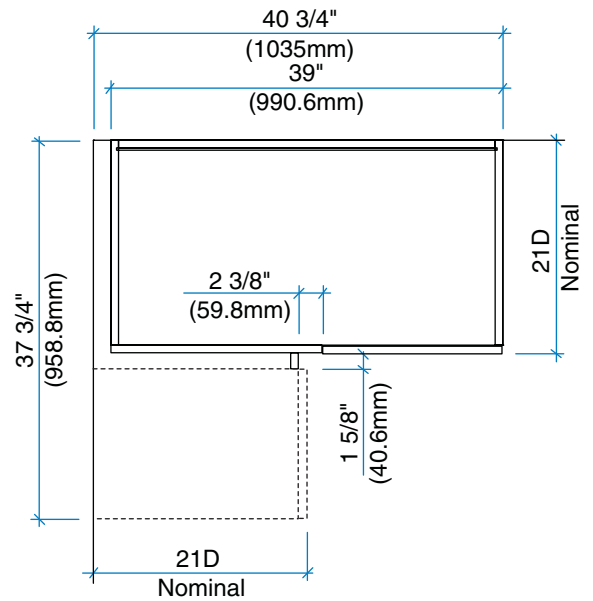
18D WALL BLIND CORNER - 39W



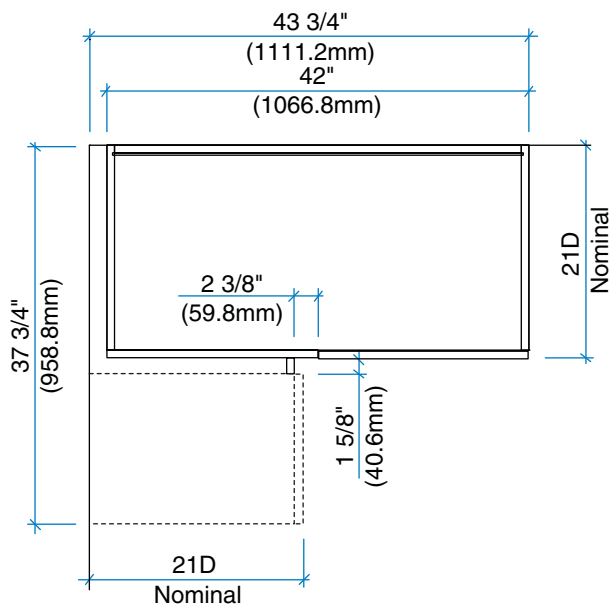
21D BASE BLIND CORNER - 36W



21D BASE BLIND CORNER - 39W



21D BASE BLIND CORNER - 42W

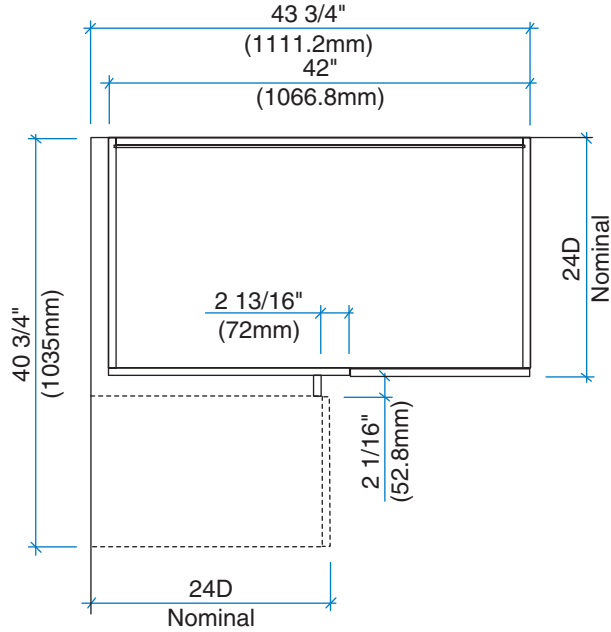


DESIGN INFORMATION

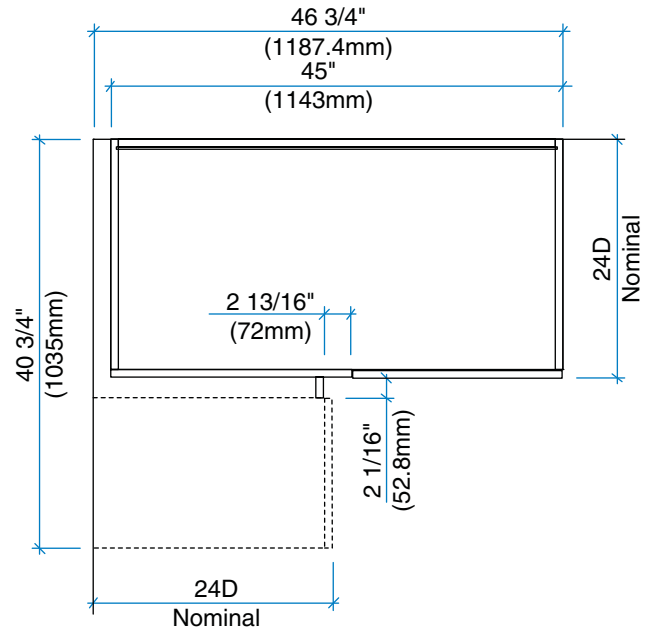
Blind Corner Details 24D Base



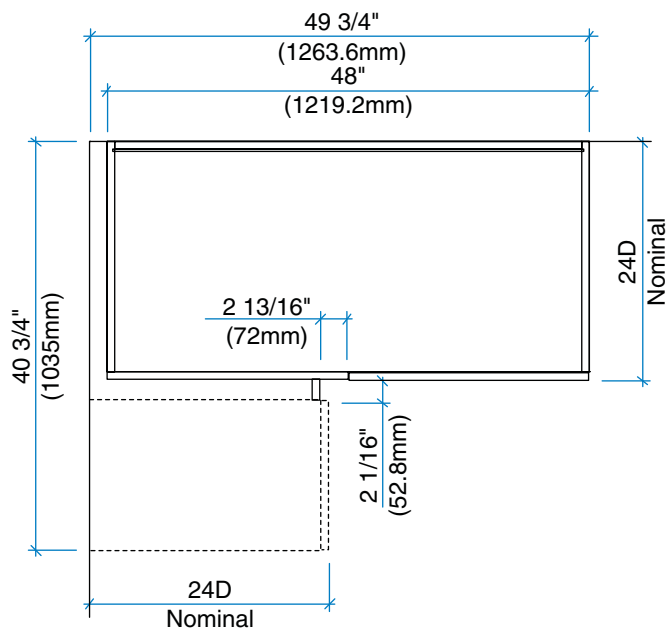
24D BASE BLIND CORNER - 42W



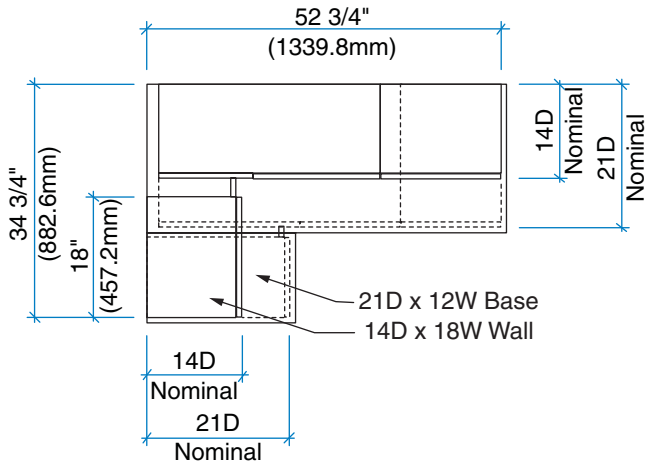
24D BASE BLIND CORNER - 45W



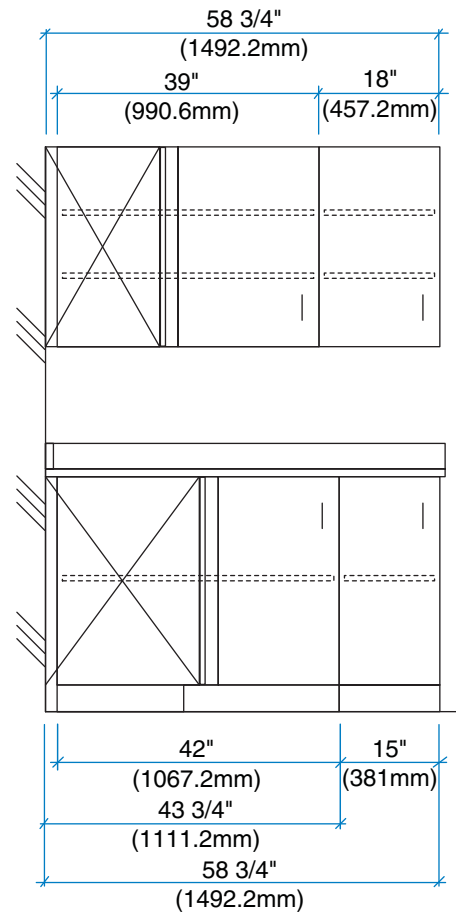
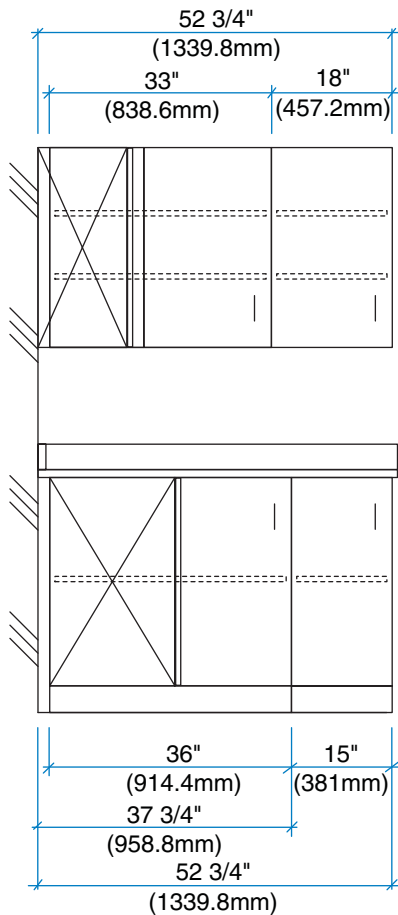
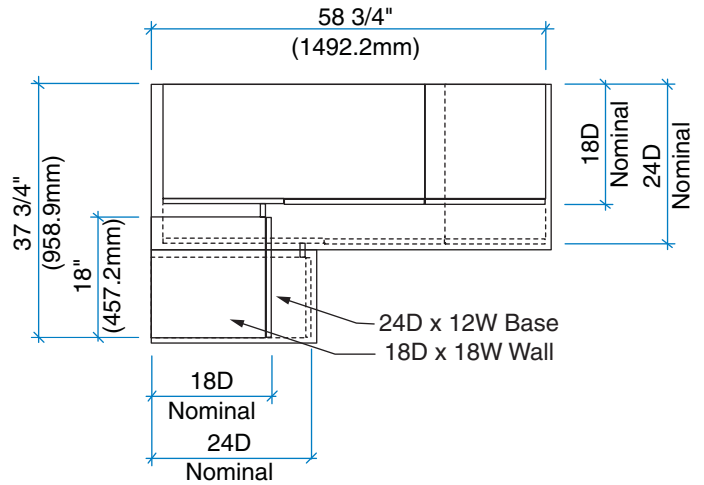
24D BASE BLIND CORNER - 48W



14D WALL/21D BASE BLIND CORNER ALIGNMENT



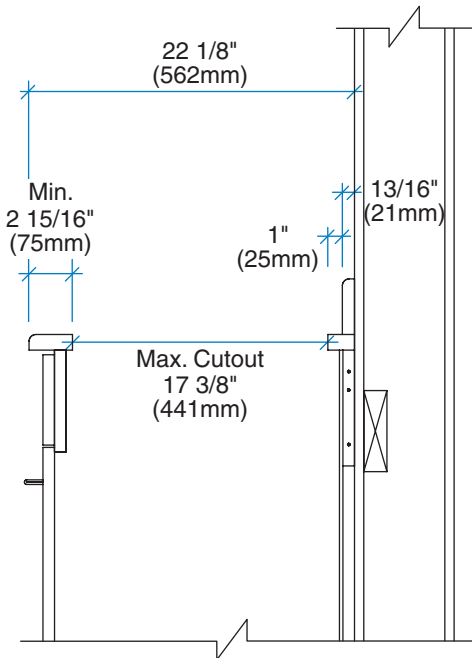
18D WALL/24D BASE BLIND CORNER ALIGNMENT



Wider units than 18" or 15" may be applied and still maintain alignment.

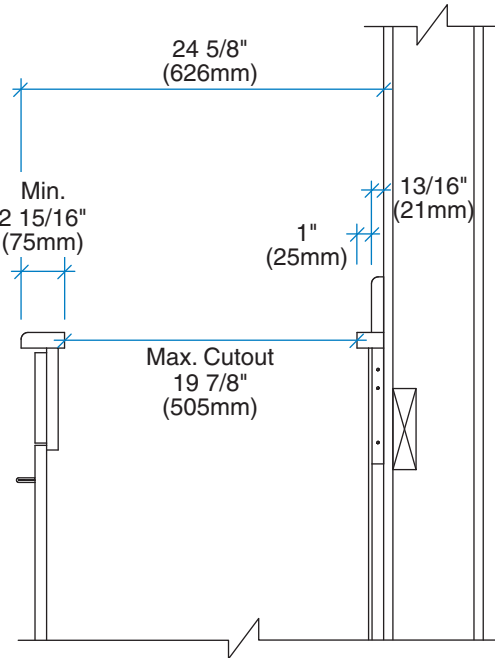
DESIGN INFORMATION

Sink Guidelines



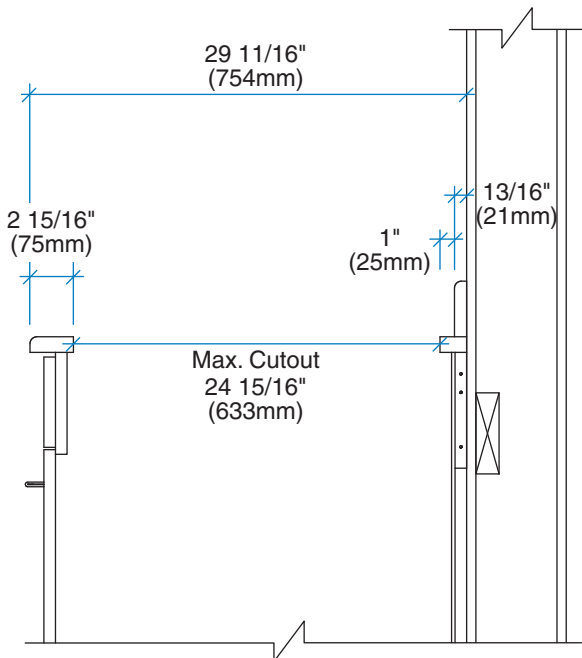
NOMINAL 21 SINK CABINET DEPTH

Accommodates up to 18" Deep Stainless Steel Sink



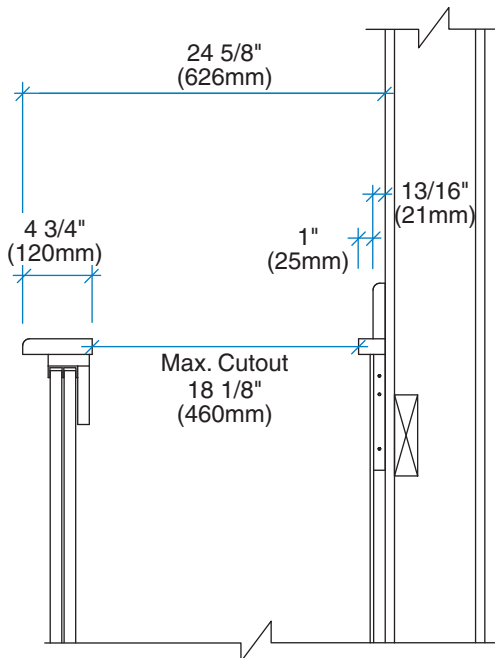
NOMINAL 24 SINK CABINET DEPTH

Accommodates up to 21" Deep Stainless Steel Sink
(19" Deep Recommended)



NOMINAL 29 SINK CABINET DEPTH

Accommodates up to 25" Deep Stainless Steel Sink



NOMINAL 24 SLIDING DOOR SINK CABINET DEPTH

Accommodates up to 18" Deep Stainless Steel Sink

NOMINAL 29 SLIDING DOOR SINK CABINET DEPTH

Accommodates up to 24" Deep Stainless Steel Sink

Pull Orientation

Stevens Advantage cabinets are available with either vertical or horizontal pull orientations.

VERTICAL PULL ORIENTATION (standard)

Drawer pulls are centered (top to bottom, left to right) on drawer fronts.



HORIZONTAL PULL ORIENTATION

Pulls on top drawers align with pulls on full-height base doors.

All drawer pulls are positioned the same.

