

### Table of Contents

#### COUNTERTOPS

<b>Terms and Codes .....</b>	<b>2</b>
<b>Laminate Series.....</b>	<b>3-4</b>
LS05: 3mm edge top, applied 3mm edge backsplash and endsplash.....	3
LS25: Chemsurf face laminate, 3mm edge top, applied 3mm edge backsplash and endsplash .....	4
LS26: Chemsurf face laminate, self edge top, applied self edge backsplash and endsplash .....	4
<b>Epoxy Resin Series: 3mm bevel/radius edges.....</b>	<b>5</b>
ES00: Applied backsplash and endsplash.....	5
ES02: Lipped marine edge top, applied backsplash and endsplash.....	5
<b>Solid Surface Series: Profile edge top, applied .5B/0 profile edge backsplash and endsplash .....</b>	<b>6-7</b>
PS60: 3R/.5B profile top .....	6
PS62: 6B/6B profile top .....	6
PS64: 6R/6R profile top .....	7
<b>Stainless Steel Series.....</b>	<b>8-9</b>
SS00: Formed edge .....	8
SS01: Marine edge.....	9
<b>Phenolic Series .....</b>	<b>10</b>
AP01: Black acid resistant face .....	10
AP02: Decorative acid resistant face .....	10

#### ACCESSORIES

<b>Pedestals .....</b>	<b>11</b>
<b>Chase Struts .....</b>	<b>11</b>
<b>Shelf Supports.....</b>	<b>12</b>
<b>Counter Supports .....</b>	<b>12</b>
<b>Miscellaneous.....</b>	<b>13</b>
<i>Pencil Drawer Tray, Keyboard Tray, Book Compartment, Apron Support, Apron Drawer, Tube Leg, Wall Angle, Full-Depth Shelf, Half-Depth Shelf</i>	



# COUNTERTOPS

## Laboratory Cabinetry and Specialties



Stevens Industries, Inc., from its initial founding in 1956, has provided a complete solution of cabinets and countertops fabricated and coordinated as a full product offering. Stevens Advantage countertops, included with the wide range of cabinets and millwork, can complete the entire project's requirements. Countertops are available in several versions of laminate, solid surface (polymer), epoxy resin, stainless steel and phenolic. The following technical descriptions and design data illustrate the available designs. Beyond those shown, Stevens Millwork can also provide unique special applications.

### GLOSSARY OF TERMS:

3mm Edge:	Edge with high impact 3mm (1/8") thickness extrusion (patterns available from Stevens standard offering)
Backer:	Back underside faced with laminate backer
CARB:	California Air Resources Board
Chemsurf:	Chemical resistant laminate
HGS:	Horizontal Grade Standard
HPL:	Face surfacing in high pressure laminate
Integral Cove:	Backsplash with a concave formed seamless intersection between countertop and backsplash
Marine Edge:	Raised outside countertop edge
MDF:	Medium density fiberboard
NAF:	No added formaldehyde
Self Edge:	Edges laminated with same high pressure laminate as countertop face

### COUNTERTOP PREFIX CODES:

AP:	Phenolic
ES:	Epoxy Resin
LS:	Laminate
PS:	Solid Surface (Polymer)
SS:	Stainless Steel

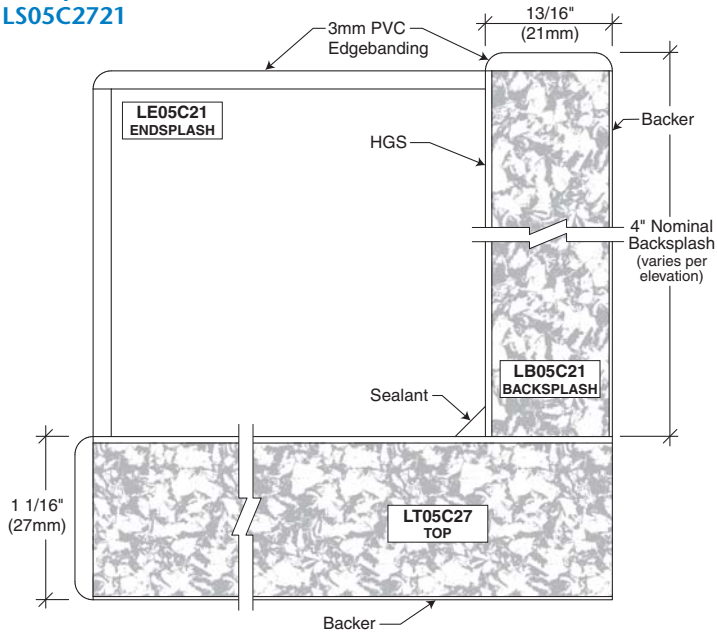
### COUNTERTOP CORE/SUBSTRATE CODES:

C:	CARB particleboard
M:	Moisture-resistant/NAF particleboard
P:	Plywood
R:	Rail
S:	Solid

LT = Laminate Top  
LB = Laminate Backsplash  
LE = Laminate Endsplash

### LS05

Example:  
LS05C2721



### LS05 LAMINATE

- 3mm edge top
- Applied 3mm edge backsplash and endsplash

#### Series/Core Codes:

**LS05C** CARB particleboard  
**LS05M** Moisture-resistant/NAF particleboard  
**LS05P** Plywood

#### LS05C and LS05M available countertop thicknesses:

21mm (13/16")  
27mm (1-1/16")

#### LS05C special order countertop thickness:

30mm (1-3/16")

#### LS05P available countertop thicknesses:

20mm (3/4")  
27mm (1-1/16")

# COUNTERTOPS

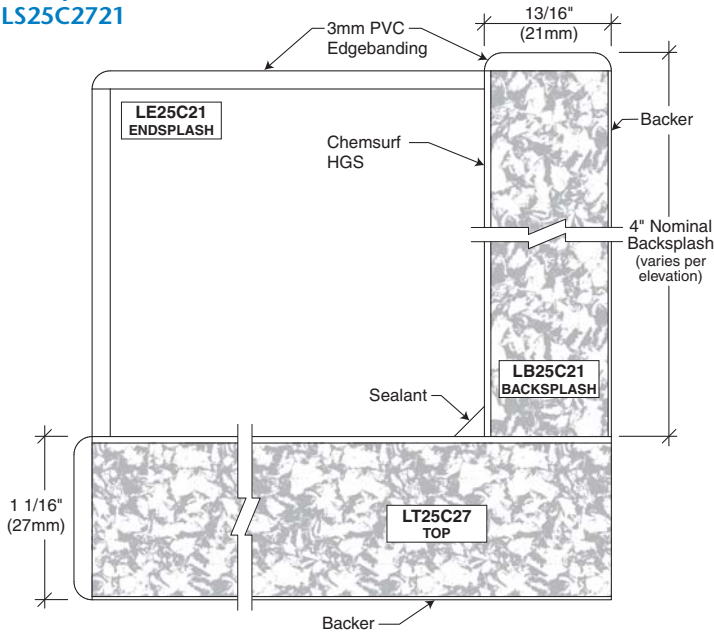
Laminate Series  
Chemsurf

LT = Laminate Top  
LB = Laminate Backsplash  
LE = Laminate Endsplash



## LS25

Example:  
LS25C2721



### LS25 LAMINATE

- Chemsurf face laminate
- 3mm edge top
- Applied 3mm edge backsplash and endsplash

#### Series/Core Codes:

- LS25C** CARB particleboard  
**LS25M** Moisture-resistant/NAF particleboard  
**LS25P** Plywood

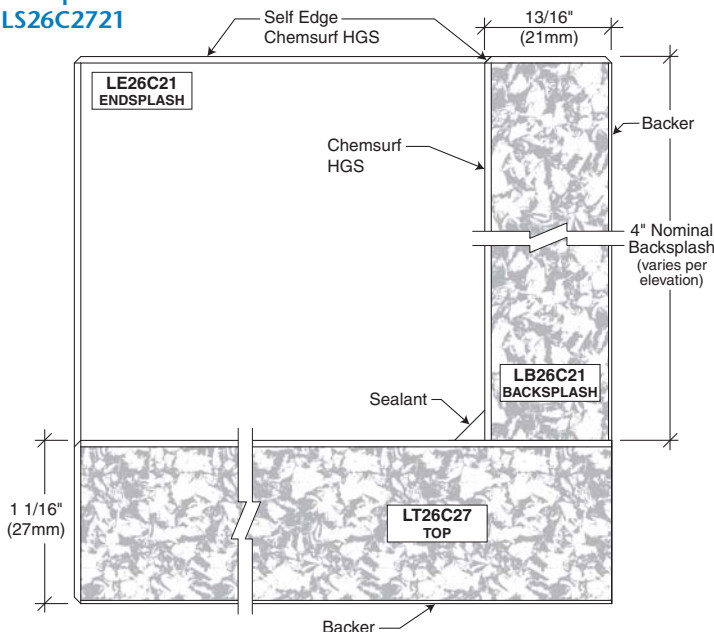
**LS25C** and **LS25M** available countertop thicknesses:  
21mm (13/16")  
27mm (1-1/16")

**LS25C** special order countertop thickness:  
30mm (1-3/16")

**LS25P** available countertop thicknesses:  
20mm (3/4")  
27mm (1-1/16")

## LS26

Example:  
LS26C2721



### LS26 LAMINATE

- Chemsurf face laminate
- Self edge top
- Applied self edge backsplash and endsplash

#### Series/Core Codes:

- LS26C** CARB particleboard  
**LS26M** Moisture-resistant/NAF particleboard  
**LS26P** Plywood

**LS26C** and **LS26M** available countertop thicknesses:  
21mm (13/16")  
27mm (1-1/16")

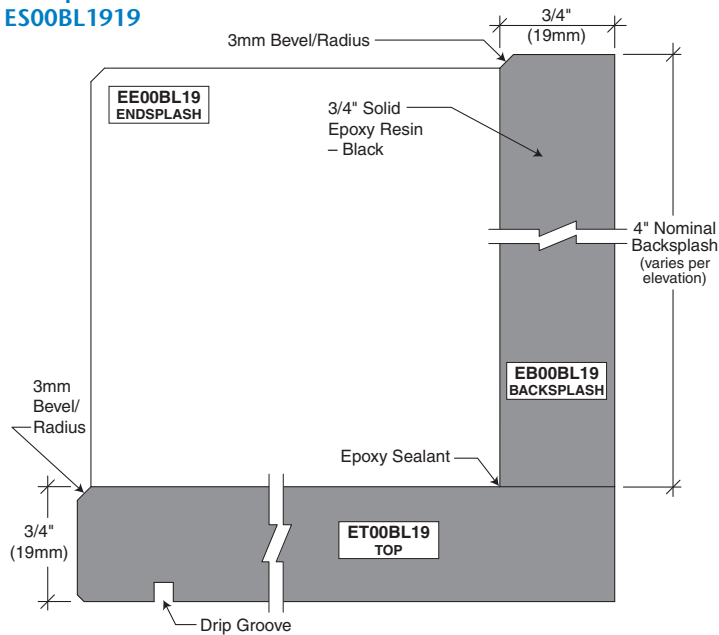
**LS26C** special order countertop thickness:  
30mm (1-3/16")

**LS26P** available countertop thicknesses:  
20mm (3/4")  
27mm (1-1/16")

ET = Epoxy Top  
EB = Epoxy Backsplash  
EE = Epoxy Endsplash

### ES00

Example:  
ES00BL1919



### ES00 EPOXY RESIN

- Solid epoxy resin
- 3mm bevel/radius edges with smooth edge finish
- Applied backsplash and endsplash
- Drip groove
- Butt joints and attachment with field applied epoxy sealant and adhesives
- Epoxy resin coordinated sinks where specified
- Factory fabricated cutouts and drillings

### Series/Color Codes:

ES00BL Black

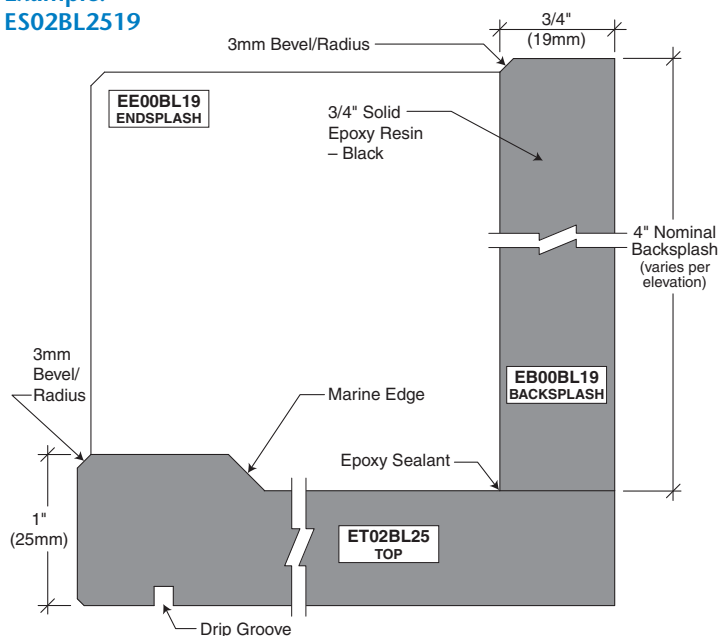
ES00 available countertop thicknesses:

19mm (3/4")

25mm (1")

### ES02

Example:  
ES02BL2519



### ES02 EPOXY RESIN

- Solid epoxy resin
- Lipped marine edge
- 3mm bevel/radius edges with smooth edge finish
- Applied backsplash and endsplash
- Drip groove
- Butt joints and attachment with field applied epoxy sealant and adhesives
- Epoxy resin coordinated sinks where specified
- Factory fabricated cutouts and drillings

### Series/Color Codes:

ES02BL Black

ES02 available countertop thickness:

25mm (1")

# COUNTERTOPS

## Solid Surface Series

PT = Solid Surface Top  
 PB = Solid Surface Backsplash  
 PE = Solid Surface Endsplash



### PS60

Example:  
 PS60C2913

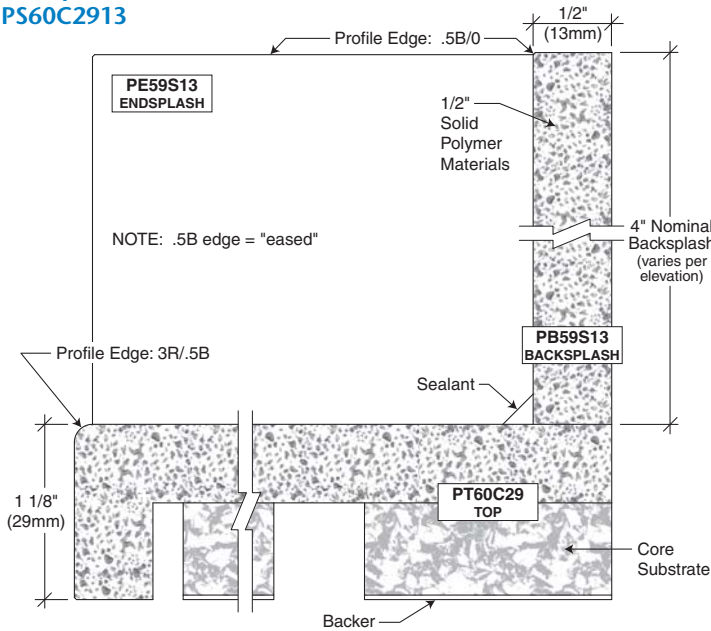
### PS60 SOLID SURFACE

- Solid surface (polymer) materials
- 3R/.5B profile edge top
- Applied .5B/0 profile edge backsplash and endsplash

#### Series/Core Substrate Code:

**PS60C** CARB particleboard

Available countertop thickness:  
 29mm (1-1/8")



### PS62

Example:  
 PS62C2913

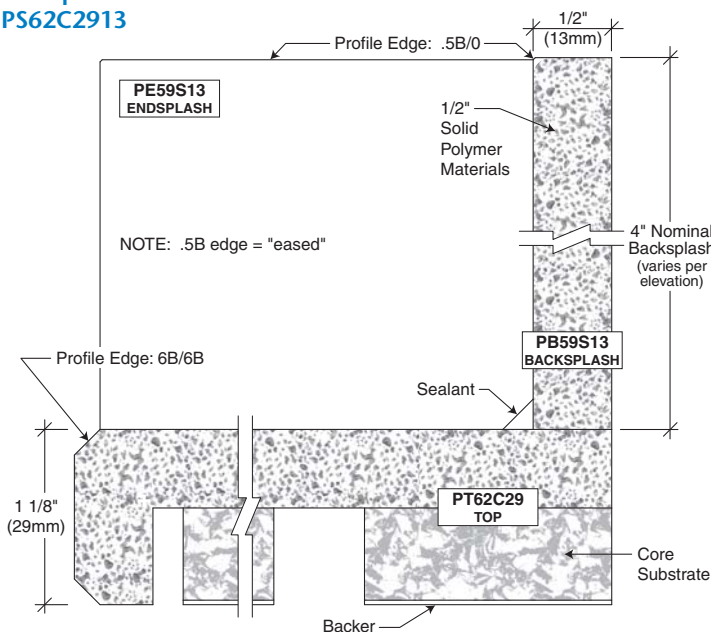
### PS62 SOLID SURFACE

- Solid surface (polymer) materials
- 6B/6B profile edge top
- Applied .5B/0 profile edge backsplash and endsplash

#### Series/Core Substrate Code:

**PS62C** CARB particleboard

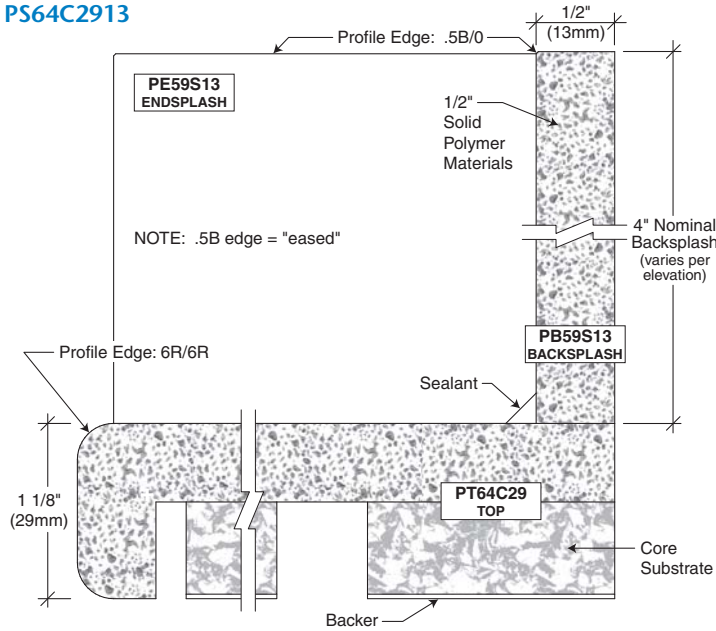
Available countertop thickness:  
 29mm (1-1/8")



PT = Solid Surface Top  
PB = Solid Surface Backsplash  
PE = Solid Surface Endsplash

### PS64

Example:  
PS64C2913



### PS64 SOLID SURFACE

- Solid surface (polymer) materials
- 6R/6R profile edge top
- Applied .5B/0 profile edge backsplash and endsplash

### Series/Core Substrate Code:

**PS64C** CARB particleboard

Available countertop thickness:  
29mm (1-1/8")

# COUNTERTOPS

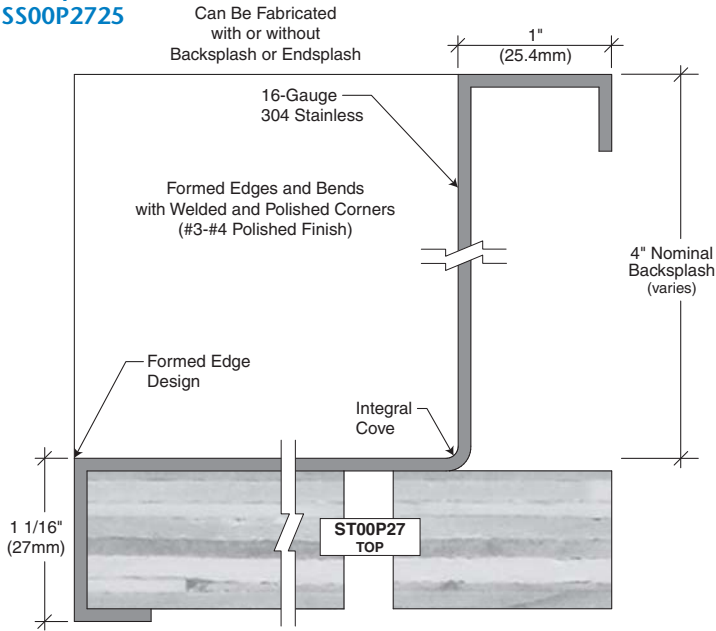
## Stainless Steel Series

ST = Stainless Steel Top



### SS00

Example:  
SS00P2725



### SS00 STAINLESS STEEL

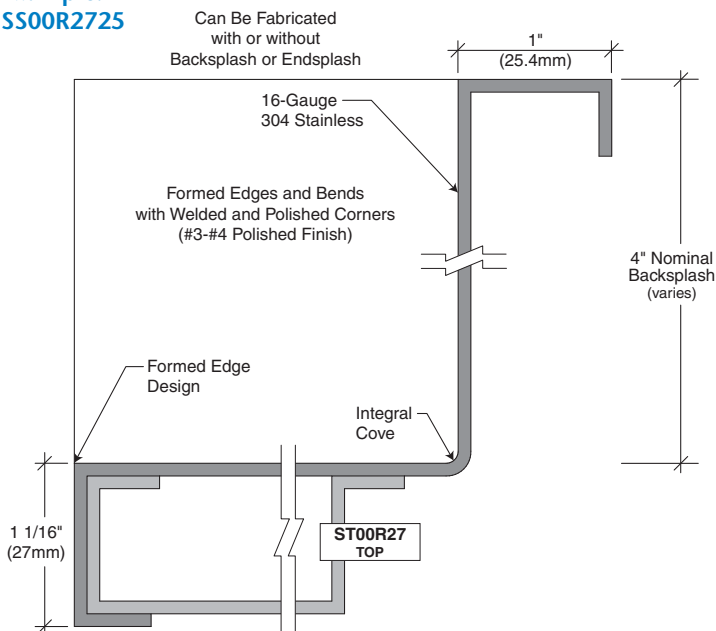
- Formed edge design with integral cove
- Fabricated from 16-gauge 304 stainless steel
- Formed edges and bends with welded and polished corners
- Can be fabricated with or without backsplash or endsplash

### Series/Core Codes:

- SS00P Plywood
- SS00R Stainless Steel Rail

SS00P and SS00R available countertop thickness:  
27mm (1-1/16")

Example:  
SS00R2725

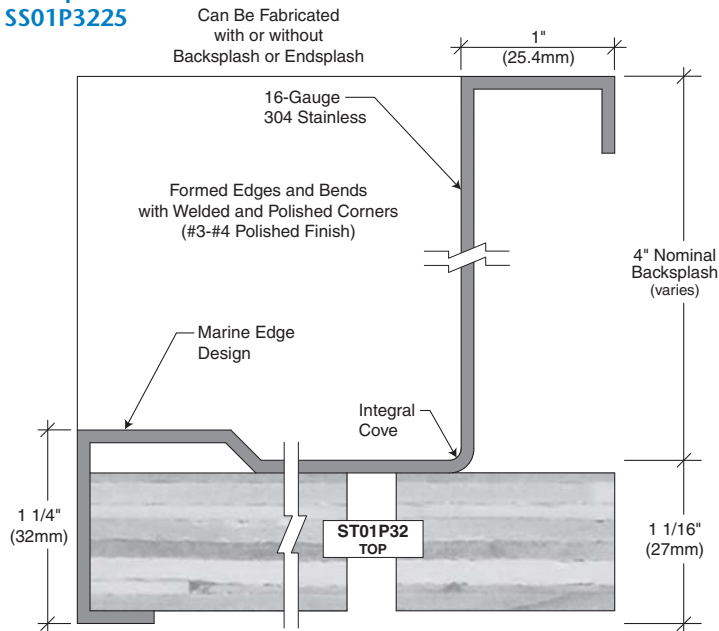




ST = Stainless Steel Top

### SS01

Example:  
SS01P3225



### SS01 STAINLESS STEEL

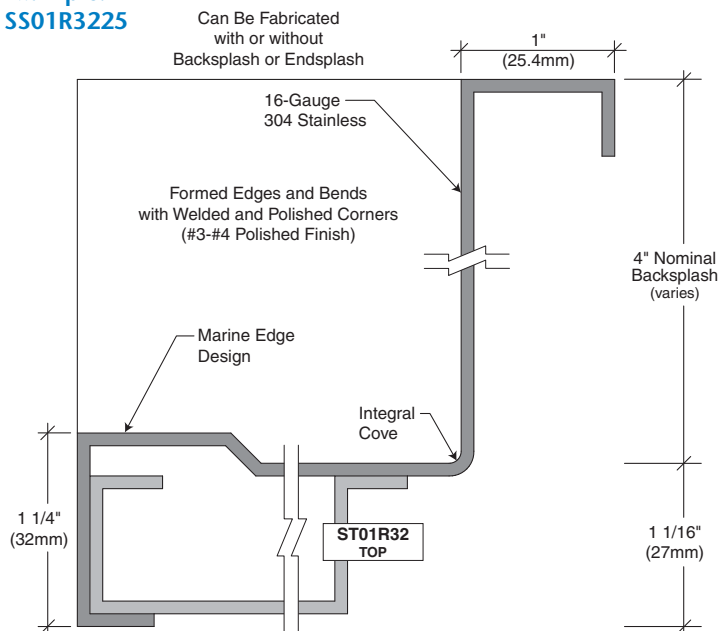
- Marine edge design with integral cove
- Fabricated from 16-gauge 304 stainless steel
- Formed edges and bends with welded and polished corners
- Can be fabricated with or without backsplash or endsplash

#### Series/Core Codes:

- SS01P** Plywood  
**SS01R** Stainless Steel Rail

**SS01P** and **SS01R** available countertop thickness:  
32mm (1-1/4")

Example:  
SS01R3225



# COUNTERTOPS

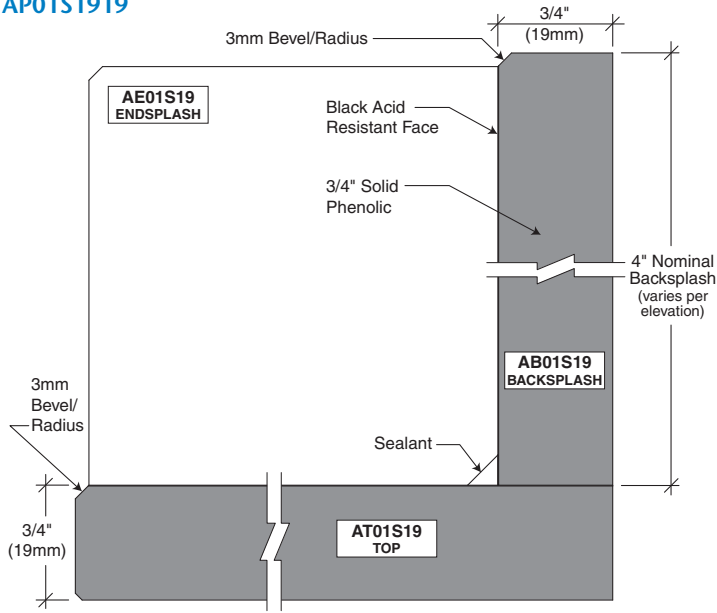
## Phenolic Series

AT = Phenolic Top  
 AB = Phenolic Backsplash  
 AE = Phenolic Endsplash



### AP01

Example:  
 AP01S1919



### AP01 PHENOLIC

- Solid phenolic core with black acid resistant face
- 3mm bevel/radius edges, polished for consistent edge look
- Applied backsplash and endsplash

#### Series/Core Code:

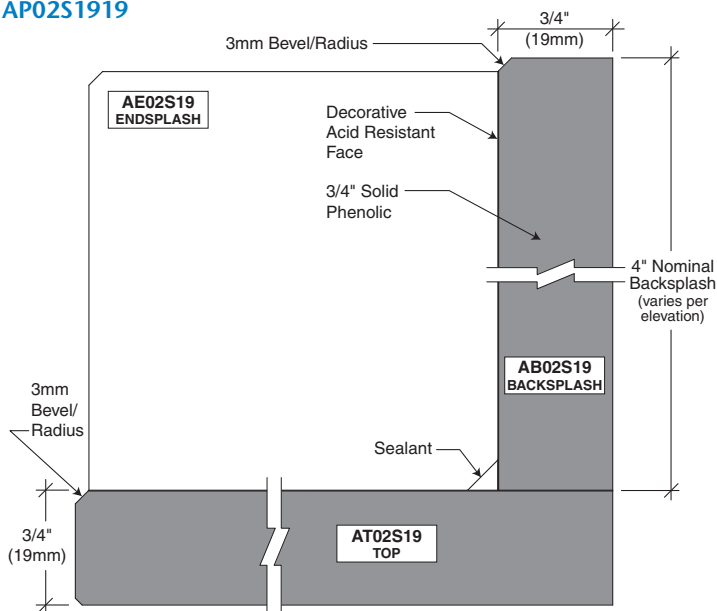
AP01S Solid

AP01S available countertop thicknesses:

- 19mm (3/4")
- 25mm (1")

### AP02

Example:  
 AP02S1919



### AP02 PHENOLIC

- Solid phenolic core with decorative acid resistant face
- 3mm bevel/radius edges, polished for consistent edge look
- Applied backsplash and endsplash












#### Series/Core Code:

AP02S Solid

AP02S available countertop thicknesses:

- 19mm (3/4")
- 25mm (1")


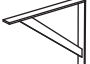
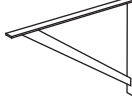
## Pedestals/Chase Struts

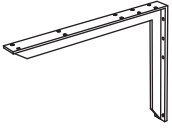
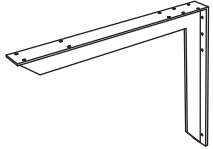
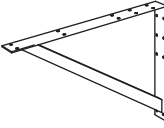
Pedestals					Chase Struts										
W	H	D	W	H	D	W	H	D							
00	29	14	00	29	14	00	29	14							
01	32	17	01	32	17	01	32	17							
	35	19		35	19		35	19							
	39	23		39	23		39	23							
	41			41			41								
			Apron Pedestal												
						Actual depths match chase sizes shown in Design Information section (see chart below)									
<b>10812</b>		<b>10816</b>		<b>10820</b>		<b>10824</b>		<b>10828</b>							
															
Standard Wire Chase Cutout		Standard Wire Chase Cutout		Standard Wire Chase Cutout		Standard Wire Chase Cutout		Standard Wire Chase Cutout							
<b>10813</b>		<b>10817</b>		<b>10821</b>		<b>10825</b>		<b>10829</b>							
															
Custom Wire Chase Cutout		Custom Wire Chase Cutout		Custom Wire Chase Cutout		Custom Wire Chase Cutout		Custom Wire Chase Cutout							
<b>10814</b>		<b>10818</b>		<b>10822</b>		<b>10826</b>		<b>10830</b>							
Same as 10813, except has Custom Wire Chase Cutout		Same as 10817, except has Custom Wire Chase Cutout		Same as 10821, except has Custom Wire Chase Cutout		Same as 10825, except has Custom Wire Chase Cutout		Same as 10829, except has Custom Wire Chase Cutout							
								<table border="1"> <thead> <tr> <th>Nominal Depth</th> <th>Actual Depth</th> </tr> </thead> <tbody> <tr> <td>8</td> <td>Adjustable for chase sizes 5<sup>7</sup>/<sub>8</sub> (150mm) to 8<sup>7</sup>/<sub>16</sub> (214mm)</td> </tr> <tr> <td>14</td> <td>Adjustable for chase sizes 10<sup>15</sup>/<sub>16</sub> (278mm) to 13<sup>15</sup>/<sub>16</sub> (354mm)</td> </tr> </tbody> </table>		Nominal Depth	Actual Depth	8	Adjustable for chase sizes 5 <sup>7</sup> / <sub>8</sub> (150mm) to 8 <sup>7</sup> / <sub>16</sub> (214mm)	14	Adjustable for chase sizes 10 <sup>15</sup> / <sub>16</sub> (278mm) to 13 <sup>15</sup> / <sub>16</sub> (354mm)
Nominal Depth	Actual Depth														
8	Adjustable for chase sizes 5 <sup>7</sup> / <sub>8</sub> (150mm) to 8 <sup>7</sup> / <sub>16</sub> (214mm)														
14	Adjustable for chase sizes 10 <sup>15</sup> / <sub>16</sub> (278mm) to 13 <sup>15</sup> / <sub>16</sub> (354mm)														
								<b>10933</b>							
															

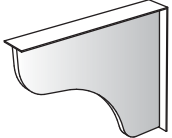
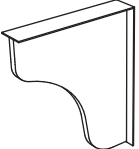
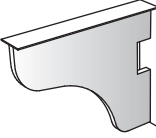
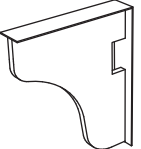
# ACCESSORIES

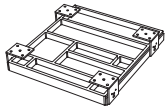
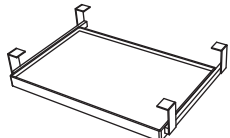
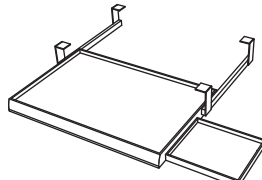
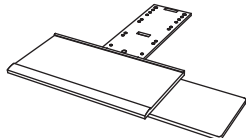
## Shelf Supports/Counter Supports








			Shelf Supports					
W	H	D	W	H	D	W	H	D
01	05	07	01	08	11	01	10	15
Black, White, or Grey			Black, White, or Grey			Black, White, or Grey		
<b>10842</b>			<b>10843</b>			<b>10844</b>		
								

			Counter Supports					
W	H	D	W	H	D	W	H	D
02	16	21	03	21	28	02	16	21
Black or Pearl White			Black or Pearl White			Black or Pearl White		
<b>10836</b>			<b>10837</b>			<b>10840</b>		
								

						Counter Supports		
W	H	D	W	H	D	W	H	D
00	18	21	00	21	18	00	18	21
Laminate Panel with Black or Pearl White Metal			Laminate Panel with Black or Pearl White Metal			Laminate Panel with Black or Pearl White Metal Standard Wire Chase Cutout		
<b>10858</b>			<b>10859</b>			<b>10860</b>		
								
						<b>10861</b>		
								

Pencil Drawer Tray	Keyboard Tray	Keyboard Tray with Mouse Extension	Articulating Keyboard Tray with Mouse Extension
Black Molded Compartment Tray	Black Molded Keyboard Tray 22W x 9D Keyboard Space	Black Molded Keyboard Tray 22W x 9D Keyboard Space 8W x 9D Mouse Extension (Left or Right)	Black Articulating Adjustable Arm and Keyboard Tray 21W x 9D Keyboard Space 9W x 9D Mouse Extension
13W x 14D 22W x 16D	<b>10879</b> <b>10882</b>	<b>10880</b>	<b>10881</b>
			

Book Compartment	Double Book Compartment	Apron Support	Apron Drawer	Double Apron Drawer																																																																											
<table border="1"> <thead> <tr> <th>W</th> <th>H</th> <th>D</th> </tr> </thead> <tbody> <tr><td>15</td><td>27</td><td>04</td></tr> <tr><td>18</td><td>30</td><td>06</td></tr> <tr><td>21</td><td>33</td><td></td></tr> <tr><td>24</td><td>36</td><td></td></tr> </tbody> </table> <p>04H = 4" 06H = 5<sup>13</sup>/<sub>16</sub>"</p>	W	H	D	15	27	04	18	30	06	21	33		24	36		<table border="1"> <thead> <tr> <th>W</th> <th>H</th> <th>D</th> </tr> </thead> <tbody> <tr><td>30</td><td>04</td><td>19</td></tr> <tr><td>36</td><td>06</td><td>23</td></tr> <tr><td>42</td><td></td><td></td></tr> <tr><td>48</td><td></td><td></td></tr> </tbody> </table> <p>04H = 4" 06H = 5<sup>13</sup>/<sub>16</sub>"</p>	W	H	D	30	04	19	36	06	23	42			48			<table border="1"> <thead> <tr> <th>W</th> <th>H</th> <th>D</th> </tr> </thead> <tbody> <tr><td>24</td><td>48</td><td>04</td></tr> <tr><td>30</td><td>60</td><td>06</td></tr> <tr><td>36</td><td>96</td><td></td></tr> <tr><td>42</td><td></td><td></td></tr> </tbody> </table> <p>04H = 4" 06H = 5<sup>13</sup>/<sub>16</sub>"</p>	W	H	D	24	48	04	30	60	06	36	96		42			<table border="1"> <thead> <tr> <th>W</th> <th>H</th> <th>D</th> </tr> </thead> <tbody> <tr><td>15</td><td>27</td><td>04</td></tr> <tr><td>18</td><td>30</td><td>06</td></tr> <tr><td>21</td><td>33</td><td></td></tr> <tr><td>24</td><td>36</td><td></td></tr> </tbody> </table> <p>04H = 4" 06H = 5<sup>13</sup>/<sub>16</sub>"</p>	W	H	D	15	27	04	18	30	06	21	33		24	36		<table border="1"> <thead> <tr> <th>W</th> <th>H</th> <th>D</th> </tr> </thead> <tbody> <tr><td>30</td><td>04</td><td>19</td></tr> <tr><td>36</td><td>06</td><td>23</td></tr> <tr><td>42</td><td></td><td></td></tr> <tr><td>48</td><td></td><td></td></tr> </tbody> </table> <p>04H = 4" 06H = 5<sup>13</sup>/<sub>16</sub>"</p>	W	H	D	30	04	19	36	06	23	42			48		
W	H	D																																																																													
15	27	04																																																																													
18	30	06																																																																													
21	33																																																																														
24	36																																																																														
W	H	D																																																																													
30	04	19																																																																													
36	06	23																																																																													
42																																																																															
48																																																																															
W	H	D																																																																													
24	48	04																																																																													
30	60	06																																																																													
36	96																																																																														
42																																																																															
W	H	D																																																																													
15	27	04																																																																													
18	30	06																																																																													
21	33																																																																														
24	36																																																																														
W	H	D																																																																													
30	04	19																																																																													
36	06	23																																																																													
42																																																																															
48																																																																															
<b>10872</b>	<b>10874</b>	<b>10870</b>	<b>10876</b>	<b>10878</b>																																																																											
																																																																															

Tube Leg	Wall Angle	Full-Depth Shelf	Half-Depth Shelf																																																																		
<table border="1"> <thead> <tr> <th>W</th> <th>H</th> <th>D</th> </tr> </thead> <tbody> <tr><td>02</td><td>29</td><td>02</td></tr> <tr><td></td><td>32</td><td></td></tr> <tr><td></td><td>35</td><td></td></tr> </tbody> </table> <p>Adjustable Leveler Powder Coated Black or Grey Chrome</p>	W	H	D	02	29	02		32			35		<table border="1"> <thead> <tr> <th>W</th> <th>H</th> <th>D</th> </tr> </thead> <tbody> <tr><td>21</td><td>01</td><td>01</td></tr> </tbody> </table> <p>To Attach Countertop to Wall or Adjacent Structure Black or Galvanized</p>	W	H	D	21	01	01	<table border="1"> <thead> <tr> <th>W</th> <th>H</th> <th>D</th> </tr> </thead> <tbody> <tr><td>12</td><td>33</td><td>00</td></tr> <tr><td>15</td><td>36</td><td>17</td></tr> <tr><td>18</td><td>39</td><td>19</td></tr> <tr><td>21</td><td>42</td><td>23</td></tr> <tr><td>24</td><td>45</td><td></td></tr> <tr><td>27</td><td>48</td><td></td></tr> <tr><td>30</td><td></td><td></td></tr> </tbody> </table>	W	H	D	12	33	00	15	36	17	18	39	19	21	42	23	24	45		27	48		30			<table border="1"> <thead> <tr> <th>W</th> <th>H</th> <th>D</th> </tr> </thead> <tbody> <tr><td>12</td><td>33</td><td>00</td></tr> <tr><td>15</td><td>36</td><td>23</td></tr> <tr><td>18</td><td>39</td><td></td></tr> <tr><td>21</td><td>42</td><td></td></tr> <tr><td>24</td><td>45</td><td></td></tr> <tr><td>27</td><td>48</td><td></td></tr> <tr><td>30</td><td></td><td></td></tr> </tbody> </table>	W	H	D	12	33	00	15	36	23	18	39		21	42		24	45		27	48		30		
W	H	D																																																																			
02	29	02																																																																			
	32																																																																				
	35																																																																				
W	H	D																																																																			
21	01	01																																																																			
W	H	D																																																																			
12	33	00																																																																			
15	36	17																																																																			
18	39	19																																																																			
21	42	23																																																																			
24	45																																																																				
27	48																																																																				
30																																																																					
W	H	D																																																																			
12	33	00																																																																			
15	36	23																																																																			
18	39																																																																				
21	42																																																																				
24	45																																																																				
27	48																																																																				
30																																																																					
<b>10832</b>	<b>10838</b>	<b>10931</b>	<b>10932</b>																																																																		
